

# Cylindrical Safety Magnetic Sensors SMS-A2P-02



- Safety magnetic sensors for applications up to Safety Category 4 in conformity with EN 954-1
- 1NO + 1NC output functions
- Cable output connection
- Multiple Flux coding

## Product Description

The SMS-A2P-02 is designed in conformity with EN 292-1, EN 292-2, EN 60204-1, EN 954-1 and EN 1088. It is characterized by multiple flux coding and is suited for applications up to safety Category 4.

## Ordering Key

**SMS-A2P-02**

Safety Magnetic sensor \_\_\_\_\_  
 Diameter \_\_\_\_\_  
 Case Material \_\_\_\_\_  
 Contact Type \_\_\_\_\_

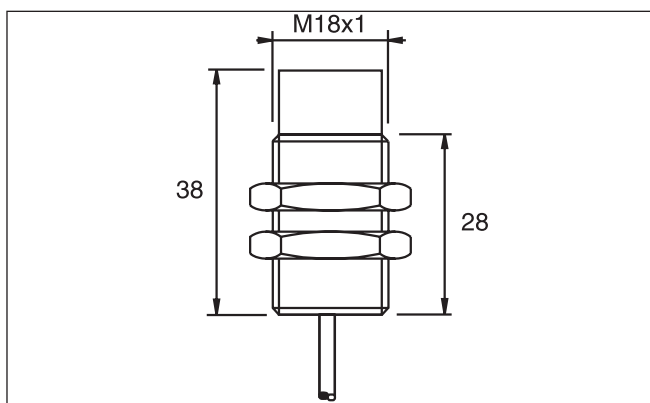
## Type Selection

Output function	Application Safety Category	Ordering no.
1NO + 1NC	4	SMS-A2P-02

## Specifications

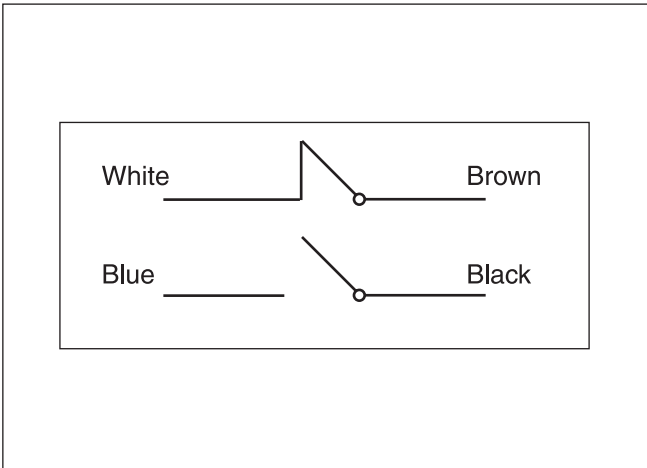
Operating Distance ON	15 ± 4 mm	External Dimensions	M18x1
Release Distance OFF	20 ± 6 mm	Protection Degree	IP 67
RESET Distance	25 ± 7 mm	Operating Temperature	-25 to +70 °C
Suitable Magnetic Unit	CLS-A2	Storage Temperature	-25 to +70 °C
Output Function	1NO + 1NC	Output Connection	Cable (PVC, AWG 26, L=2m 4x0.15 mm <sup>2</sup> )
Max Switching Voltage	100 Vac	Case	Plastic
Max Switching Current	0.25 A		
Max Switching Power	5 VA		

## Dimensions

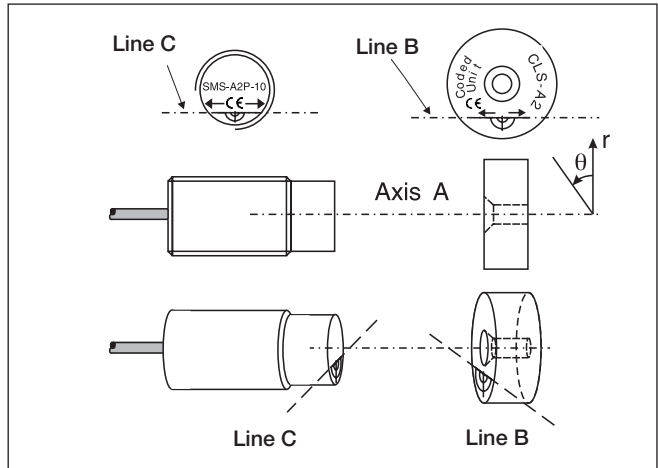




## Wiring Diagrams



## Operating directions



## Application

