

Rectangular Safety Magnetic Sensors SMS-03/NC



- Safety magnetic sensors for applications up to Safety Category 4 in conformity with EN 954-1
- 2NO output functions
- 1NC auxiliary output
- Cable output connection
- Rectangular case
- Multiple Flux coding

Product Description

The model SMS-03/NC is characterized by multiple flux coding and by the 2NO safety outputs; it is also provided with a signalling NC contact.

Ordering Key

SMS-03/NC

Safety Magnetic sensor
Contact Type
Signalling Contact

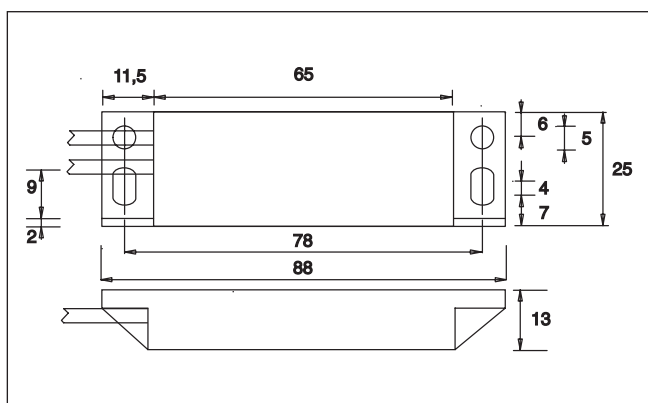
Type Selection

Operating distance	Output function	Ordering no.
20 mm NO 17 mm NC aux.	2NO safety outputs 1NC auxiliary output	SMS-03/NC

Specifications

Operating Distance ON	20 ± 3 mm	External Dimensions	88x25x13 mm
Release Distance OFF	22 ± 5 mm	Protection Degree	IP 67
RESET Distance	22 ± 5 mm	Operating Temperature	-25 to +70 °C
Suitable Magnetic Unit	CLS	Storage Temperature	-25 to +70 °C
Output Function	2NO + 1NC auxiliary	Output Connection	Cable (PVC, AWG 26, L=2m L=2m 4x0.15 mm ²)
Max Switching Voltage	100 Vac	Case	Plastic
Max Switching Current	0.25 A		
Max Switching Power	5 VA		

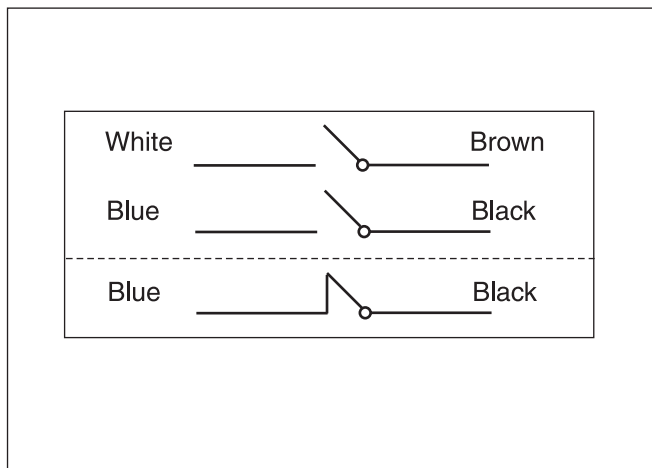
Dimensions



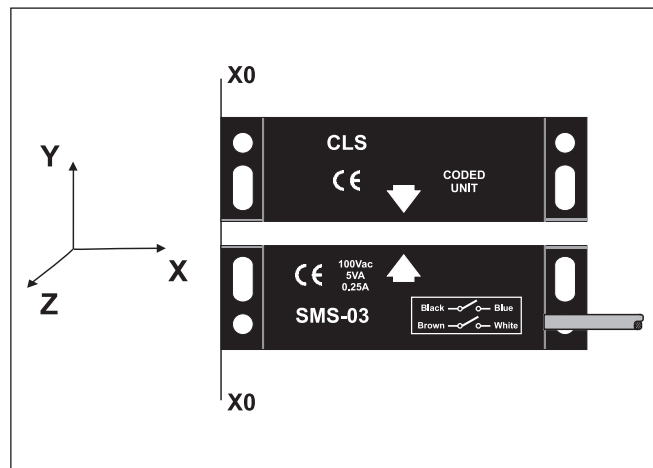
Specifications are subject to change without notice (10.01.04)



Wiring Diagrams



Operating directions



Application

