

Rectangular Safety Magnetic Sensors

SMS-03

SMS-03+CM-1A4/0,3MT

CARLO GAVAZZI



- Safety magnetic sensors for applications up to Safety Category 4 in conformity with EN 954-1
- 2NO output functions
- Cable or M8 pig tail output connection
- Rectangular case
- Multiple Flux coding

Product Description

The models SMS-03 and SMS-03+CM-1A4/0,3MT are characterized by multiple flux coding and 2 NO safety outputs. The sensor SMS-03+CM-1A4/0,3MT is provided with pig tail output connection ended with a four-pole M12 connector.

Ordering Key **SMS-03+CM-1A4/0,3MT**

Safety Magnetic Sensor _____
 Contact Type _____
 Other feature _____
 Cable lenght _____

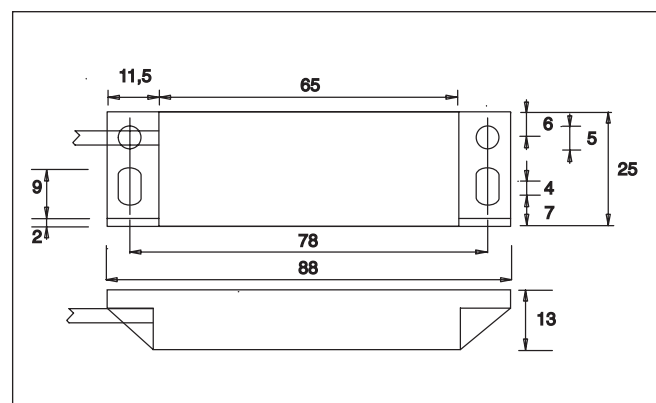
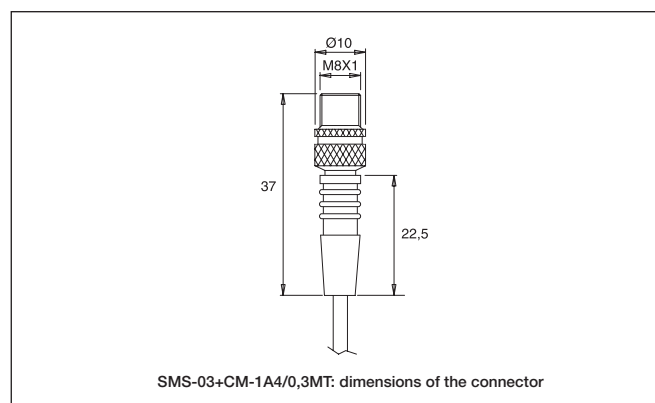
Type Selection

Output Connection	Output function	Ordering no.
Cable PVC M12 4-pole connector	2NO safety outputs 2NO safety outputs	SMS-03 SMS-03+CM-1A4/0,3MT

Specifications

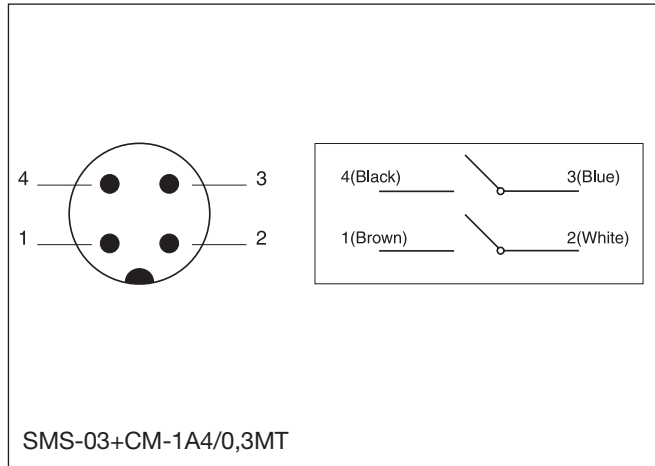
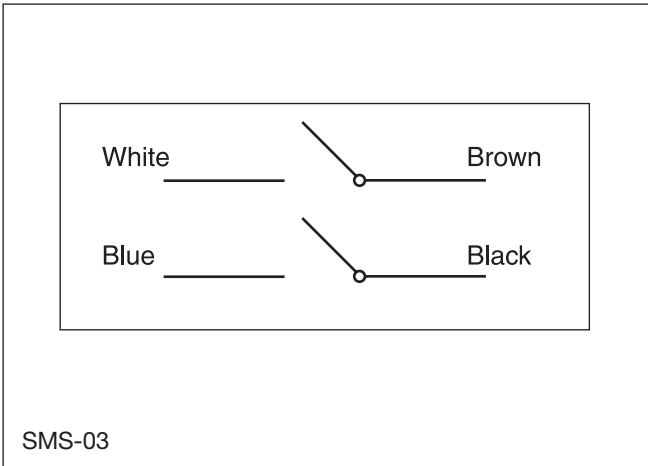
Operating Distance ON	20 ± 3 mm	External Dimensions	88x25x13 mm
Release Distance OFF	22 ± 5 mm	Protection Degree	IP 67
RESET Distance	22 ± 5 mm	Operating Temperature	-25 to +70 °C
Suitable Magnetic Unit	CLS	Storage Temperature	-25 to +70 °C
Output Function	2NO	Output Connection SMS-03	Cable (PVC, AWG 26, L=2m 4x0.15 mm ²)
Max Switching Voltage	100 Vac	SMS-03+CM-1A4/0,3MT	Cable L=0.3 m ended with a 4 pole M12 connector
Max Switching Current	0.25 A	Case	Plastic
Max Switching Power	5 VA		

Dimensions

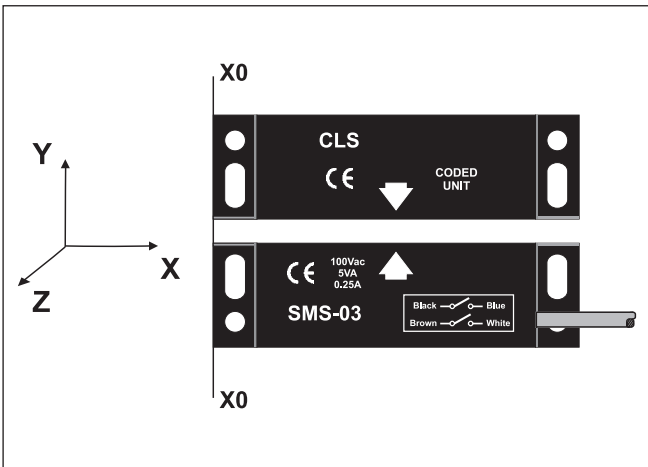


Specifications are subject to change without notice (10.01.04)

Wiring Diagrams



Operating directions



Application

