

Safety Magnetic Sensors Magnetic Units CLS CLS-A2



- Multiple flux coded magnets
- Rectangular or cylindrical shape

Product Description

The CLS coded magnet used together with SMS Safety magnetic sensors. The series includes multiple flux rectangular and cylindrical magnets to be

Ordering Key

CLS-A2

Safety Magnetic sensor
Other features

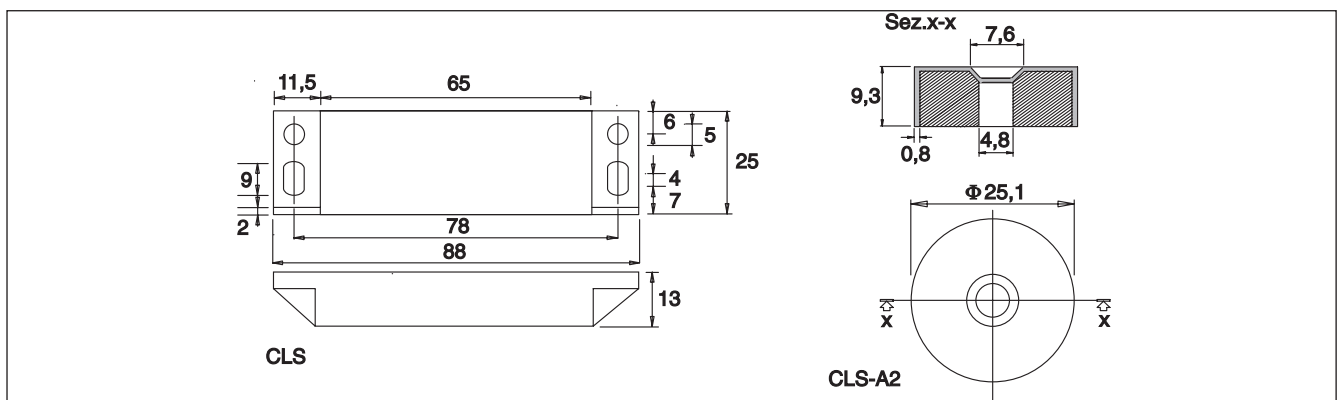
Type Selection

Body shape	Dimensions	Ordering no. Multiple flux
Rectangular	88 x 25 x 13 mm	CLS
Cylindrical	Ø 25.1 x 9.3	CLS-A2

Specifications

Case	Plastic	Storage temperature	-25 to +70 °C
Operating temperature	-25 to +70 °C	Protection degree	IP 67

Dimensions





www.GavazziOnline.com

www.GavazziOnline.com is an information laden website which offers you the ability to download data sheets, specify products, check pricing and availability, track shipping and so much more:



Download Brochures



Easy-to-use Product Selection Guides



New Product Press Releases



Industry Specific Brochures/Flyers



Latest Events



Industry Specific Web Pages



Data Sheets



User Manuals