

Proximity Sensors Inductive Analogue Voltage Output, Nickel-plated Brass Housing Types IA, M18, 30

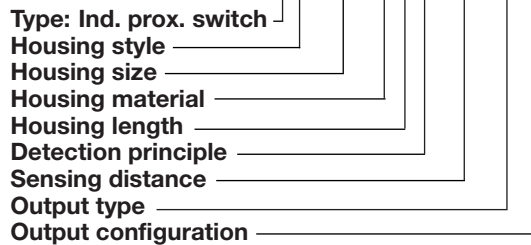


- Nickel-plated brass housing
- Housing diameter: 18 and 30 mm
- Sensing distance: 0 - 5 mm, 3.5 - 11 mm
- Power supply: 12/17 to 30 VDC
- Output: 0-1.6 V, 0-10 V
- Protection degree IP67
- 2 m PVC cable

Product Description

Inductive proximity sensor with analogue 0-1.6 or 0-10 V voltage output. The analogue signal can be directly connected to measuring systems. Nickel-plated brass housing, M18 and M30. Connection with 2 m PVC cable.

Ordering Key **IA 18 ALC 05 AH-K**



Type Selection

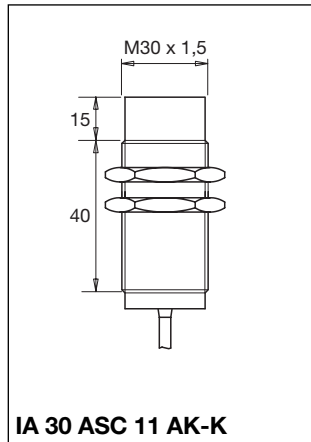
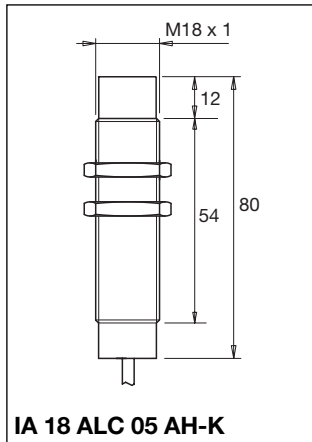
Detecting range	Output voltage	Housing dimensions	Connection	Ordering no. Analogue Voltage Output, PNP
0 - 5 mm	0-1.6 V	M18	Cable, 2 m	IA 18 ALC 05 AH-K
3.5 - 11 mm	0-10 V	M30	Cable, 2 m	IA 30 ASC 11 AK-K

Both types for non-flush mounting

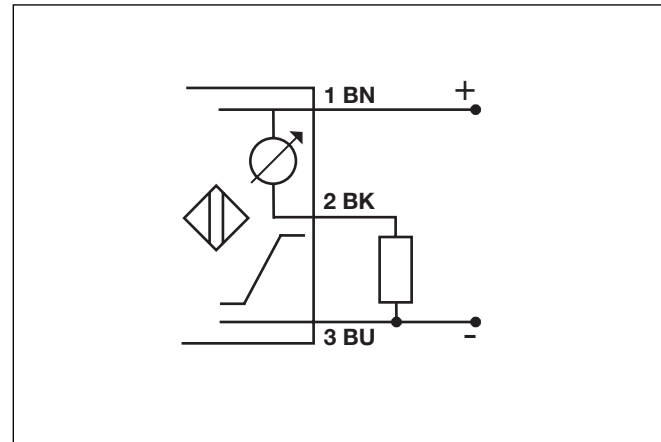
Specifications

Rated operational volt. (U_B) IA 18 ALC 05 AH-K IA 30 ASC 11 AK-K	12 to 30 VDC (ripple included) 17 to 30 VDC (ripple included)	Ambient temperature	
Ripple	≤ 10%	Operating IA 18 ALC 05 AH-K IA 30 ASC 11 AK-K Storage	-25° to +70°C (-13° to +158°F) 0° to +60°C (32° to +140°F) -30° to +75°C (-22° to +167°F)
Output voltage IA 18 ALC 05 AH-K IA 30 ASC 11 AK-K	0 to 1.6 V 0 to 10 V	Degree of protection	IP 67 (Nema 1, 3, 4, 6, 13)
No-load supply current (I₀) IA 18 ALC 05 AH-K IA 30 ASC 11 AK-K	< 25 mA < 33 mA	Housing material	Nickel-plated brass
Load	> 1 kΩ	CE-marking	Yes
Detecting range IA 18 ALC 05 AH-K IA 30 ASC 11 AK-K	0 - 5 mm 3.5 - 11 mm	Connection Cable	2 m, PVC, AWG 22
Linearity error IA 18 ALC 05 AH-K IA 30 ASC 11 AK-K	< 5% < 1.5%		
Temperature drift IA 18 ALC 05 AH-K IA 30 ASC 11 AK-K	< 10% < 4%		

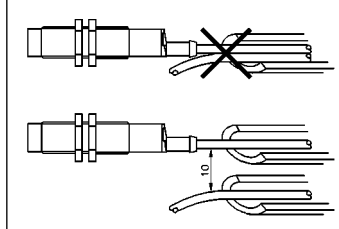
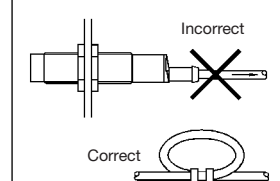
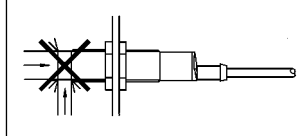
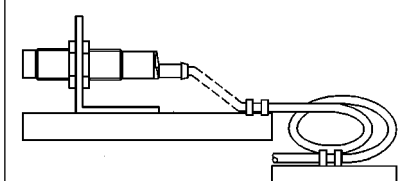
Dimensions



Wiring Diagram



Installation Hints

<p><i>To avoid interference from inductive voltage/current peaks, separate the prox. switch power cables from any other power cables, e.g. motor, contactor or solenoid cables</i></p> 	<p><i>Relief of cable strain</i></p>  <p>The cable should not be pulled</p>	<p><i>Protection of the sensing face</i></p>  <p>A proximity switch should not serve as mechanical stop</p>	<p><i>Switch mounted on mobile carrier</i></p>  <p>Any repetitive flexing of the cable should be avoided</p>
--	---	--	--