

Proximity Sensors Inductive Flat pack Polycarbonate Housing Types EI 5510/EI 5515, AC-Types

CARLO GAVAZZI



- Sensing distance 10 or 15 mm
- Rated operational voltage: 20 to 250 VAC
- Output: SCR, make or break switching
- LED indication for output ON
- Protection: Transients
- Inductive, Capacitive and Photoelectric flat pack series in PC housing, IP 67
- Cable and plug versions

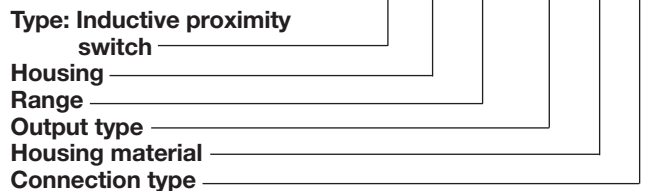
Product Description

AC inductive proximity switches with sensing distance 10 mm mounted in metal or 15 mm non-flush mounted. Flat pack housing size (W x H x D)

35 x 55 x 15 mm made in polycarbonate. Easy mounting with only two M 3.5 screws. Ideal for use in conveying and material handling applications.

Ordering Key

EI 55 10 TBO P-6



Type Selection, AC Types

Housing diameter W x H x D	Rated operating dist. (S _n)	Ordering no. Cable Make switching	Ordering no. Cable Break switching	Ordering no. Plug Make switching	Ordering no. Plug Break switching
35 x 55 x 15	10 mm	EI 5510 TBOP	EI 5510 TBOP	EI 5510 TBOP-6	EI 5510 TBOP-6
	15 mm	EI 5515 TBOP	EI 5515 TBOP	EI 5515 TBOP-6	EI 5515 TBOP-6

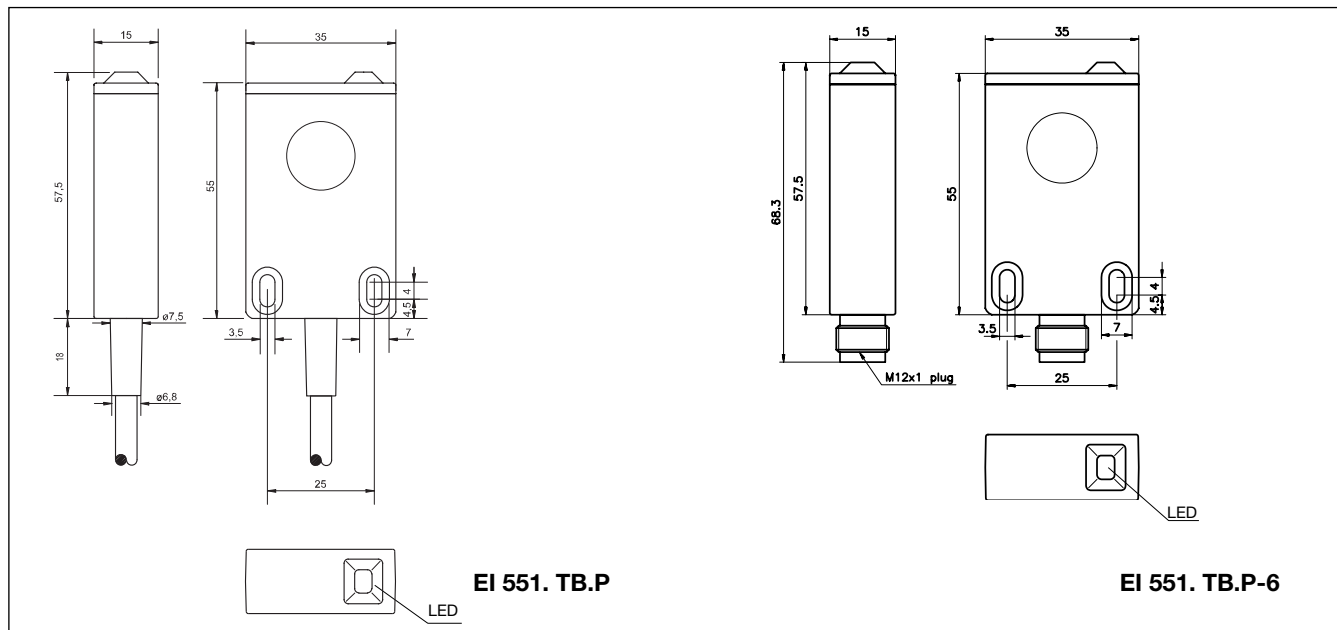
Specifications

Rated operational volt. (U _e) (U _B)	24 to 240 VAC 20 to 250 VAC, 50 to 60 Hz	Effective operating dist. (S _r)	0.9 x S _n ≤ S _r ≤ 1.1 x S _n
Rated operational current (I _e) Continuous Short-time	10 to 500 mA ≤ 2.5 A, max. 20 ms	Usable operating dist. (S _u)	0.9 x S _r ≤ S _u ≤ 1.1 x S _r
Minimum load current (I _o)	≤ 5 mA	Ambient temperature Operating Storage	-25° to +70°C (-13° to +158°F) -30° to +80°C (-22° to +176°F)
OFF-state current (I _r)	20mA	Degree of protection	IP 67 (Nema 1, 3, 4, 6, 13)
Voltage drop (U _d)	≤ 8 VAC at max. load	Housing material	Polycarbonate, grey
Protection	Transients	Connection Cable Plug Cables for plug (-6)	2 m, 4 x 0.3 mm ² grey PUR, oil proof M 12 x 1 (double keyed) CONH6A-xx
Transient voltage	Level 3, 2.5 kV, acc. to IEC-60255-5 (500Ω, 0.5 J)	Weight	125 g cable version 40 g plug version
Power ON delay	≤ 100 ms	EMC ratings	Acc. to EN 50 082-2
Frequency of operating cycles (f)	5 Hz	EN 61 000-4-2 ESD	
Indication for output ON	LED, yellow	Contact discharge	4 kV
Assured operating dist. (S _a)	0 ≤ S _a ≤ 0.81 S _n	Air discharge	8 kV
Repeat accuracy (R)	≤ 5%	EN 61 000-4-4 Fast transient	
Hysteresis (H) (Differential travel)	3 to 20% of sensing distance	Rep. freq. 5 kHz	2 kV
		ENV 50 140 RF Electromagnetic AM, 80-1000 mHz	10 V/m
		ENV 50 141 Conducted Disturbance	10 V/m
		ENV 50 204 RF Electromagnetic field PM, 80-900 MHz	10 V/m

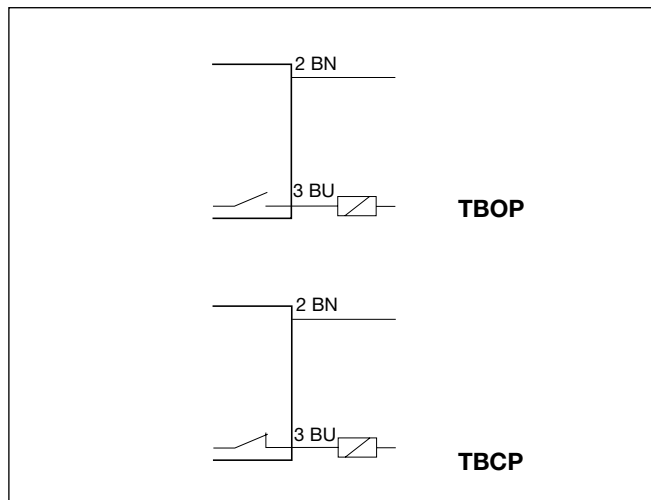
Specifications are subject to change without notice



Dimensions



Wiring Diagrams



Accessories

- Plugs CONH6A.. serie, please refer to "Accessories".

Delivery Contents

- Inductive switch: EI 551.
- **Packaging:** Corrugated cardboard (environmentally friendly recycling material).