

# Proximity Magnetic Sensors Cylindrical Body, FS Series



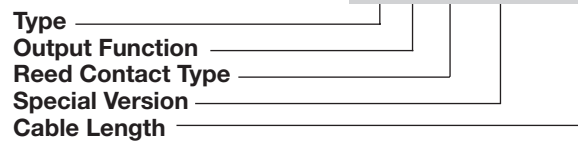
- Cylindrical case
- Plastic or brass body
- M10, M12, M16 or Ø 13,5 diameter
- NO, NC, CO or Bistable output functions
- Front side switching

## Product Description

Available in several versions with plastic or brass body, the sensors of the FS series have different dimensions and output contacts. The models with output functions NO (Normally Open), or Change-over can be mounted directly on ferromagnetic supports.

## Ordering Key

**FS.A.2/S3/2MT**



## Type Selection

External dimensions	Output function	References
Ø 13,5 mm	NO	FS.A.2 FS.A.8
	NC	FS.C.2 FS.C.8
	Change-over	FS.S.2
M 10 x 1,25	NO	FS.A.2/S3/2MT
M 12 x 1	Change-over	FS.S.2/S1/2MT
	NO	FS.A.2/S4/2MT
M 16 x 1,5	Change-over	FS.S.2/S4/2MT
	Bistable	FS.B.2/2MT

## General specification

Case	Plastic
Protection degree	IP67
Operating temperature	-25 to +75 °C
Output connection	PVC Cable

## Electrical specifications

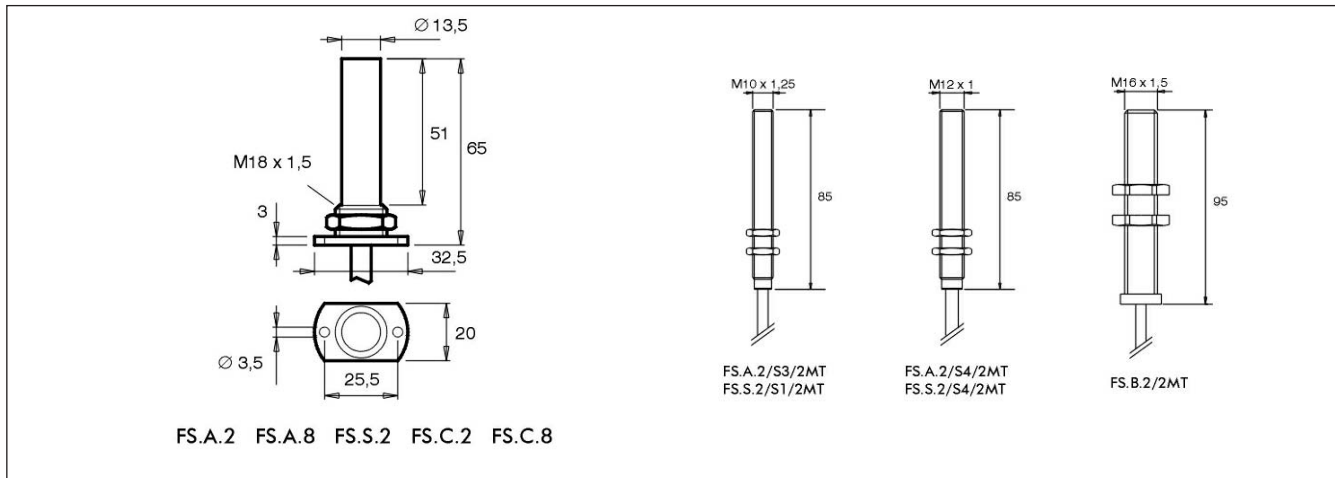
Contacts	2	8	S.2
Max switching voltage	250 Vac	1500 Vac	220 Vac
Max switching current	3 A	3 A	1 A
Max switching power	100 VA	120 VA	60 VA

## Operating distance

Magnetic units	CL.10	CL.11	CL.18	CL.20/S1	CL.20/S3	CL.23	CL.31
FS.A.2, FS.A.8, FS.S.2	-	9	-	8	7	7	12
FS.C.2, FS.C.8	-	12/0,5 *	-	7	6	3	12/0,5 *
FS.A.2/S3/2MT, FS.S.2/S1/2MT, FS.A.2/S4/2MT, FS.S.2/S4/2MT	-	9	-	8	7	7	12

\* Left: operating distance; right: closing contact distance.

## Dimensions



## Wiring Diagrams

