

Accessories

Split-core Current Transformer, 1-Phase AC

Type SCT166/205



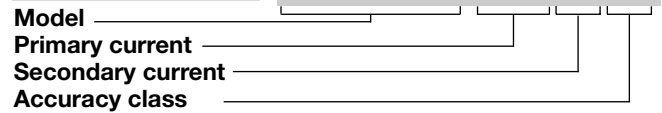
- Split-core current transformer
- Cable/bus-bar type current transformer
- 5A (or 1A on request) secondary current
- Class 0.5 available on request

Product Description

These split core current transformers can be used for currents from 1000A to 6000A.

The current transformers are made according to BS3938, EN60044-1 and DIN42600 standards.

Ordering Key **SCT166165 10005A C1**



Type Selection

Model SCT166/205	Primary Current	Secondary current	Accuracy class
Bus-bar size: 62 x 205 mm	Refer to Range Table	5A 1A (on request)	1 ... 3 (see table) 0.5 (on request)

Input Specifications

Operating frequency	50 to 60 Hz
Max. system voltage	0.72 kV
Rated insulation level	4kV _{RMS} , 50Hz, 1 min
Short-time current rating	60 I _n 2.5 x I _{th}
Extended current rating	120%
Security factor (FS)	5, 10

Output Specifications

Rated secondary current	5 A 1 A (on request)
-------------------------	-------------------------

General Specifications

Insulation class	E (MAX 120°C)
Protection	IP00
Working temperature range	-20 to 45°C
Storage temperature	-50 to 80°C
Standards	According to BS3938, EN60044-1 and DIN42600
Connection	M5 screw easy to handle and securing low contact resistance.
Housing	ABS, self-extinguishing: UL 94 V-0
Mounting	Bus-bar
Standard accessories	None
Accessories on request	None
Special features	The terminal cover is fitted for a lead seal. This execution complies with the VGB4 protection of DIN57106 standard.
Cable diameter	Max. 62 mm
Bus-bar size	62 x 205 mm



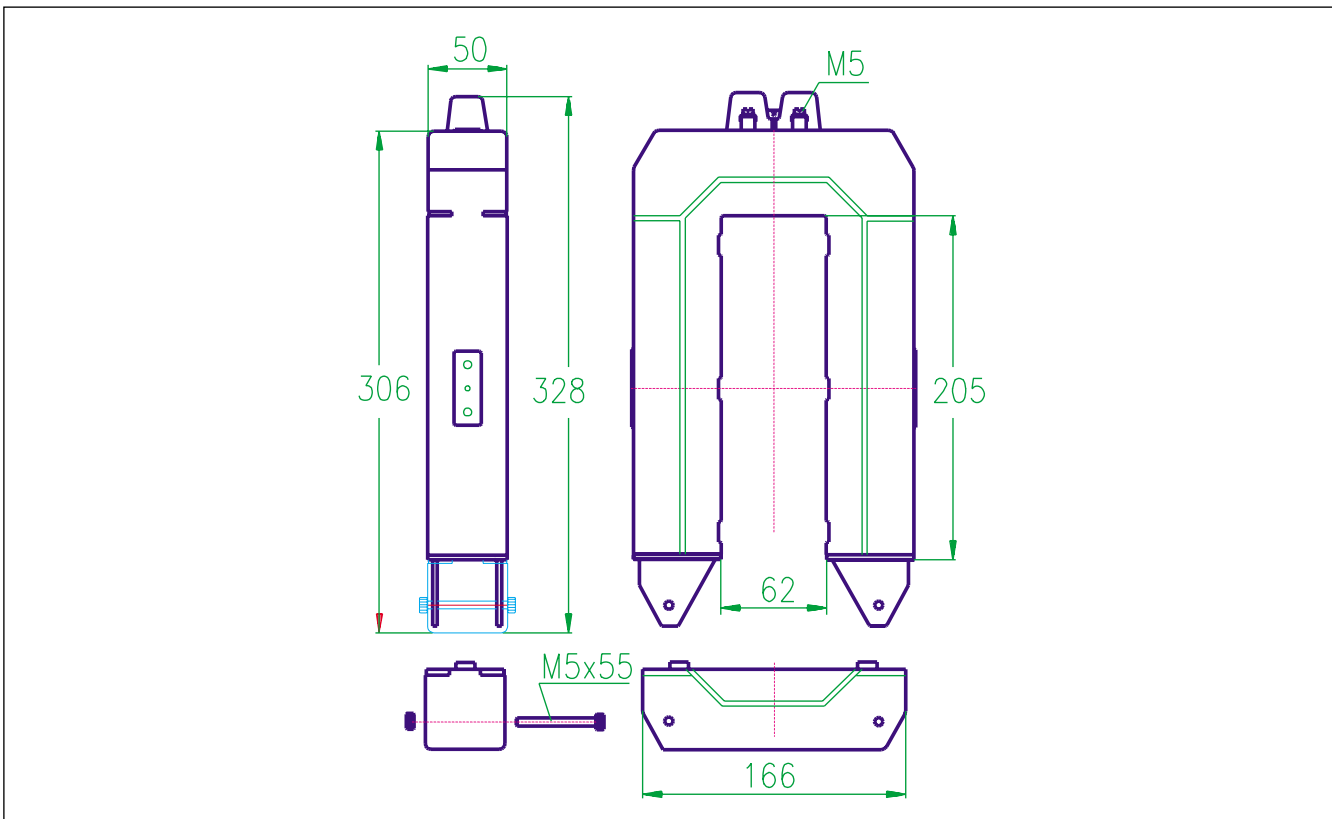
Range Table

Rated Primary Current	Rated secondary current 5 A (1 A on request)			Primary Current	Class 1 Burden (VA)	Class 3 Burden	Class 0.5 (*) Burden
	Class 1 Burden (VA)	Class 3 Burden	Class 0.5 (*) Burden				
1000 A	5	7.5 VA	-	2500 A	5/10/15	20 VA	5 VA
1200 A	5/7.5	10 VA	1.5 VA	3000 A	5/10/15/20	30 VA	5/10/15 VA
1250 A	1.5/2.5/10	5/15 VA	1.5 VA	4000 A	5/10/15/20	30 VA	5/10/15 VA
1500 A	5/10	15 VA	2.5 VA	5000 A	5/10/15/30	-	5/10/15/30 VA
2000 A	5/10/15	20 VA	5 VA	6000 A	5/10/15/30	-	5/10/15/30 VA

Note: every accuracy class is showing many Burden values: the first value (e.g. 5 out of 5/10/15VA) is available as standard, while the other ones are available on request.

* On request

Dimensions (mm)



Wiring Diagram

