

# Accessories

## Split-core Current Transformer, 1-Phase AC

### Type SCT104/50

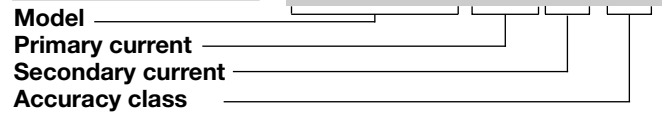


- Split-core current transformer
- Cable/bus-bar type current transformer
- 5A (1A on request) secondary current
- Screws and nuts for busbar mounting
- Class 0.5 available on request

### Product Description

These split core current transformers can be used for currents from 150A to 1000A. The current transformers are made according to BS3938, EN60044-1 and DIN42600 standards.

### Ordering Key **SCT10450 2005A C1**



### Type Selection

Model SCT7430	Primary Current	Secondary current	Accuracy class
Bus-bar size: 51 x 51 mm	Refer to Range Table	5A 1A (on request)	1 ... 3 (see table) 0.5 (on request)

### Input Specifications

Operating frequency	50 to 60 Hz
Max. system voltage	0.72 kV
Rated insulation level	3kV <sub>RMS</sub> , 50Hz, 1 min
Short-time current rating	60 I <sub>n</sub> 2.5 x I <sub>th</sub>
Extended current rating	120%
Security factor (FS)	5, 10

### General Specifications

Insulation class	E (MAX 120°C)
Protection	IP00
Working temperature range	-20 to 45°C
Storage temperature	-50 to 80°C
Standards	According to BS3938, EN60044-1 and DIN42600
Connection	The secondary terminals have two connections on each side. Connection with M4 (M5) screws easy to handle and securing low contact resistance.
Housing	ABS, self-extinguishing: UL 94 V-0
Mounting	DIN-rail/bus-bar and panel mounting (bracket supplied with the CT)
Standard accessories	Screws and nuts for busbar mounting
Accessories on request	Clip, for DIN EN50022 rail
Special features	The terminal cover is fitted for a lead seal. This execution complies with the VGB4 protection of DIN57106 standard.
Cable diameter	Max. 51 mm
Bus-bar size	51 x 51 mm

### Output Specifications

Rated secondary current	5 A 1 A (on request)
-------------------------	-------------------------



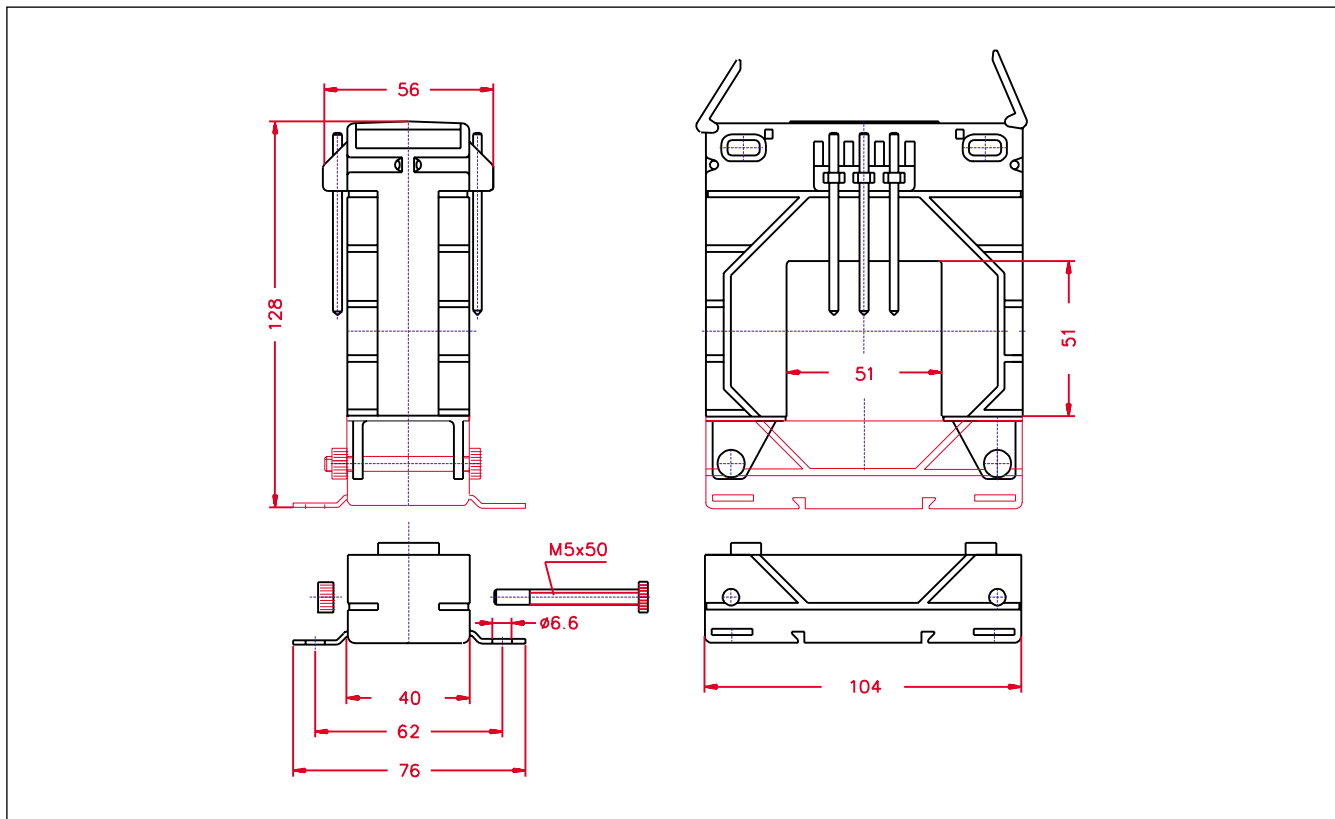
## Range Table

Rated Primary Current	Rated secondary current 5 A (1 A on request)			Primary Current	Class 1 Burden	Class 3 Burden	Class 0.5 (*) Burden
	Class 1 Burden	Class 3 Burden	Class 0.5 (*) Burden				
150 A	-	1.5 VA	-	500 A	5 VA	10 VA	2.5 VA
200 A	1.5 VA	-	-	600 A	5/7.5 VA	15 VA	2.5 VA
250 A	1.5 VA	3.75 VA	-	750 A	5/7.5 VA	-	3.75 VA
300 A	1.5 VA	5 VA	-	800 A	5/10 VA	15 VA	5 VA
400 A	2.5 VA	5 VA	1.5 VA	1000 A	5/10 VA	10 VA	5/10 VA

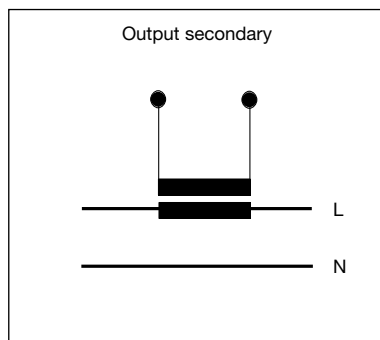
**Note:** every accuracy class is showing many Burden values: the first value (e.g. 5 out of 5/10/15VA) is available as standard, while the other ones are available on request.

\* On request

## Dimensions (mm)



## Wiring Diagram



## Standard and optional Accessories

Screws and nuts for busbar mounting (standard) and clip for DIN EN50022 rail mounting (on request).

