

Dupline® Field- and Installationbus Transmitter with Built-in Temperature Sensor Type G 8911 1010



- AnaLink temperature transmitter with built-in Pt 1000 sensor
- Temperature range: -30°C to +60°C (-22 to +140°F)
- Uses only 1 channel
- Channel coding by GAP 1605
- M12 connection
- Easily mountable
- Supplied by Dupline

Product Description

The sensor is mounted right at the location where the temperature is to be measured, e.g. freezer cabinets in super markets, cold storage rooms

etc. The sensor measures the temperature and transmits the value to the controller G 3890 0030, which then performs the logging and alarming.

Ordering Key **G 8911 1010**

Type: Dupline _____
Type _____

Type Selection

Supply	Ordering no. 1 channel Pt 1000 sensor
By Dupline	G 8911 1010

Supply Specifications

Power supply	Supplied by Dupline
Rated operational current	typ. 800 µA

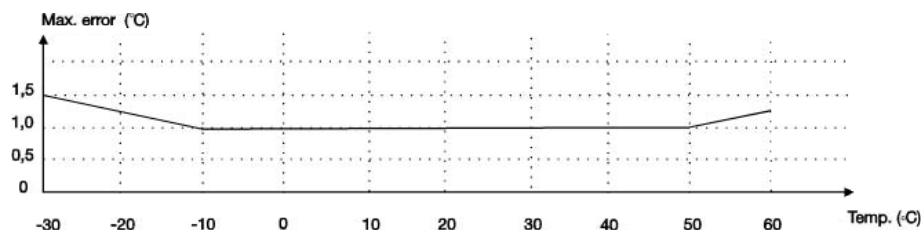
General Specifications

Channel programming	By GAP 1605
Channel assignment	1 channel, freely programmable
Environment	
Degree of protection	IP 67
Operating temperature	-30 to 60°C (-22 to +140°F)
Storage temperature	-55 to +85°C (-67 to +185°F)
Mechanical resistance	
Shock	15 G (11 ms)
Vibration	2 G (6 to 55 Hz)
Connection	M12 plug
Housing	
Material	Housing: Polycarbonate Plug: Nylon
Colour	Light grey
Dimensions (l x w x d)	67 x 35 x 15 mm
Mounting	Direct wall mounting*)

*) To measure the air temperature, the sensor should not be wall-mounted, but should be exposed to air flow.

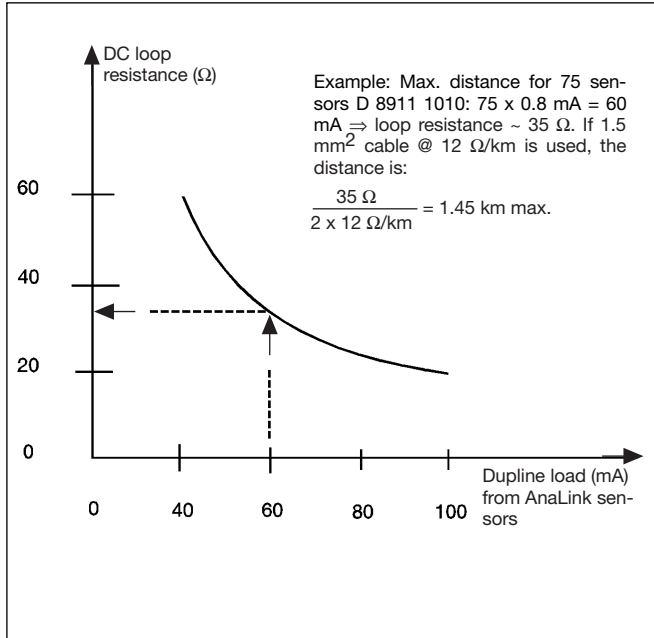
Sensor Specifications

Sensor	Pt 1000 (built-in)	Time constant	Typ. 450 s (air flow = 0 m/s)
Temperature measuring range	-30 to +60°C (-22 to +140°F)		Typ. 350 s (air flow = 1 m/s)
Temperature probe	Pt 1000 (built-in)	Resolution	8 bits (approx. 0.35 K/LSB)
Accuracy	See curve below		

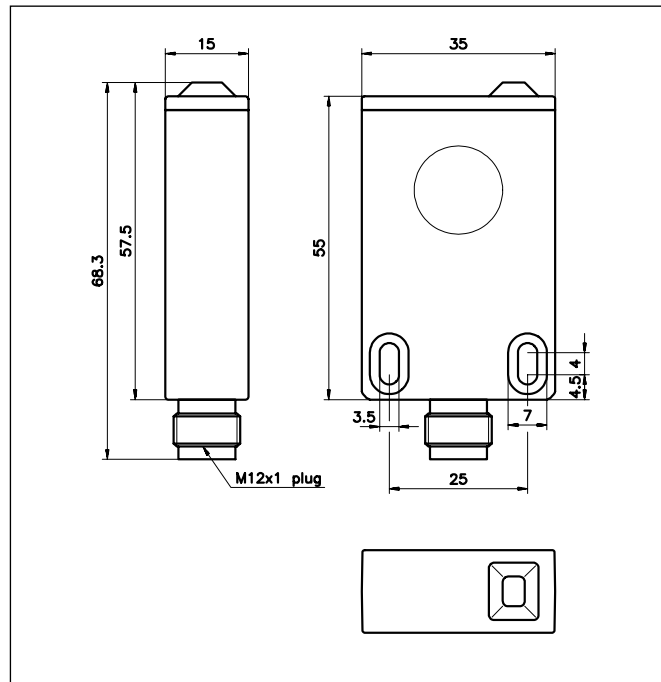




Distance versus No. of Sensors



Dimensions



Connections

M12 plug with terminals

Pin 1: Dupline
Pin 4: GND

Standard cable with M12 plug (IEC 947-5-2) with 4 wires:

Brown: Dupline (1)
Black: GND (4)
Blue: GND (3)
White: GND (2)

with 3 wires (1-3-4):

Brown: Dupline (1)
Black: GND (4)
Blue: GND (3)

with 2 wires (1-4)

Brown: Dupline (1)
Blue: GND

Note: All wires **must** be connected.

Accessories

Coding cable	GTS-CAB*
Angular M12 plug	CONH 1A-A
Straight M12 plug	CONH 1A-S
Cable with angular plug	CONH 10-A.**
Cable with straight plug	CONH 10-S.**

* Delivered with the G 3890 0030.

** Indicate length 2 m or 5 m.