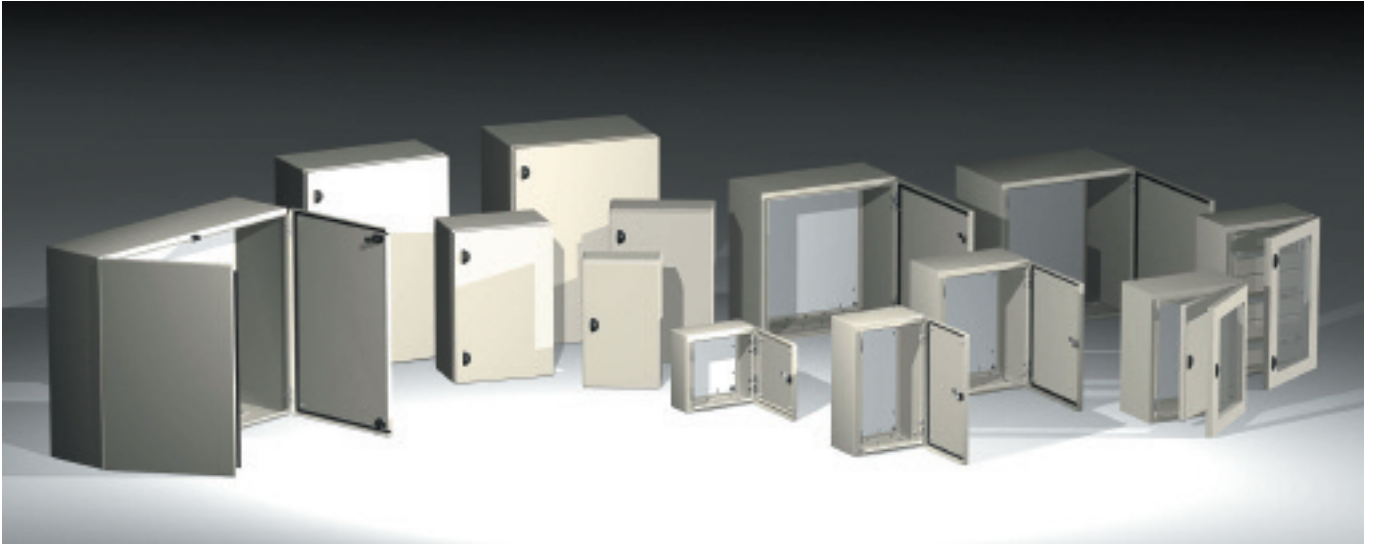




boxes



ST range of wall mounting enclosures is one of the highest quality of metallic enclosures available on the market. A well engineered project, which has been continuously updated and improved, has allowed the creation of a wide range of possible variations.

The actual ST range includes the following versions:

- 32 sizes manufactured from Fe40 sheet steel with blank door
- 19 sizes with glazed doors

in both single and double door versions.

ST range main characteristic is solidity obtained thanks to the considerable thickness of the sheet steel to the high technology and automation used for products and to the proper mix of the components.

Top quality materials are used:

- high performance technopolymers are used for locking systems and hinge pins (UL94VO selfextinguishing material)
- zinc alloy hinges
- thermosetting epoxy polyester powder coating for painting
- two components polyurethane sealing gasket applied by a robot
- sheet steel.

Further features of the ST range are the 4 large size gland plates:

- a plate with removable flush plate
- removable twinting support rails to be mounted in the inner part of the door
- door reversibility obtained thanks to the screwed hinges
- gasket protection clip for transport and storage.

Four or six studs are welded inside the boxes (with the exception of 150mm depth enclosure), allowing the mounting of both an inner door, a modular chassis, a rack frame or the mounting plate adjustment system.

All the accessories are supplied separately so that to increase flexibility thus optimizing finish products inventory. STP boxes have the same characteristics.

They have a 3mm thick glazed door fitted with the care that ETA puts into all its products.

terminal boxes

Produced from a single sheet of material, these boxes have an external edge with gutter profile preventing entry of dust.

To meet different customers requirements, the boxes are offered with mounting plates or DIN profiles. The lid is fixed with captive screws. Hinges can also be fitted. No drilling is necessary.

features at a glance

- IP 65 single door, IP 55 double door
- over 41 sizes plain door/window door
- mounting plates, gland plate/s supplied as standard
- large range of standard accessories
- modifications available on short lead times.



ST 150mm depth boxes



characteristics

Enclosure and door manufactured from 1.5mm sheet steel.
Flat mounting plate manufactured from 2.5mm.

paint finish

ETA standard epoxy polyester powder coating.
Enclosure and door RAL 7032 textured finish.

supply includes

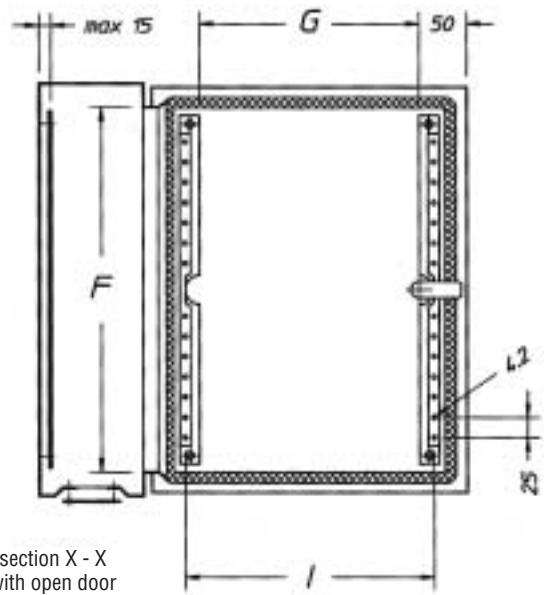
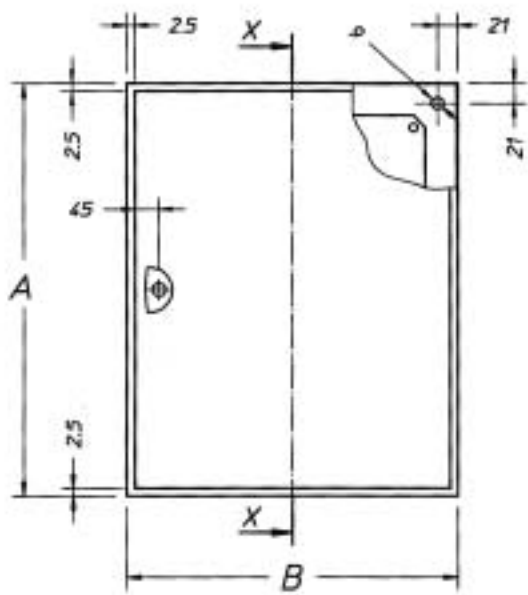
- box
- 2 zincpassivated rails to be fixed on the door
- mounting plate
- gland plate with sealing gasket
- locking system with Ø 3mm double bar key
- screws for earthing
- mounting accessories.

conformity and approval

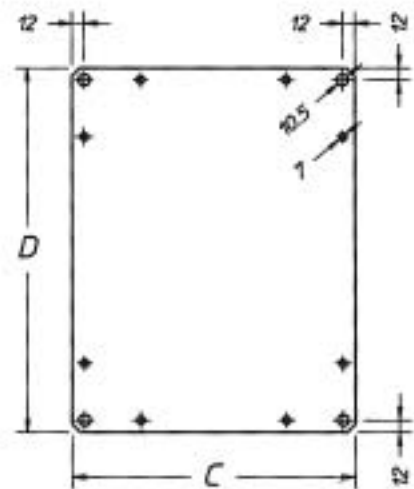
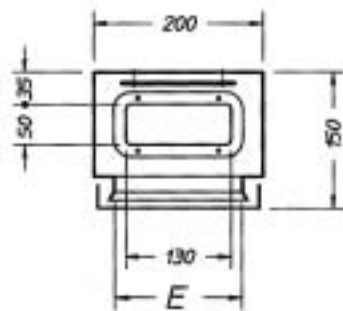
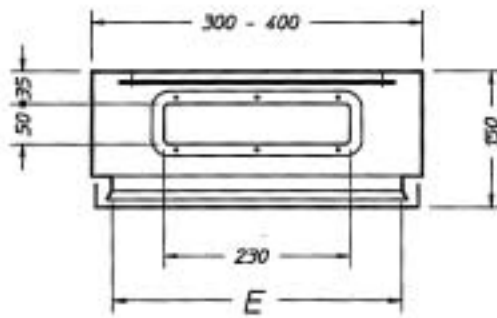


protection degree

- IP 65 complying with EN50298; EN60529
- type 12, 4, 4X complying with UL508A; UL50
- impact resistance IK10 complying with EN500298; EN50102.



section X - X
with open door



code		B	A	C	D	E	F	G	I	weight kg
mod.	art.									
ST2	315	200	300	150	250	154	254	90	*	6
ST3	315	300	300	250	250	254	254	190	226	7,5
ST3	415	300	400	250	350	254	354	190	226	9,5
ST3	515	300	500	250	450	254	454	190	226	11,5
ST4	315	400	300	350	250	354	254	290	326	9,5
ST4	515	400	500	350	450	354	454	290	326	13

*B=200 M6 studs welded only on the hinge side.



ST 200mm depth boxes



characteristics

Enclosure and door manufactured from 1.5mm sheet steel.
Flat mounting plate manufactured from 2.5mm.

paint finish

ETA standard epoxy polyester powder coating.
Enclosure and door RAL 7032 textured finish.

supply includes

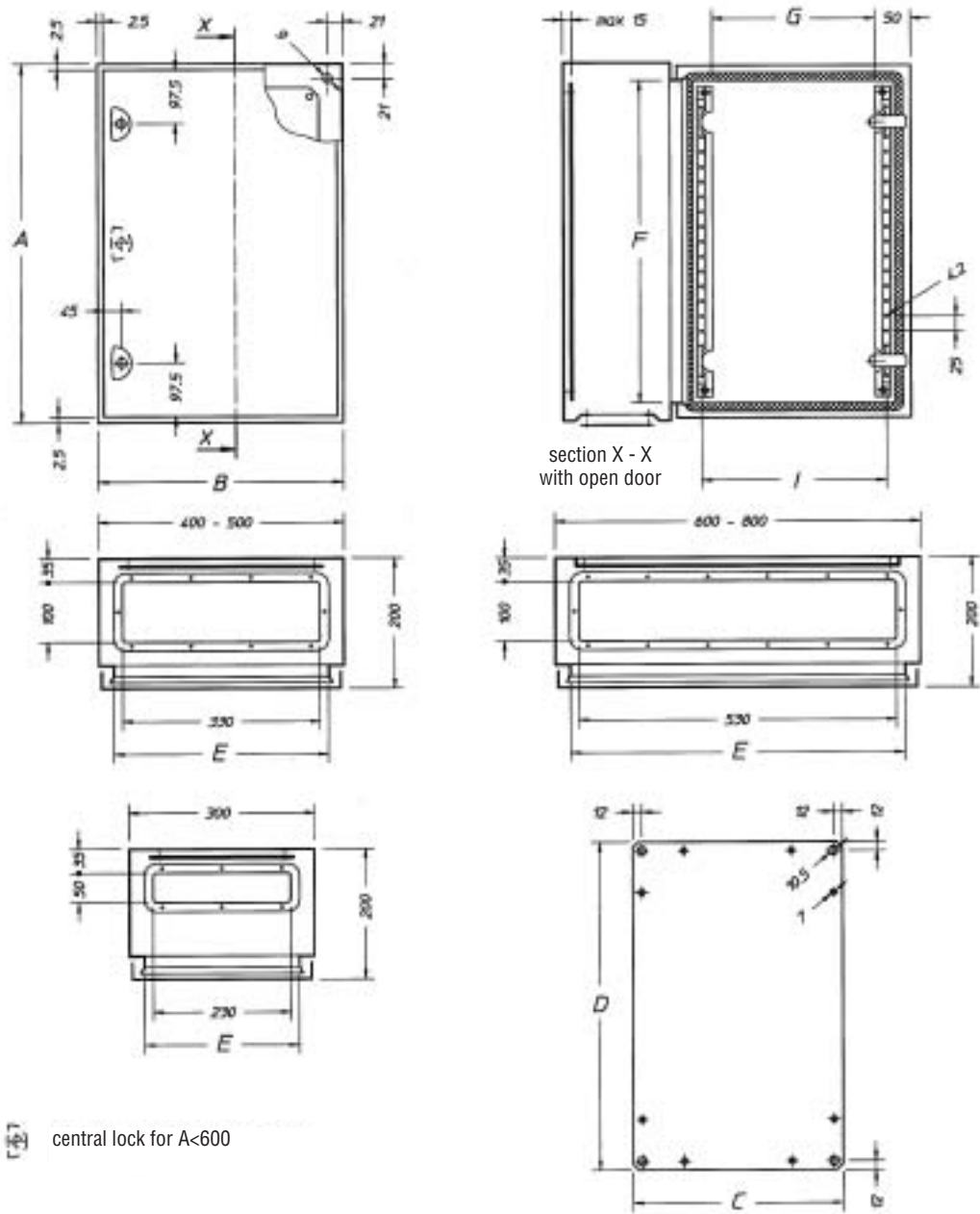
- box
- 2 zincpassivated rails to be fixed on the door
- mounting plate
- gland plate with sealing gasket
- locking system with Ø 3mm double bar key
- screws for earthing
- mounting accessories.

conformity and approval



protection degree

- IP 65 complying with EN50298; EN60529
- type 12, 4, 4X complying with UL508A; UL50
- impact resistance IK10 complying with EN500298; EN50102.



code		B	A	C	D	E	F	G	I	weight kg
mod.	art.									
ST3	420	300	400	250	350	254	354	190	226	11
ST3	520	300	500	250	450	254	454	190	226	13
ST4	320	400	300	350	250	354	254	290	326	11
ST4	420	400	400	350	350	354	354	290	326	13,5
ST4	520	400	500	350	450	354	454	290	326	15,5
ST4	620	400	600	350	550	354	554	290	326	18
ST5	520	500	500	450	450	454	454	390	426	18,5
ST5	720	500	700	450	650	454	654	390	426	24,5
ST6	420	600	400	550	350	554	354	490	526	18
ST6	620	600	600	550	550	554	554	490	526	24,5
ST6	820	600	800	550	750	554	754	490	526	31,5



ST 250mm depth boxes



characteristics

Enclosure and door manufactured from 1.5mm sheet steel.
Flat mounting plate manufactured from 2.5mm.

paint finish

ETA standard epoxy polyester powder coating.
Enclosure and door RAL 7032 textured finish.

supply includes

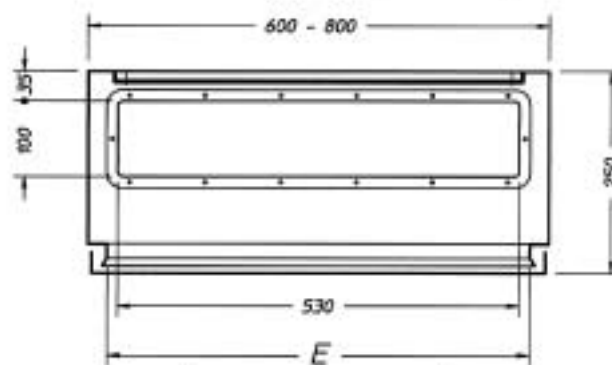
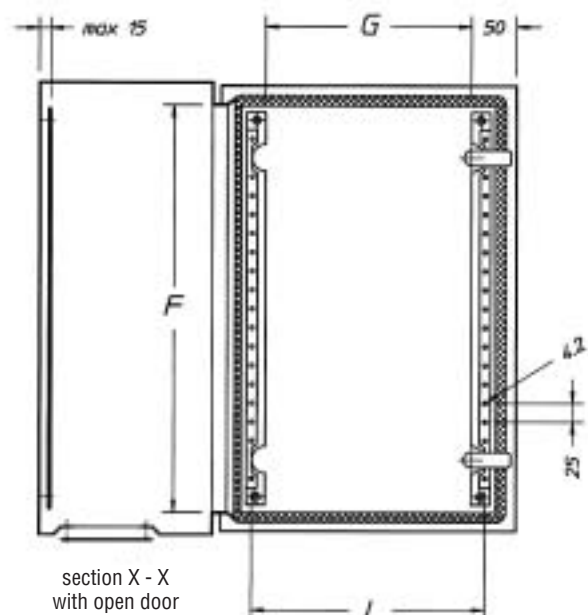
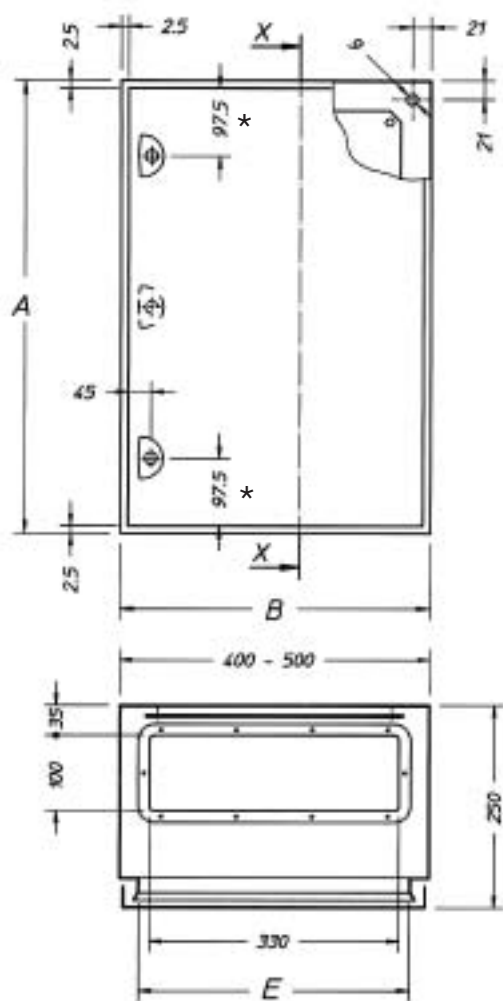
- box
- 2 zincpassivated rails to be fixed on the door
- mounting plate
- gland plate with sealing gasket
- locking system with Ø 3mm double bar key
- screws for earthing
- mounting accessories.

conformity and approval

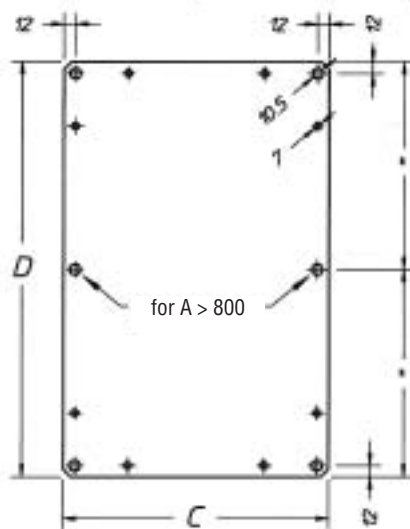


protection degree

- IP 65 complying with EN50298; EN60529
- type 12, 4, 4X complying with UL508A; UL50
- impact resistance IK10 complying with EN500298; EN50102.



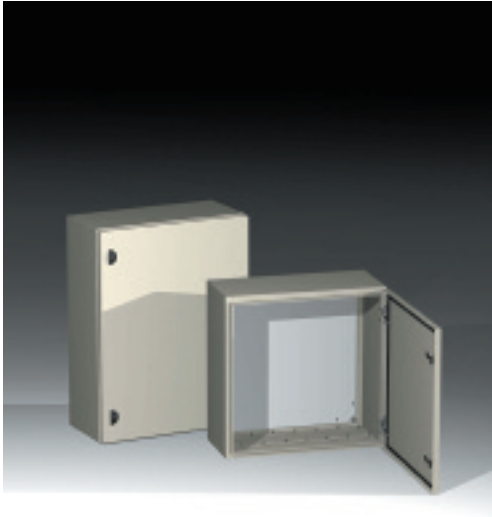
* 197,5 per $A \geq 1000$
 [Symbol] central lock for $A < 600$



code		B	A	C	D	E	F	G	I	weight kg
mod.	art.									
ST4	525	400	500	350	450	354	454	290	326	18
ST4	625	400	600	350	550	354	554	290	326	20,5
ST5	725	500	700	450	650	454	654	390	426	27
ST6	825	600	800	550	750	554	754	490	526	34
ST6	1025	600	1000	550	950	554	954	490	526	43,5



ST 300mm depth boxes



BOXES WITH STANDARD LOCKING SYSTEM

Enclosure and door manufactured from 1.5mm sheet steel.
Door manufactured from 1.5mm sheet steel up to ST6-830 model;
door manufactured from 2mm sheet steel for models from ST6-1030 to ST6-1230.
Mounting plate with folded edges (flat mounting plate for ST6-430/630 models),
manufactured from 2.5mm sheet steel.

paint finish

ETA standard epoxy polyester powder coating.
Enclosure and door RAL 7032 textured finish.

supply includes

- box
- 2 zincpassivated rails to be fixed on the door
- mounting plate
- gland plate with sealing gasket
- locking system with \varnothing 3mm double bar key
- screws for earthing
- mounting accessories.

certifications



protection degree

- IP 65 complying with EN50298; EN60529
- type 12, 4, 4X complying with UL508A; UL50
- impact resistance IK10 complying with EN500298; EN50102.



BOXES 1400MM HIGH WITH ROD SYSTEM

Enclosure manufactured from 1.5mm sheet steel.
Door manufactured from 2mm sheet steel.
Flat mounting plate with folded edges.

paint finish

ETA standard epoxy polyester powder coating.
Enclosure and door RAL 7032 textured finish.

supply includes

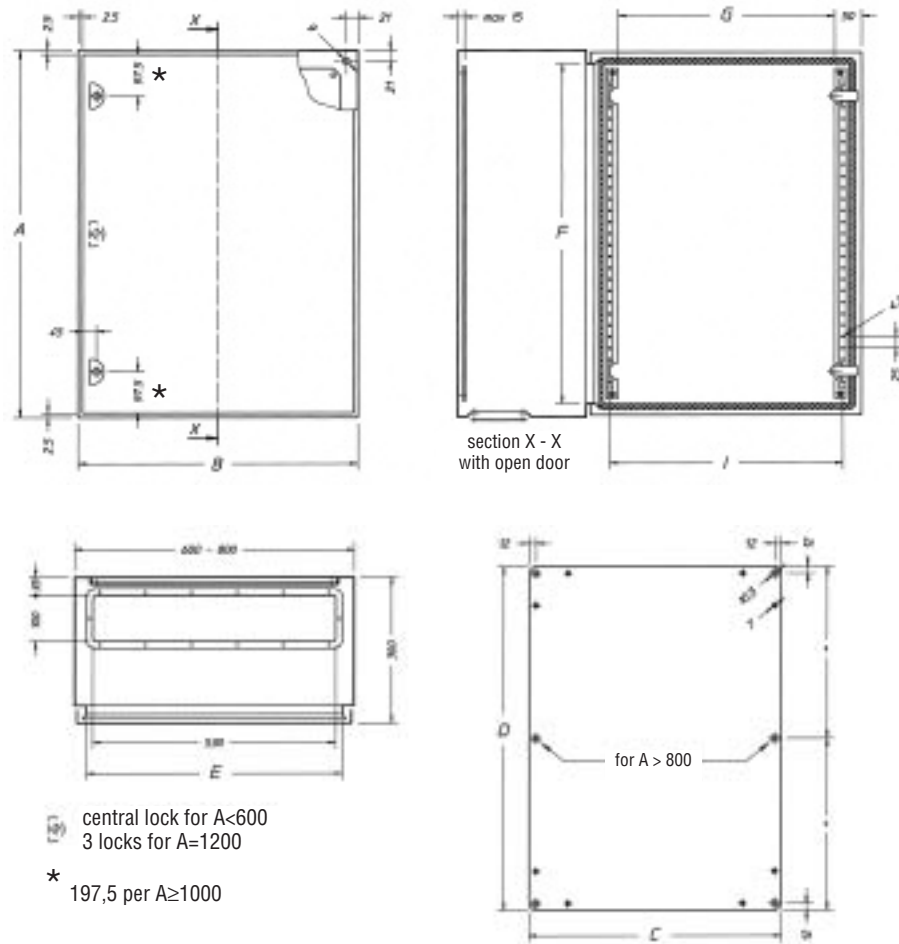
- box
- 2 zincpassivated rails to be fixed on the door
- mounting plate
- gland plate with sealing gasket
- locking system with \varnothing 3mm double bar key
- screws for earthing
- mounting accessories.

certifications



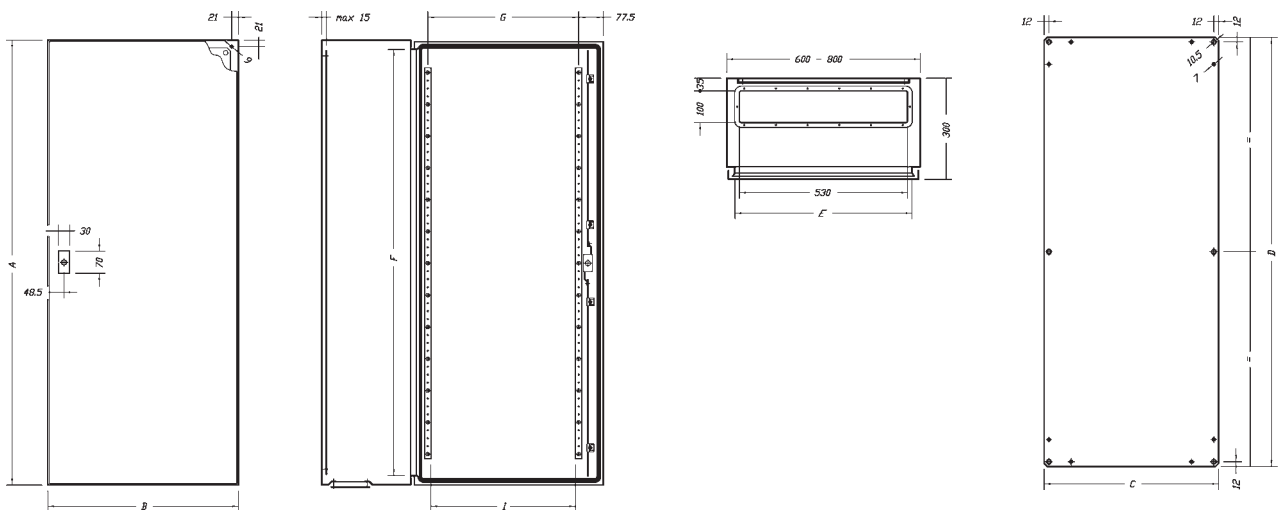
protection degree

- IP 65 complying with EN50298; EN60529
- type 12, 4, 4X complying with UL508A; UL50
- impact resistance IK10 complying with EN500298; EN50102.



boxes with standard locking system

code		B	A	C	D	E	F	G	I	weight kg
mod.	art.									
ST6	430	600	400	550	350	554	354	490	526	23
ST6	630	600	600	550	550	554	554	490	526	30
ST6	830	600	800	550	750	554	754	490	526	37
ST6	1030	600	1000	550	950	554	954	490	526	47
ST6	1230	600	1200	550	1150	554	1154	490	526	54
ST8	830	800	800	750	750	754	754	690	726	48
ST8	1030	800	1000	750	950	754	954	690	726	58
ST8	1230	800	1200	750	1150	754	1154	690	726	67



boxes with rod system

code		B	A	C	D	E	F	G	I	weight kg
mod.	art.									
ST6	1430	600	1400	550	1350	554	1354	490	526	63
ST8	1430	800	1400	750	1350	754	1354	690	726	84



ST 400mm depth boxes



characteristics

Enclosure and door manufactured from 1.5mm sheet steel.
Door manufactured from 2mm sheet steel only for ST6-1040.
Flat mounting plate manufactured from 2.5mm.

paint finish

ETA standard epoxy polyester powder coating.
Enclosure and door RAL 7032 textured finish.

supply includes

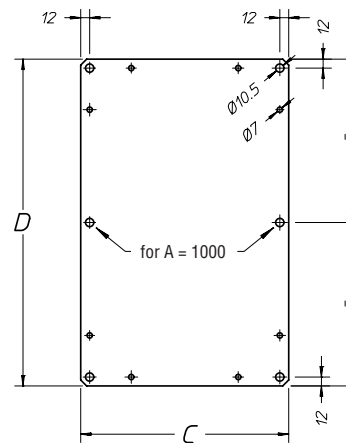
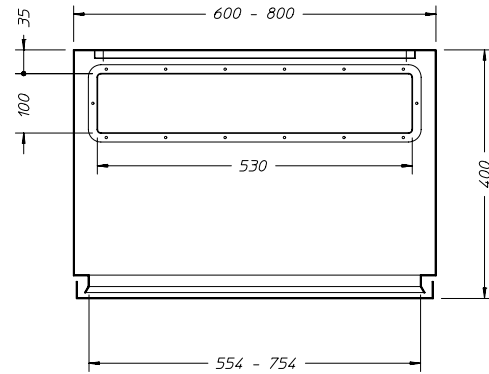
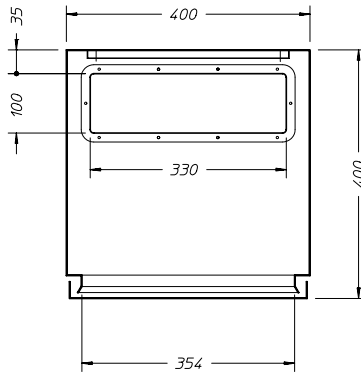
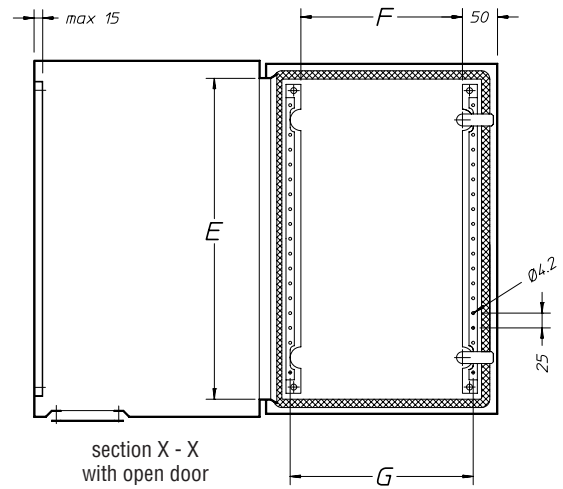
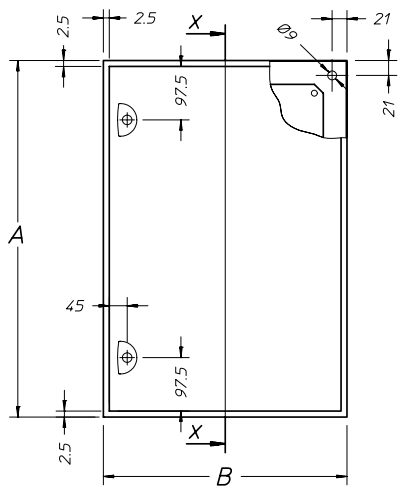
- box
- 2 zincpassivated rails to be fixed on the door
- mounting plate
- gland plate with sealing gasket
- locking system with Ø 3mm double bar key
- screws for earthing
- mounting accessories.

conformity and approval



protection degree

- IP 65 complying with EN50298; EN60529
- type 12, 4, 4X complying with UL508A; UL50
- impact resistance IK10 complying with EN500298; EN50102.



code		B	A	C	D	E	F	G	weight kg
mod.	art.								
ST4	640	400	600	350	550	554	290	326	36
ST6	640	600	600	550	550	554	490	526	36
ST6	840	600	800	550	750	754	490	526	46
ST6	1040	600	1000	550	950	954	490	526	56
ST8	840	800	800	750	750	754	690	726	52
ST8	1040	800	1000	750	950	954	690	726	62



ST double door boxes



characteristics

Enclosure and door manufactured from 1.5mm sheet steel.
Flat mounting plate manufactured from 2.5mm.

paint finish

ETA standard epoxy polyester powder coating.
Enclosure and door RAL 7032 textured finish.

supply includes

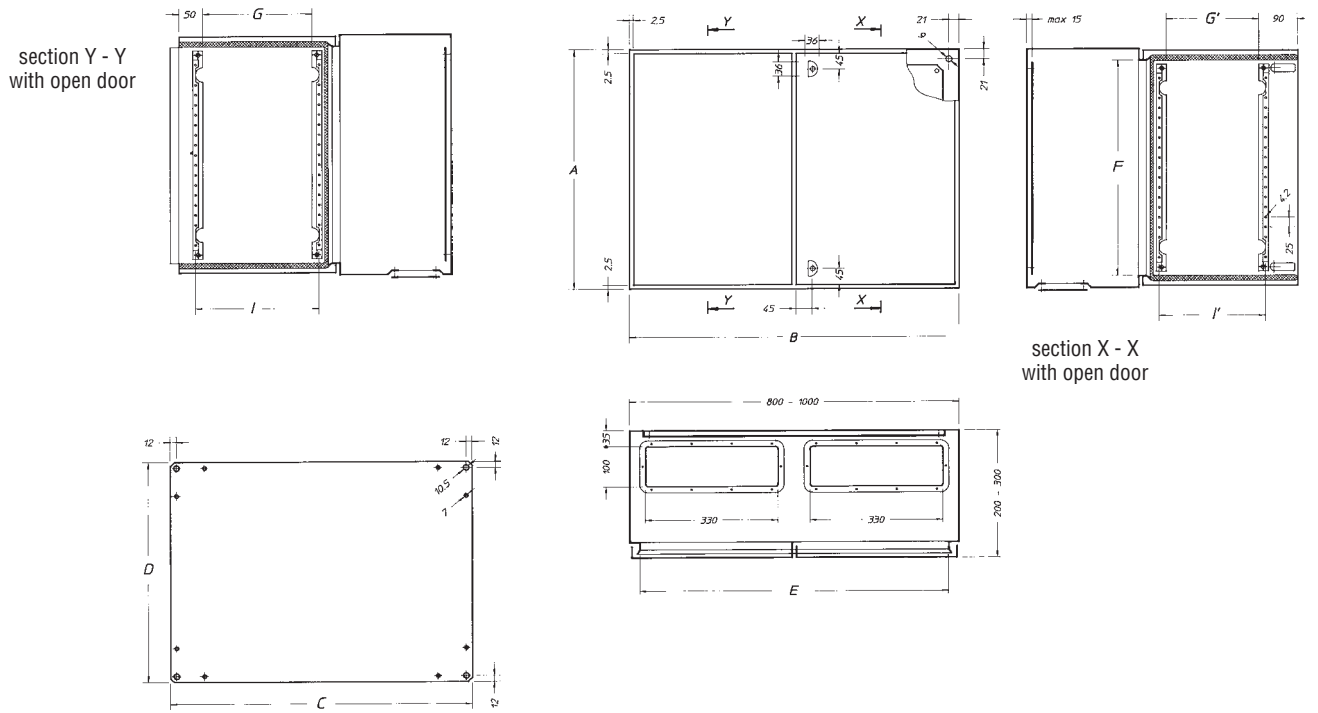
- box
- 2 zincpassivated rails to be fixed on the door
- mounting plate
- gland plate with sealing gasket
- locking system with Ø 3mm double bar key
- screws for earthing
- mounting accessories.

conformity and approval



protection degree

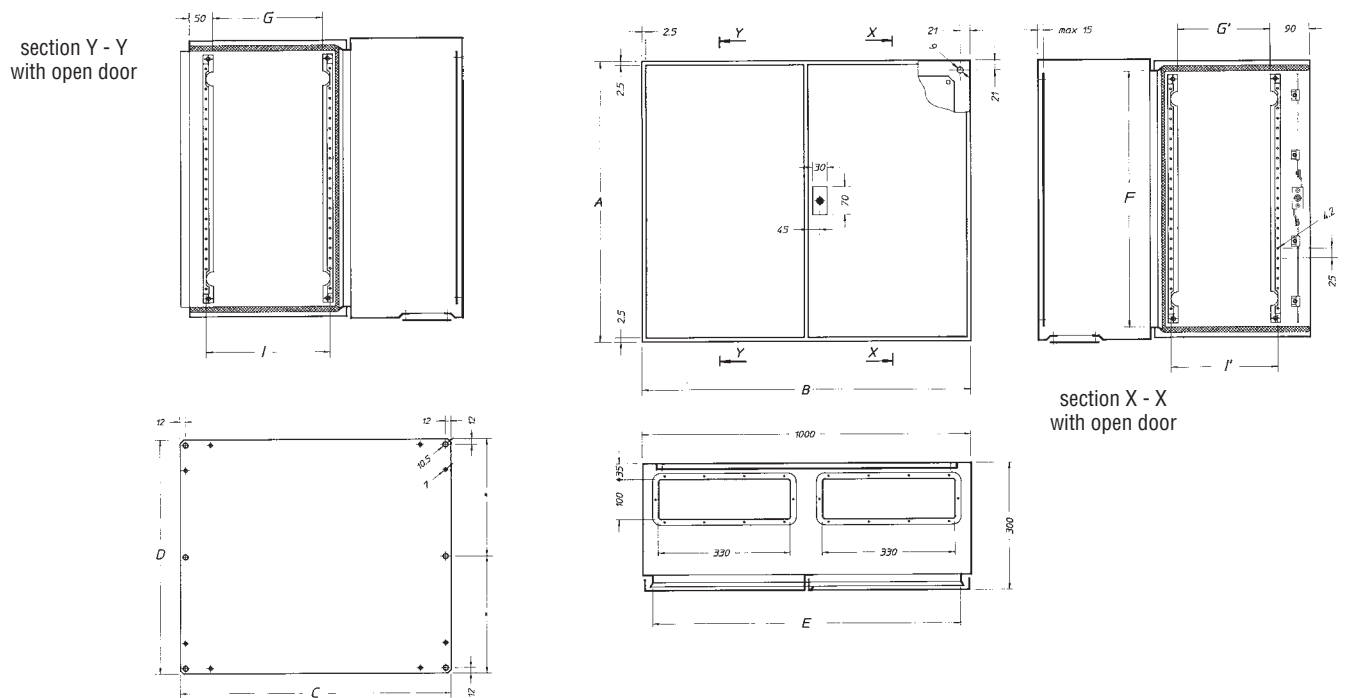
- IP 55 complying with EN50298; EN60529
- type 12, 4, 4X complying with UL508A; UL50
- impact resistance IK10 complying with EN500298; EN50102.



double door boxes with standard locking system

code		B	A	C	D	E	F	G	G'	I	I'	weight kg
mod.	art.											
ST8*	630	800	600	750	550	754	554	290	250	326	286	37
ST10	820	1000	800	950	750	954	754	390	350	426	386	51
ST10	830	1000	800	950	750	954	754	390	350	426	386	58

* One gland plate - 530 x 100



double door boxes with rod system

code		B	A	C	D	E	F	G	G'	I	I'	weight kg
mod.	art.											
ST10	1030	1000	1000	935	950	954	954	390	350	426	386	69
ST10	1230	1000	1200	935	1150	954	1154	390	350	426	386	80
ST10	1430	1000	1400	935	1350	954	1354	390	350	426	386	95
ST12	1230	1200	1200	1135	1150	1154	1154	490	450	526	486	100



STP boxes with glazed door



characteristics

Enclosure manufactured from 1.5mm sheet steel.
 Door manufactured from 1.5mm sheet steel up to 800mm height then 2mm sheet steel.
 Mounting plate manufactured from 2.5mm sendzimir sheet steel.
 3mm transparent plexiglas sheet.

paint finish

ETA standard epoxy polyester powder coating.
 Enclosure and door RAL 7032 textured finish.

supply includes

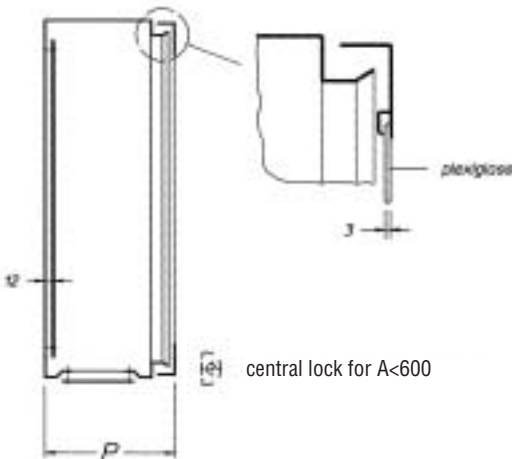
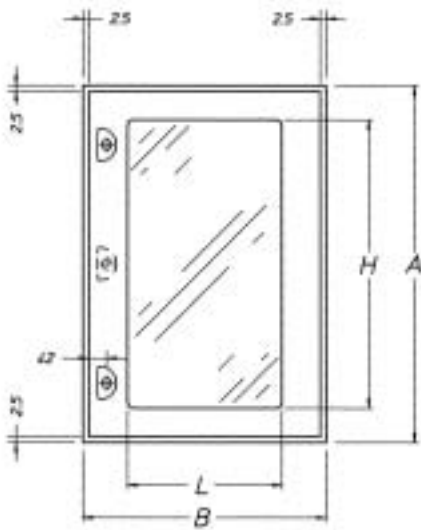
- box
- mounting plate
- gland plate with sealing gasket
- ø 3mm double bar key
- screws for earthing
- mounting accessories.

conformity and approval



protection degree

- IP 55 complying with EN50298; EN60529
- type 12 complying with UL508A; UL50
- impact resistance IK10 complying with EN500298; EN50102.



code		B	A	L	H	P
mod.	art.					
STP4	320	400	300	260	185	200
STP4	420	400	400	260	285	200
STP4	520	400	500	260	385	200
STP4	525	400	500	260	385	250
STP4	620	400	600	260	485	200
STP4	625	400	600	260	485	250
STP5	720	500	700	360	585	200
STP5	725	500	700	360	585	250
STP6	420	600	400	460	285	200
STP6	430	600	400	460	285	300
STP6	620	600	600	460	485	200
STP6	630	600	600	460	485	300
STP6	825	600	800	460	685	250
STP6	830	600	800	460	685	300
STP6	1025	600	1000	460	885	250
STP6	1030	600	1000	460	885	300
STP6	1230	600	1200	460	1085	300
STP8	1030	800	1000	660	885	300
STP8	1230	800	1200	660	1085	300



complementary accessories

INNER DOOR STP01

characteristics

Frame and door manufactured from 1.5mm sheet steel.

paint finish

ETA standard epoxy polyester powder coating.

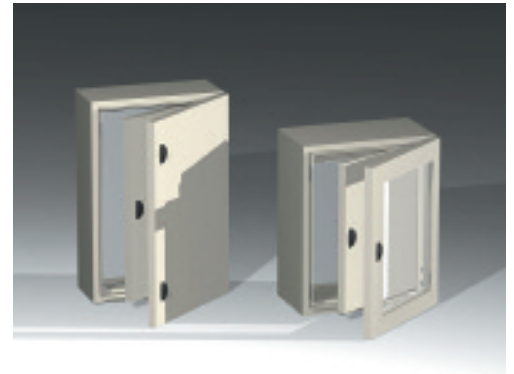
Colour RAL 7032 textured finish.

supply includes

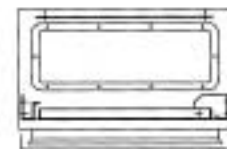
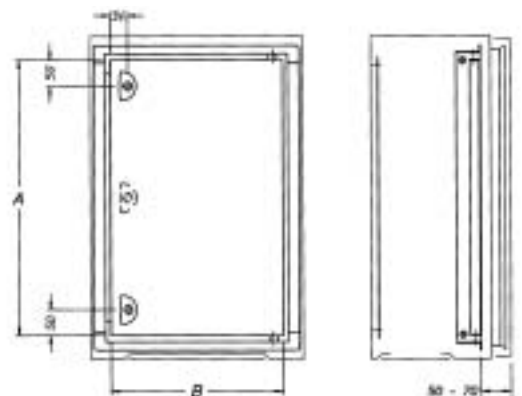
- frame
- door
- lock system with \varnothing 3mm double bar key
- mounting accessories.

protection degree

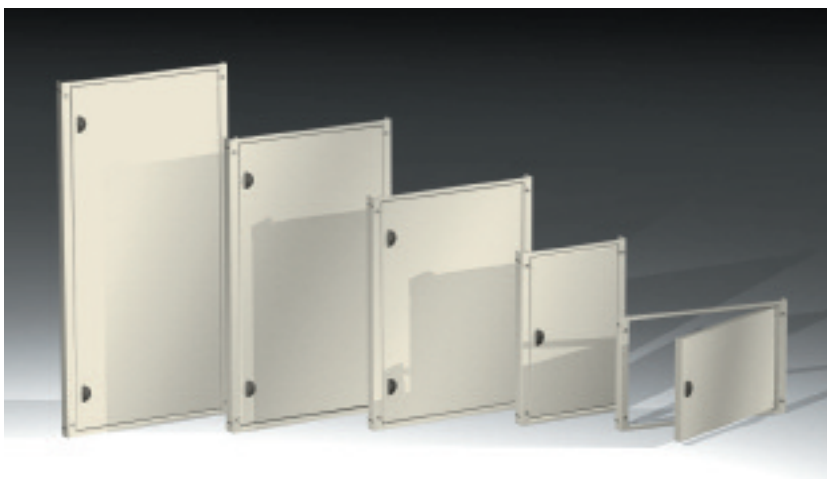
- external: as box
- internal: IP 20.



code		B	A	for box type			
mod.	art.			code		code	
mod.	art.			mod.	art.	mod.	art.
STP 01	45	330	444	ST4	520	STP4	520
STP 01	45	330	444	ST4	525	STP4	525
STP 01	46	330	544	ST4	620	STP4	620
STP 01	46	330	544	ST4	625	STP4	625
STP 01	57	430	644	ST5	720	STP5	720
STP 01	57	430	644	ST5	725	STP5	725
STP 01	64	530	344	ST6	420	STP6	420
STP 01	64	530	344	ST6	430	STP6	430
STP 01	68	530	744	ST6	825	STP6	825
STP 01	68	530	744	ST6	830	STP6	830
STP 01	610	530	944	ST6	1025	STP6	1025
STP 01	610	530	944	ST6	1030	STP6	1030
STP 01	612	530	1144	ST6	1230	STP6	1230
STP 01	810	730	944	ST8	1030	STP8	1030
STP 01	812	730	1144	ST8	1230	STP8	1230



 central lock for A<700





complementary accessories



MODULAR KIT MDST4-300

characteristics

Frame manufactured from 1.5mm sheet steel.

Front panels manufactured from 1.5mm sheet steel.

paint finish

ETA standard epoxy polyester powder coating. Colour RAL 7032 textured finish.

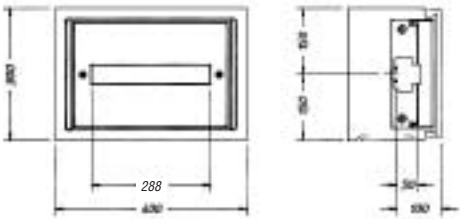
supply includes

- frame
- front panel with modular slot complete with mounting accessories and captive screws
- zinc plated DIN rail (for each module)
- mounting accessories.

protection degree

External: as box.

Internal: IP 1X.



code		no. of 18mm modules	for box type
mod.	art.		
MDST4	300	1 x 16	ST4 - 320
			STP4 - 320



MODULAR KIT MDST4-400

characteristics

Frame manufactured from 1.5mm sheet steel.

Front panels manufactured from 1.5mm sheet steel.

paint finish

ETA standard epoxy polyester powder coating. Colour RAL 7032 textured finish.

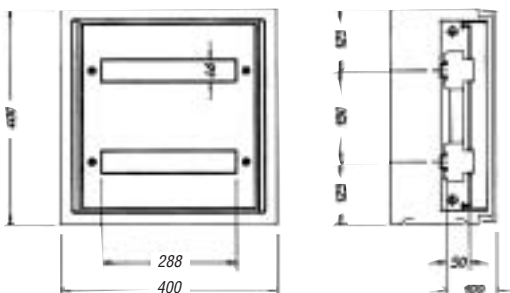
supply includes

- frame
- front panel with modular slot complete with mounting accessories and captive screws
- zinc plated DIN rail (for each module)
- mounting accessories.

protection degree

External: as box.

Internal: IP 1X.



code		no. of 18mm modules	for box type
mod.	art.		
MDST4	400	2 x 16	ST4 - 420
			STP4 - 420



complementary accessories

MODULAR KIT MDST4-500

characteristics

Frame manufactured from 1.5mm sheet steel.
Front panels manufactured from 1.5mm sheet steel.

paint finish

ETA standard epoxy polyester powder coating. Colour RAL 7032 textured finish.

supply includes

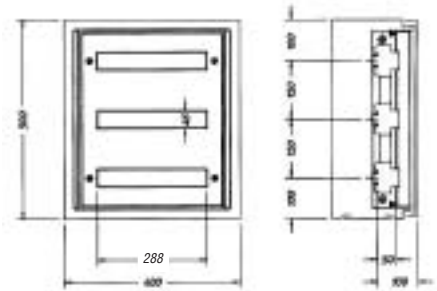
- frame
- front panel with modular slot complete with mounting accessories and captive screws
- zinc plated DIN rail (for each module)
- mounting accessories.

protection degree

External: as box.
Internal: IP 1X.



code		no. of 18mm modules	for box type
mod.	art.		
MDST4	500	3 x 16	ST4 - 520/525 STP4 - 520/525



MODULAR KIT MDST4-600

characteristics

Frame manufactured from 1.5mm sheet steel.
Front panels manufactured from 1.5mm sheet steel.

paint finish

ETA standard epoxy polyester powder coating. Colour RAL 7032 textured finish.

supply includes

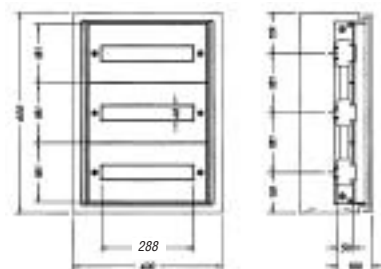
- frame
- front panel with modular slot complete with mounting accessories and captive screws
- zinc plated DIN rail (for each module)
- mounting accessories.
- MDST4 - 200 blank panel on request.

protection degree

External: as box.
Internal: IP 1X.



code		no. of 18mm modules	for box type
mod.	art.		
MDST4	600	3 1 x 16	ST4 - 620/625 STP4 - 620/625





complementary accessories



MODULAR KIT MDST6-600

characteristics

Frame manufactured from 1.5mm sheet steel.
Front panels manufactured from 1.5mm sheet steel.

paint finish

ETA standard epoxy polyester powder coating.
Colour RAL 7032 textured finish.

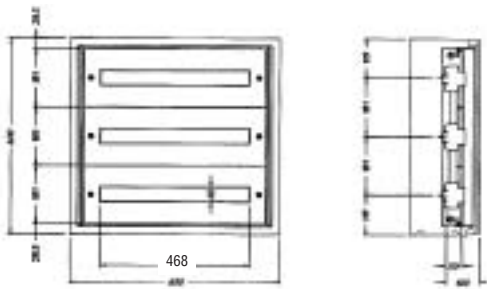
supply includes

Supply includes:

- frame
 - front panel with modular slot complete with mounting accessories and captive screws
 - zincpassivated DIN rails
 - accessories to mount in the box.
- MDST6-200 blank front panels available on request.

protection degree

External: as box.
Internal: IP 1X.



code		no. of 18mm modules	for box type
mod.	art.		
MDST6	600	3 (1 x 26)	ST6 - 620
			ST6 - 630
			STP6 - 620
			STP6 - 630



MODULAR KIT MDST6-800

characteristics

Frame manufactured from 1.5mm sheet steel.
Front panels manufactured from 1.5mm sheet steel.

paint finish

ETA standard epoxy polyester powder coating.
Colour RAL 7032 textured finish.

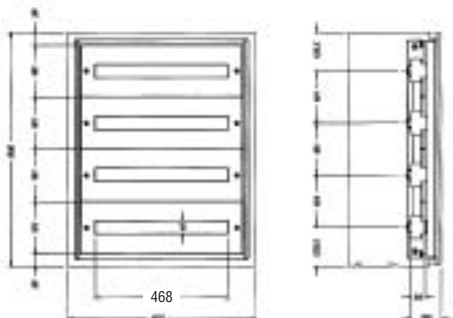
supply includes

Supply includes:

- frame
 - front panel with modular slot complete with mounting accessories and captive screws
 - zincpassivated DIN rails
 - accessories to mount in the box.
- MDST6-200 blank front panels available on request.

protection degree

External: as box.
Internal: IP 1X.



code		no. of 18mm modules	for box type
mod.	art.		
MDST6	800	4 (1 x 26)	ST6 - 825
			ST6 - 830
			STP6 - 825
			STP6 - 830



complementary accessories

MODULAR KIT MDST6-1000

characteristics

Frame manufactured from 1.5mm sheet steel.
Front panels manufactured from 1.5mm sheet steel.

paint finish

ETA standard epoxy polyester powder coating.
Colour RAL 7032 textured finish.

supply includes

Supply includes:

- frame
- front panel with modular slot complete with mounting accessories and captive screws
- zincpassivated DIN rails
- accessories to mount in the box.

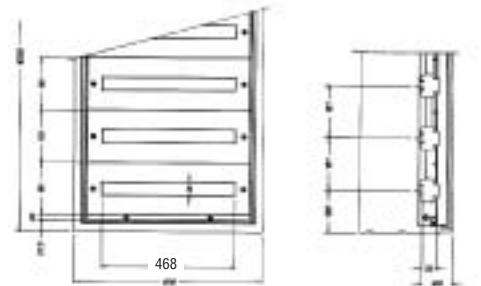
MDST6-200 blank front panels available on request.

protection degree

External: as box.
Internal: IP 1X.



code		no. of 18mm modules	for box type
mod.	art.		
MDST6	1000	5 (1 x 26)	ST6 - 1025
			ST6 - 1030
			STP6 - 1025
			STP6 - 1030



MODULAR KIT MDST6-1200

characteristics

Frame manufactured from 1.5mm sheet steel.
Front panels manufactured from 1.5mm sheet steel.

paint finish

ETA standard epoxy polyester powder coating.
Colour RAL 7032 textured finish.

supply includes

Supply includes:

- frame
- front panel with modular slot complete with mounting accessories and captive screws
- zincpassivated DIN rails
- accessories to mount in the box.

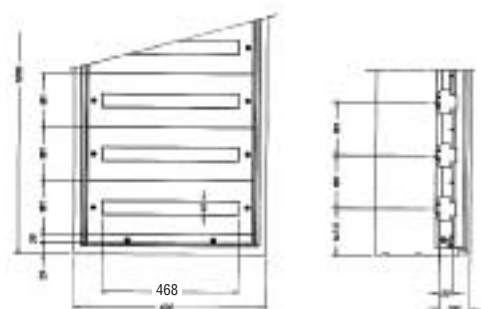
MDST6-200 blank front panels available on request.

protection degree

External: as box.
Internal: IP 1X.

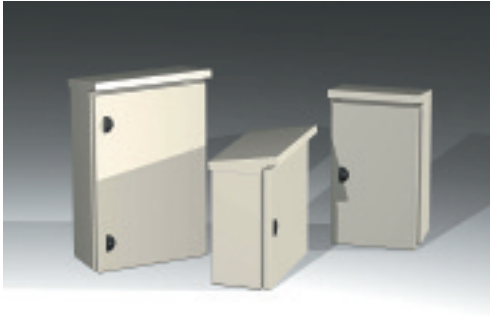


code		no. of 18mm modules	for box type
mod.	art.		
MDST6	1200	6 (1 x 26)	ST6 - 1230
			STP6 - 1230





complementary accessories



CANOPY TT

To be used for outdoor installation where the boxes are exposed to all weathers.
Manufactured from 1.5mm sheet steel.

paint finish

ETA standard epoxy polyester powder coating.

Colour: RAL 7032 textured finish.

It is recommended that a special paint finish be applied for enclosures placed out-doors.



code		width	depth
mod.	art.		
TT1	04	400	200
TT2	04	400	250
TT1	05	500	200
TT2	05	500	250
TT1	06	600	250
TT2	06	600	300
TT2	08	800	300

Supply includes: one piece with mounting accessories.



complementary accessories

HORIZONTAL DOOR RAILS

Manufactured from 1.5mm zincpassivated sheet steel
with Ø 4.2mm holes at 25mm centres.
To be used to fix cable or trunking.

code		box width
mod.	art.	
WC	001	300
WC	002	400
WC	003	500
WC	004	600
WC	005	800

Supply includes: one piece with mounting accessories.



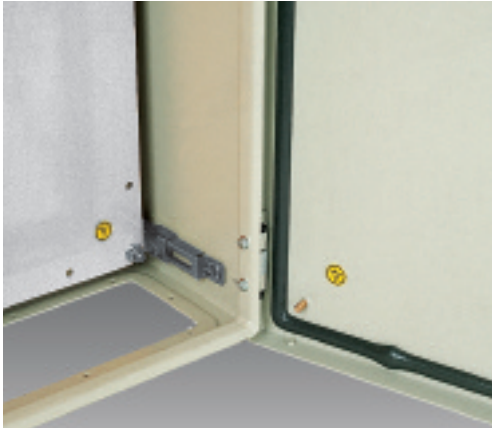
DOOR STOP WA-060

To be used to hold the door open at 90° avoiding accidental closing.
Manufactured from 2mm and 3mm zincpassivated sheet steel.
Can be used on ST and STP boxes.
Supply includes: single piece with mounting accessories.





complementary accessories



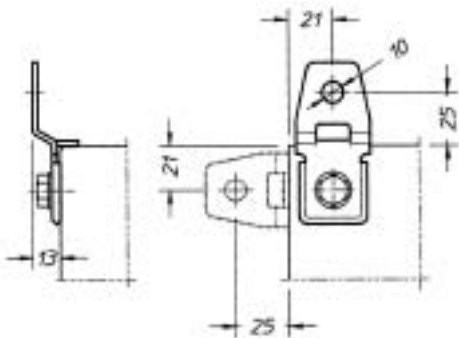
MOUNTING PLATE ADJUSTER WA

To be used to adjust the depth of the mounting plate.
Manufactured from 2mm zincpassivated sheet steel.

code		box depth
mod.	art.	
WA	980	200
WA	981	250
WA	982	300

Supply includes: 2 pieces.

- 4 pieces are required for box height 800 mm
- 6 pieces are required for box height > 800 mm.



WALL MOUNTING BRACKETS SDWC

Manufactured from 2.5mm zincpassivated sheet steel.
Supply includes: 4 pieces.



code	
mod.	art.
SDWC	010



CABLE ENTRY GLAND PLATE WC

Supply includes:
one gland plate, sealing gasket, mounting accessories.

code		gland plate dimensions
mod.	art.	
WC	016	158 x 78
WC	018	258 x 78
WC	020	358 x 128
WC	022	558 x 128



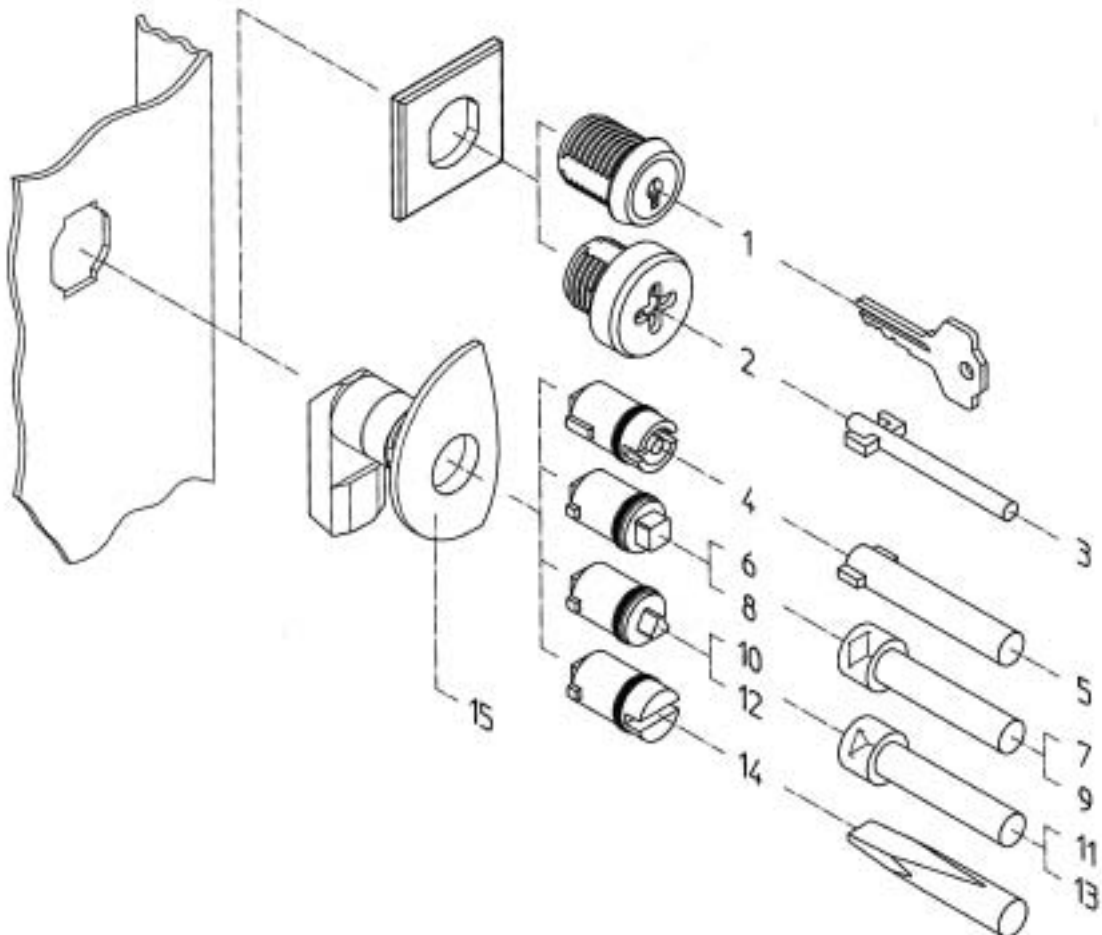
complementary accessories

closing systems

code		ref.	description
mod.	art.		
* WE	235	1	Viro insert
* WE	240	2	Fiat insert
WE	210	3	Fiat key
WE	255	4	ETA insert
WE	096	5	ETA key
WE	260	6	insert \varnothing 6
WE	263	7	key \varnothing 6
WE	265	8	insert \varnothing 7
WE	268	9	key \varnothing 7
WE	270	10	insert \varnothing 6,5
WE	273	11	key \varnothing 6,5
WE	275	12	insert \varnothing 8
WE	278	13	key \varnothing 8
WE	280	14	screw driver insert
WE	250	15	lock without insert

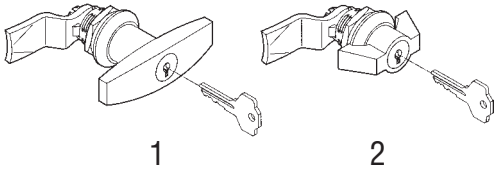


* Including cam and locking cover





complementary accessories

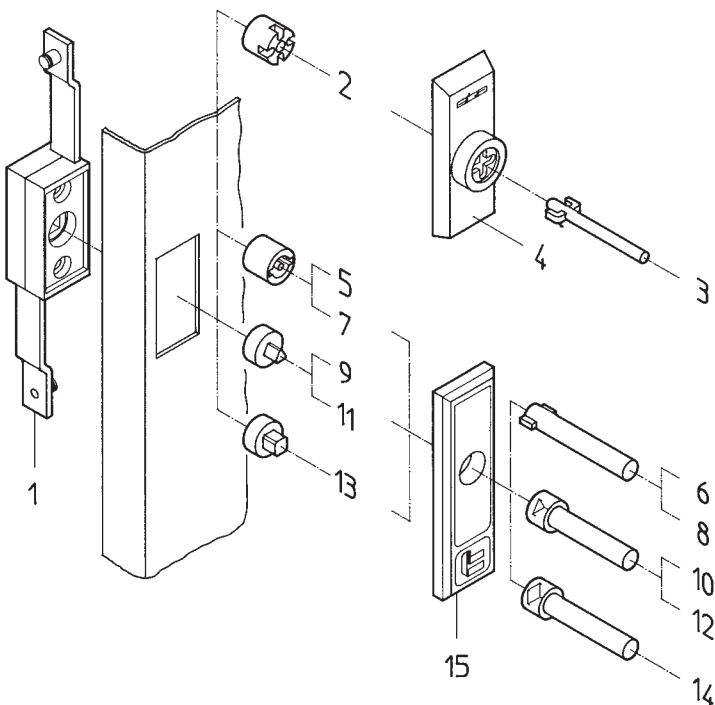


closing systems

code		ref.	description
mod.	art.		
WE	285	1	T handle with keylock
WE	288	2	wing handle with keylock

DOUBLE DOOR BOX CLOSING SYSTEM WITH ROD MECHANISM

code		ref.	description
mod.	art.		
WE	010	1	rod drive
WE	080	2	Fiat insert
WE	210	3	Fiat key
WE	027	4	Fiat cover
WE	030	5	Ø 3 ETA insert
WE	160	6	Ø 3 ETA key
WE	040	7	Ø 5 ETA insert
WE	170	8	Ø 5 ETA key
WE	050	9	insert ∇ 7
WE	180	10	key ∇ 7
WE	060	11	insert ∇ 8
WE	190	12	key ∇ 8
WE	070	13	insert ∇ 7
WE	200	14	key ∇ 7
WE	020	15	ETA cover





SDV terminal boxes

characteristics

Box manufactured from 1.2mm sheet steel.

- lid fixed with captive screws
- holes for fixing hinges.

paint finish

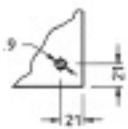
ETA standard epoxy polyester powder coating. Colour: RAL 7032 textured finish.

conformity and approval

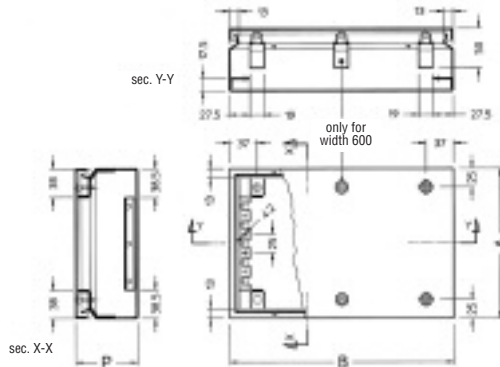


protection degree

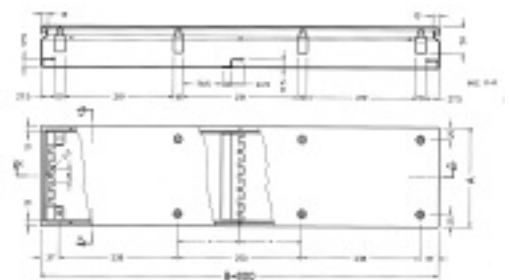
- IP 65 complying with EN50298; EN60529
- type 12, 4, 4X complying with UL508A; UL50
- impact resistance IK10 complying with EN500298; EN50102.



rear fixing holes



code		dimensions			weight	
mod.	art.	B	A	P	kg.	
SDV1	108	150	150	80	1.1	
SDV2	208	200	200		1.7	
SDV3	208	300			2.2	
SDV4	208	400			2.8	
SDV5	208	500			3.3	
SDV6	208	600			3.9	
SDV8	208	800			5.0	
SDV1	112	150			150	120
SDV2	212	200		200	2.3	
SDV3	112	300	150	2.0		
SDV3	212	300	200	2.6		
SDV3	312	300	300	3.5		
SDV4	212	400	200	3.3		
SDV4	312		300	4.3		
SDV4	412		400	5.4		
SDV5	212	500	200	3.8		
SDV5	312		300	5.1		
SDV6	212	600	200	4.5		
SDV6	312		300	5.9		
SDV6	412		400	7.4		
SDV8	212		800	200	5.8	
SDV8	412	400		9.7		



To be ordered separately:
 • mounting plate and/or DIN rails.



SDF terminal boxes with gland plates



characteristics

Box manufactured from 1.2mm sheet steel.

- lid fixed with captive screws
- holes for fixing hinges.

paint finish

ETA standard epoxy polyester powder coating.

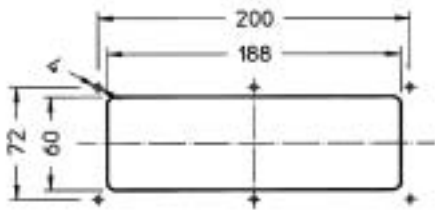
Colour: RAL 7032 textured finish.

conformity and approval



protection degree

- IP 55 complying with EN50298; EN60529
- type 12, 4, 4X complying with UL508A; UL50
- impact resistance IK10 complying with EN500298; EN50102.

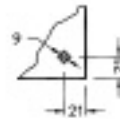
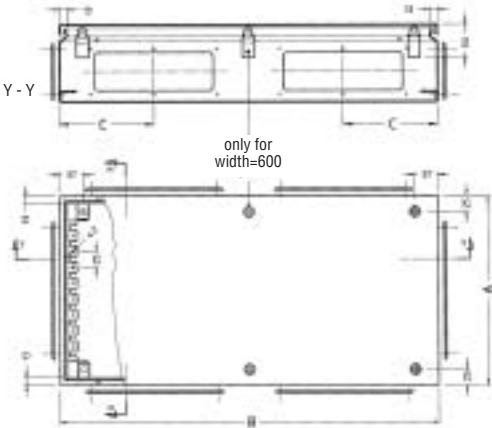


box drilling details

section X - X



section Y - Y



rear fixing holes

code		dimensions				weight kg.	no. of gland plates	no. of gland plates in width	no. of gland plates in height
mod.	art.	B	A	C	P				
SDF3	212	300	200	-	120	2.7	2	2	-
SDF3	312		300	-		4.1	4	2	2
SDF4	212	400	200	-		3.4	2	2	-
SDF4	312		300	-		4.9	4	2	2
SDF4	412		400	-		6.0	4	2	2
SDF5	212	500	200	130		4.4	4	4	-
SDF5	312		300			6.2	6	4	2
SDF6	212	600	200	150		5.1	4	4	-
SDF6	312		300		7.0	6	4	2	
SDF6	412		400		8.5	6	4	2	
SDF8	212	800	200		6.9	6	6	-	
SDF8	412		400		11.3	8	6	2	

To be ordered separately:

- mounting plate and/or DIN rails.



SDVX terminal boxes with transparent lid

characteristics

Box manufactured from 1.2mm sheet steel.

- hinged lid with locking system, captive screws and plexiglas for viewing.

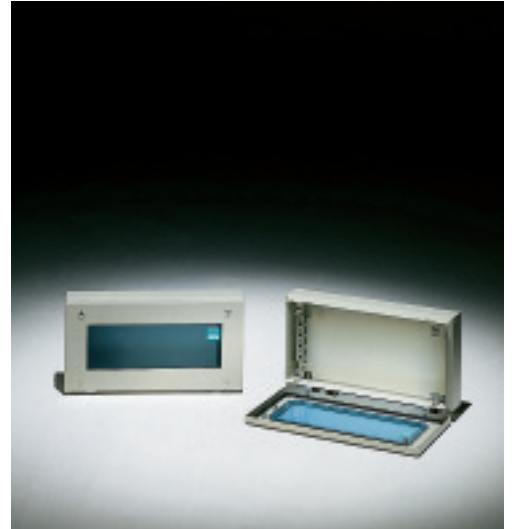
paint finish

ETA standard epoxy polyester powder coating.

Colour: RAL 7032 textured finish.

protection degree

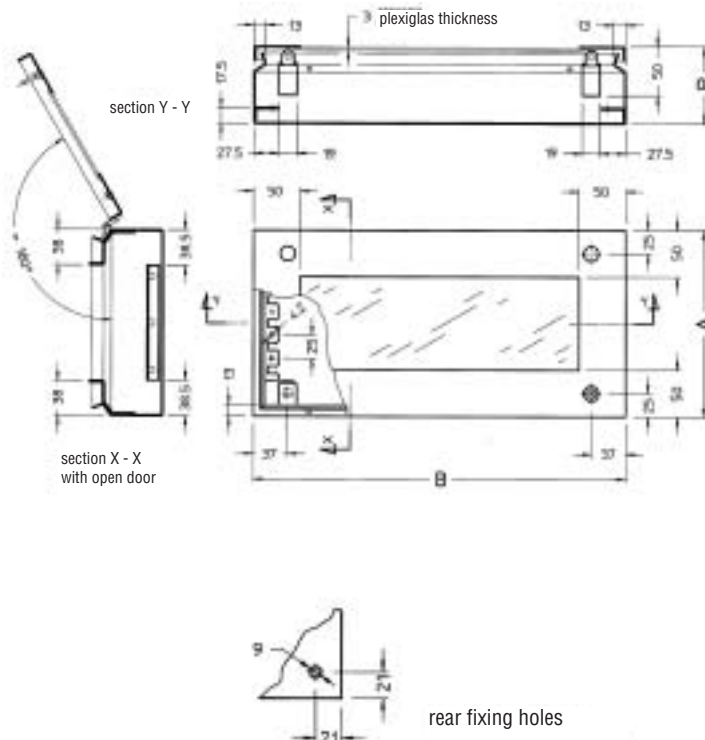
- IP 55.



code		dimensions			weight
mod.	art.	B	A	P	kg.
SDVX4	212	400	200	120	3.3
SDVX6	212	600			4.5

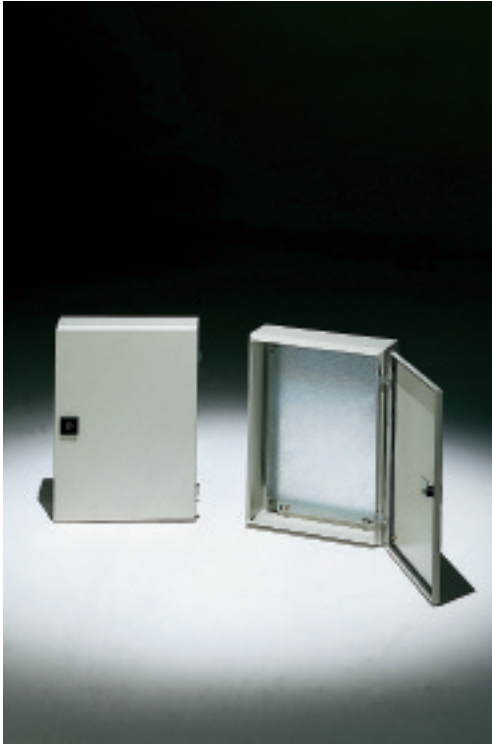
To be ordered separately:

- mounting plate and/or DIN rails.





SDP terminal boxes with door



characteristics

Box manufactured from 1.2mm sheet steel.
Door manufactured from 1.5mm sheet steel.
• locking system with \varnothing 3mm double bar key.

paint finish

ETA standard epoxy polyester powder coating.
Colour: RAL 7032 textured finish.

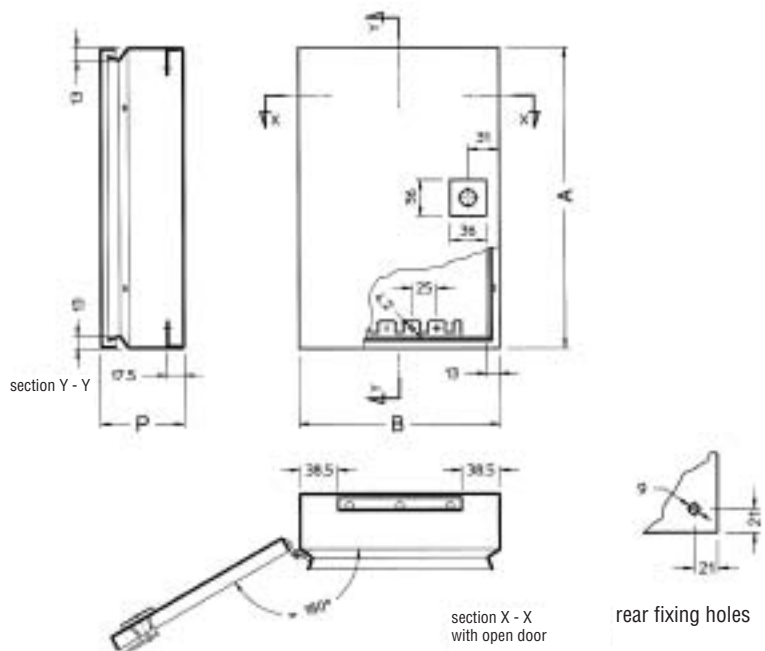
protection degree

• IP 55.

code		dimensions			weight
mod.	art.	B	A	P	kg.
SDP2	208	200	200	80	1.8
SDP2	308		300		2.4
SDP2	408		400		3
SDP2	212	200	200	120	2.5
SDP2	312		300		2.8
SDP2	412		400		3.5
SDP2	512		500		4.1
SDP3	312	300	300		3.8
SDP3	412		400		4.5

To be ordered separately:

• mounting plate and/or DIN rails.



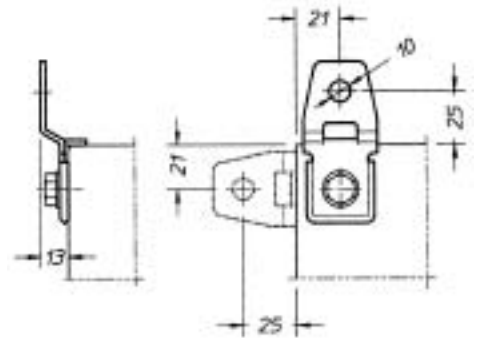


complementary accessories

WALL MOUNTING BRACKETS SDWC

Manufactured from 2.5mm zincpassivated sheet steel.
Supply includes: 4 pieces.

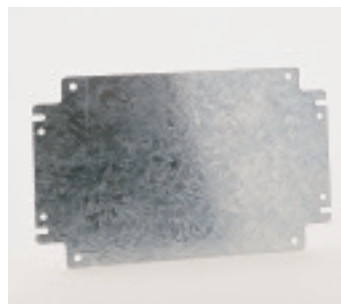
code	
mod.	art.
SDWC	010



MOUNTING PLATE SDPA

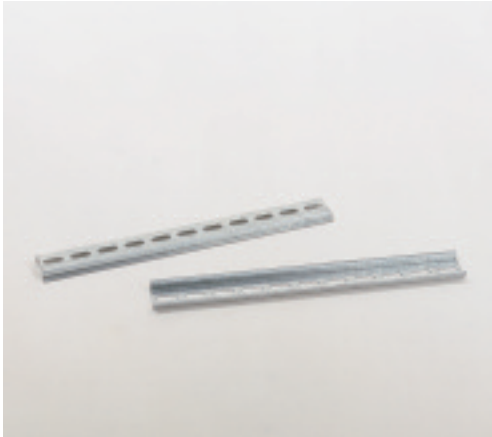
Manufactured from 2mm zincpassivated sheet steel.
Supply includes: single piece.

code		box dimensions		B	A	weight kg.
mod.	art.	width	height			
SDPA	11	150	150	140	140	0.45
SDPA	22	200	200	176	170	0.59
SDPA	31	300	150	276	140	0.87
SDPA	32		200		170	0.92
SDPA	33		300		270	1.46
SDPA	42	400	200	376	170	1.26
SDPA	43		300		270	1.99
SDPA	44		400		370	2.73
SDPA	52	500	200	476	170	1.59
SDPA	53		300		270	2.53
SDPA	62	600	200	576	170	1.92
SDPA	63		300		270	3.06
SDPA	64		400		370	4.19
SDPA	82	800	200	776	170	2.59
SDPA	84		400		370	5.64





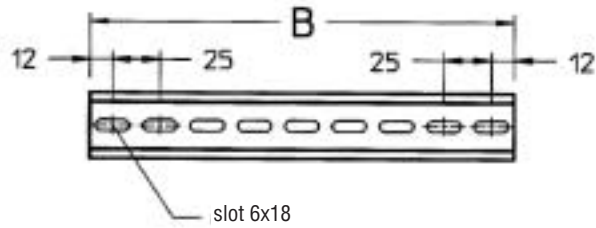
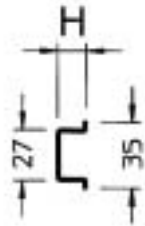
complementary accessories



INNER RAILS SDWA

Manufactured from sendzimir sheet steel bars.
Supply includes: 10 pieces.

code		box width	B	H
mod.	art.			
SDWA	013	150	125	7.5
SDWA	015	200	175	
SDWA	020	300	275	
SDWA	025	400	375	
SDWA	030	500	475	
SDWA	035	600	575	15
SDWA	040	800	775	



HINGES SDWA

Manufactured from white zincpassivated alloy.
Supply includes: 6 hinges, 6 closing caps, mounting accessories.



code	
mod.	art.
SDWA	005

