

Midi Industrial relay

Type RPY 4 - 10A

Monostable



RPY 4

- High switching power
- Wide range of applications
- 10A switching capacity
- 4 pole configuration
- Flanged pins 5mm
- DC coils from 6 to 220V
- AC coils from 6 to 380V
- Conforms to CE low voltage directive
- UL, CSA, TUV approved

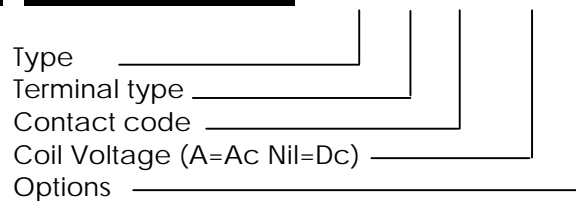
Product Description

The RPY relay can be used for a wide range of industrial applications.

Available in a 1, 2, 3, 4 pole change-over contact configuration. Its wide terminals allow reliability with big currents.

Ordering Key

RPY A 004 A24 L



Approvals



- Options!:
- Nil = standard
 - L = LED
 - T = Test Button
 - G = Gold Plated contacts
 - D = Free Wheeling diode
 - F = Flange Mount

Terminal type: A = Plug in terminals, blades
B = PCB terminals

Type Selection

Contact configuration	Contact rating	Contact code
4 change over contacts (DPDT- 4 form C)	10A	004

Coil Characteristics, DC (@25 °C), coil power 1.5W

Nominal Voltage VDC	Pick-up Voltage VDC	Drop-out Voltage VDC	Max.Allowed Voltage VDC	Coil Current mA	Coil Resistance W
6	4.5	0.6	6.6	250	24
9	6.75	0.9	9.9	170	54
12	9	1.2	13.2	125	96
24	18	2.4	26.4	70	360
36	27	3.6	39.6	42	865
48	36	4.8	52.8	31	1540
110	82.5	11	121	16	6800
220	165	22	242	7.6	29000

Specifications are subject to change without notice

Midi Industrial relay
 Type RPY 4-10 10A
 Monostable



Coil Characteristics, AC (@25 °C), coil power 2.5VA

Nominal Voltage VAC	Pick-up Voltage VAC	Drop-out Voltage VAC	Max.Allowed Voltage VAC	Coil Current mA		Coil Resistance W
				50Hz	60Hz	
6	4.8	1.8	6.6	420	360	5
12	9.6	3.6	13.2	210	180	20
24	19.2	7.2	26.4	100	85	80
36	28.8	10.8	39.6	70	60	180
48	38.4	14.4	52.8	52	44	320
100/110	88.0	30.0	121.0	25/23	21/19.5	1680
120	96.0	36.0	142.0	20	17	2000
220	176	66.0	242.0	12	10	6700
240	192	72.0	264.0	10	8.5	8000
380	304	114.0	418.0	6.5	5.5	29000

Contact Characteristics

Contact Rating (With resistive load)	10A - 250VAC	Max Switching Power	2500VA / 280W
Usually rating	10A-250VAC / 28VDC	Life	
Material	AgSnO ₂	Electrical life	1x10 ⁵ cycles (3600 ops/h)
Contact Resistance	50mW	Mechanical	1x10 ⁷ cycles (18000 ops/h)
Current		UL/CSA Ratings	1/2Hp 120Vac
Max. switching current	10A		3/4Hp 220 Vac

Insulation

Test voltage(1min.)		Insulation	
Between coil and contacts	2000VAC	According to EN61810-5	
Between open contacts	1200VAC	Rated insulation voltage	250V
Contact / contact	1200VAC	Impulsive insulation	2KV
Insulation resistance	1000MW - 500V	Overvoltage category	II

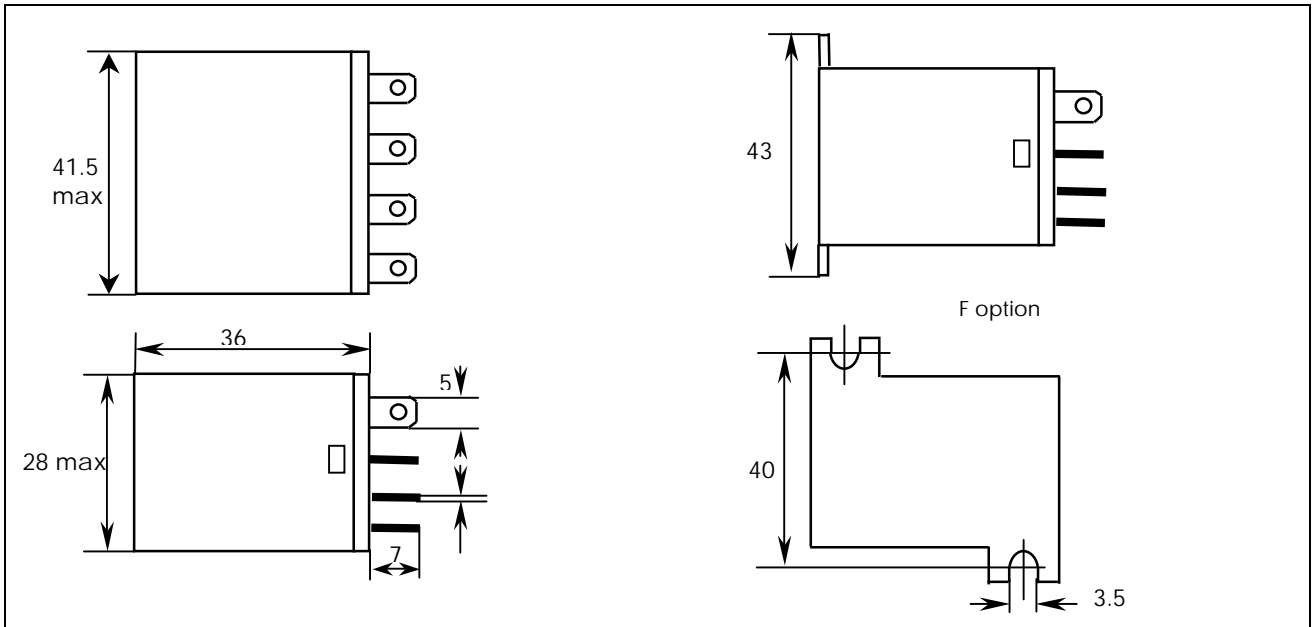
General Data

Nominal coil power	1.5W DC - 2.5VA AC	Vibration resistance	10 to 55Hz 1mm
Operating time	20ms	Shock resistance	
(at nominal voltage)		Functional	98m/s ² (10G)
Release time	20ms	Termination	Flanges (blades) 5 mm
(at nominal voltage)		Construction	Dust cover
Ambient temperature	- 25°C to + 55°C	Weight	65g
Ambient humidity	35% to 85%		

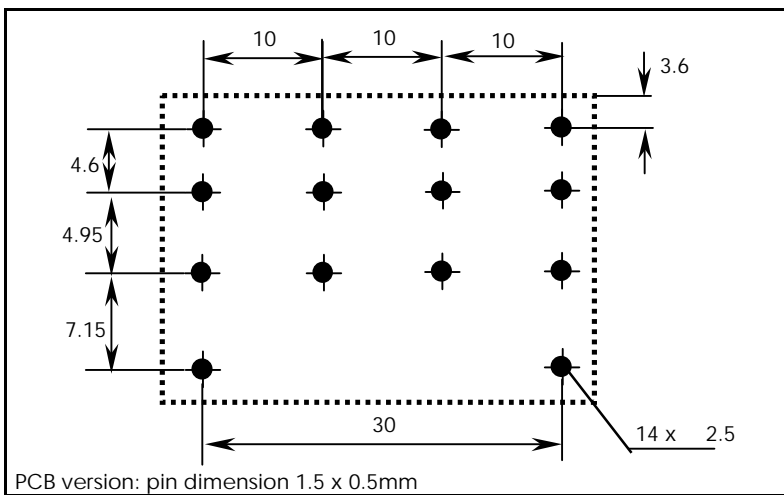
Specifications are subject to change without notice.



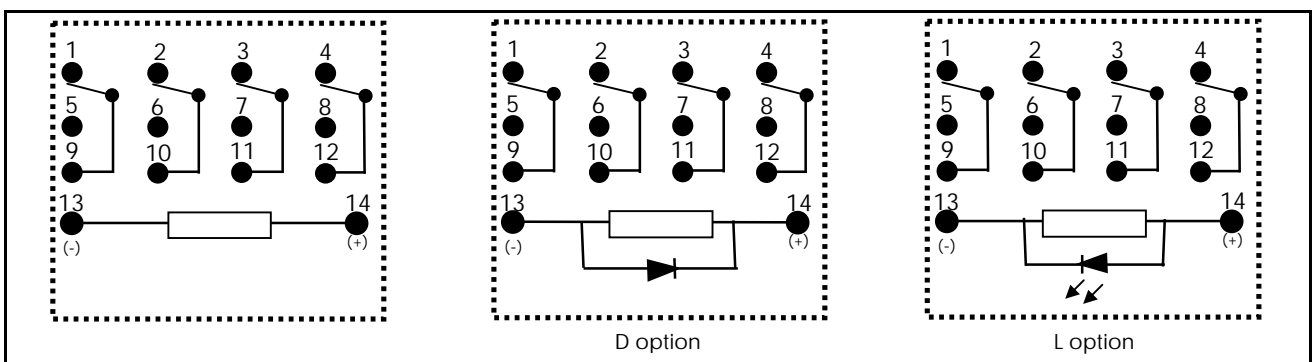
Dimensions (mm)



Pin View



Wiring Diagram

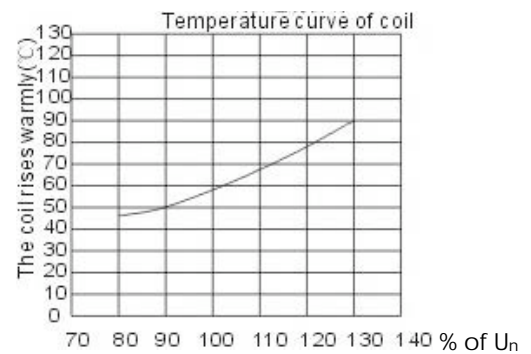
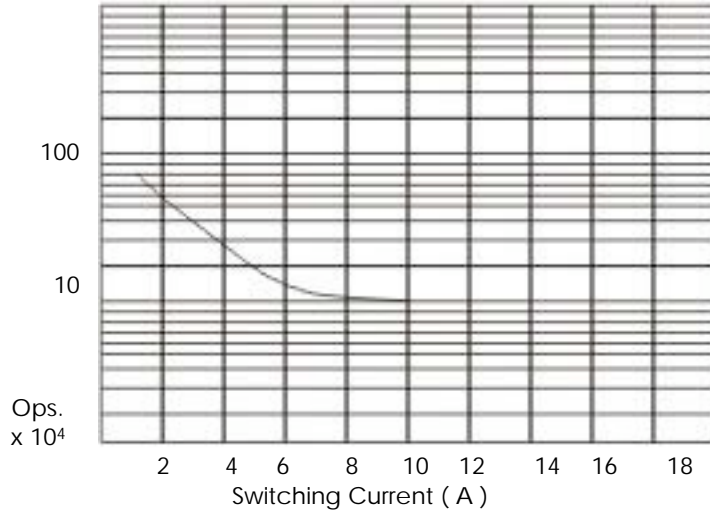


Specifications are subject to change without notice.



Diagrams

Electrical Life 24Vdc resistive load



Bases and Sockets

For RPY sockets refer to page xxx of general catalogue