

# Definite Purpose Contactors

## 3-pole

### Type CGDP



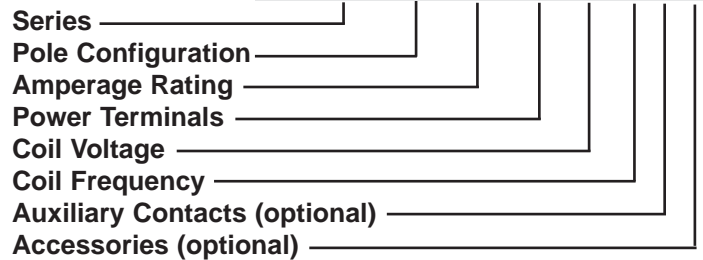
- Definite Purpose Contactor
- Switching up to 40A inductive, 50A resistive
- Coils up to 575VAC, 50/60 Hz
- cRUus, CSA, CE, and RoHS
- Faston (standard) or box lug terminals
- Available configured as reversing definite purpose contactor
- Cost effective

### Product Description

Power contactors specifically designed for the OEM when performance and cost must be optimized. Perfect choice for HVAC, lighting, pumps, compressors, pools, spas, welders, etc.

Available in standard 3-pole type or configured as a reversing definite purpose contactor.

**Ordering Key** CGDPR 30 20 LN F 5



### Type Selection

<u>Series</u>	<u>Pole Configuration</u>	<u>Amperage Rating</u>	<u>Power Terminals</u>
CGDP - Standard type	30: 3-pole	20: 20 A	<b>Blank:</b> Screw terminal, power and load side (standard)
CGDPR - Reversing type		25: 25 A	<b>N:</b> Without fast-on terminals
		30: 30 A	<b>L:</b> Lug terminal, power and load side
		40: 40 A	<b>LN:</b> Lug terminals without fast-on
			<b>M:</b> Power side screw, load side lug
<u>Coil Voltage</u>	<u>Coil Frequency</u>	<u>Aux. Contacts (optional)</u>	<u>Accessories (optional)</u>
B: 24 VAC	5: 50/60 Hz	<b>Blank:</b> No aux. contacts (standard)	<b>Blank:</b> With arc cover (standard)
F: 120 VAC		<b>A:</b> One 3A aux. (right side x1)	<b>S:</b> without arc plate
K: 208-240 VAC		<b>B:</b> Two 3A aux. (both sides x1)	<b>T:</b> with anti-dust plate
Y: 277 VAC		<b>C:</b> Three 3A aux. (right x2, left x1)	
Q: 480 VAC			
Z: 575 VAC			



Technical Specifications:

Catalogue Number	Standard (non-reversing) Type		CGDP-3020	CGDP3025	CGDP-3030	CGDP-3040
	Reversing Type		CGDPR-3020	CGDPR-3025	CGDPR-3030	CGDPR-3040
Rated Insulation Voltage (Ui) UL/IEC			600/660V	600/660V	600/660V	600/660V
Rated Operational Voltage (Ue) UL/IEC			600/660V	600/660V	600/660V	600/660V
Thermal Current (Ith) A			30	35	40	50
Full Load Amps (FLA) A			20	25	30	40
Locked Rotor Amps (LRA)	240/277V		120	150	180	240
ARI 780/790	480V		100	125	150	200
	600V		80	100	120	160
Resistive Load Amps (RES)			30	35	40	50
			HP/A	HP/A	HP/A	HP/A
UL508	Full Load Amps (FLA)	Single Phase				
		120V	1.5 / 20	2 / 24	2 / 24	3 / 34
		240/277V	3/17	3/17	5/28	7.5 / 40
IEC 60947-1		220V	20	25	30	40
IEC60947-4-1		380V	20	25	30	40
AC 7a, AC 8a		Resistive Load Amps (RES) A	32	35	40	50

Coil Characteristics:

CGDP3020 to 3040, CGDPR3020 to 3040:

Voltage Frequency	24V 50/60Hz		120V 50/60Hz		208-240V 50/60Hz		277V 50/60Hz		480V 50/60Hz	575V 50/60Hz
	50 Hz	60 Hz	50 Hz	60 Hz	50 Hz at 220V	60 Hz at 240V	50 Hz	60 Hz	60 Hz	60Hz
Pick-up Voltage	Max. 80% of rated control voltage									
Drop-out Voltage	30 to 60% of rated control voltage									
Inrush VA	Max. 6.5									
Sealed VA	13.4	10.0	12.6	10.8	9.4	9.4	13.2	11.1	11.0	11.0
Sealed Watts	8.5	7.0	8.0	7.0	5.5	5.0	8.0	7.0	6.5	5.5

**Environmental Data:**

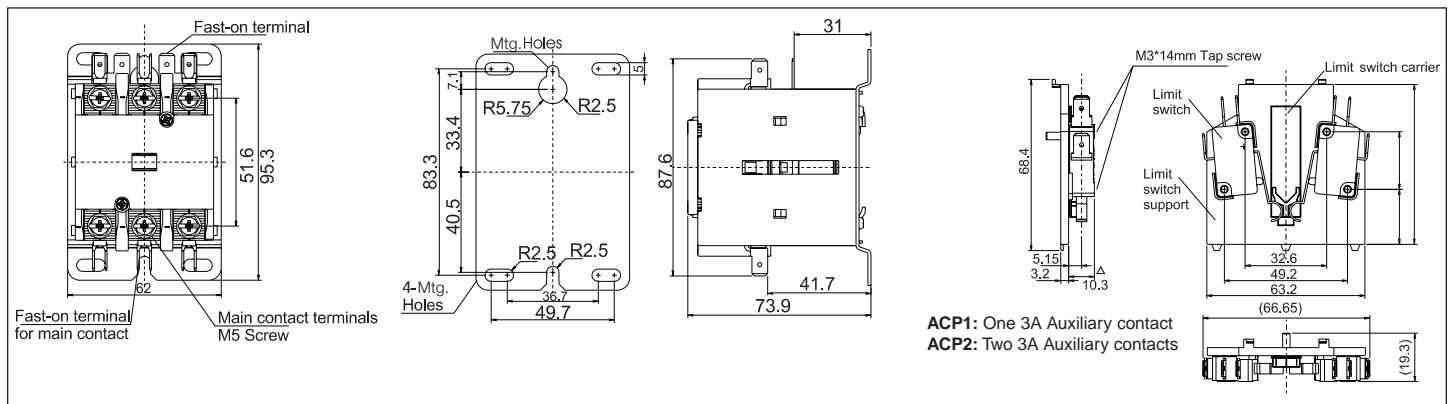
<b>Temperature range:</b>	Storage and operating: -10°C to +55°C
---------------------------	--

**Mechanical Data:**

<b>Load Terminals:</b>	M5 Screw with quad 0.250" fast-on connectors (standard) Box lug with quad 0.250" fast-on connectors (optional)
<b>Tightening Torque:</b>	25 in-lb
<b>Wire Size:</b>	14-4 AWG
<b>Control Terminals:</b>	Dual 0.250" fast-on connectors

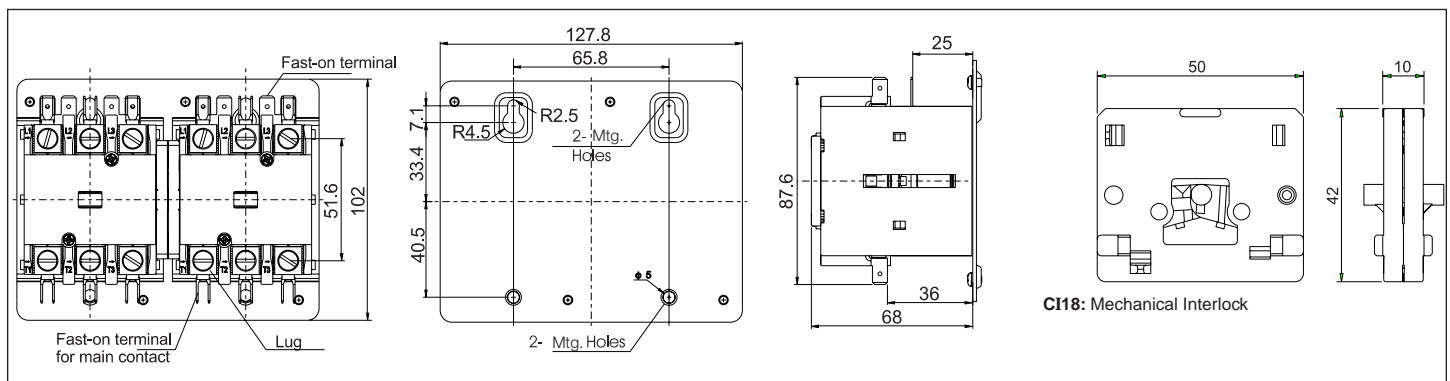
**Dimensions:**

In mm for models: CGDP3020 to 3040, optional ACP1, ACP2 aux. contacts



**Dimensions:**

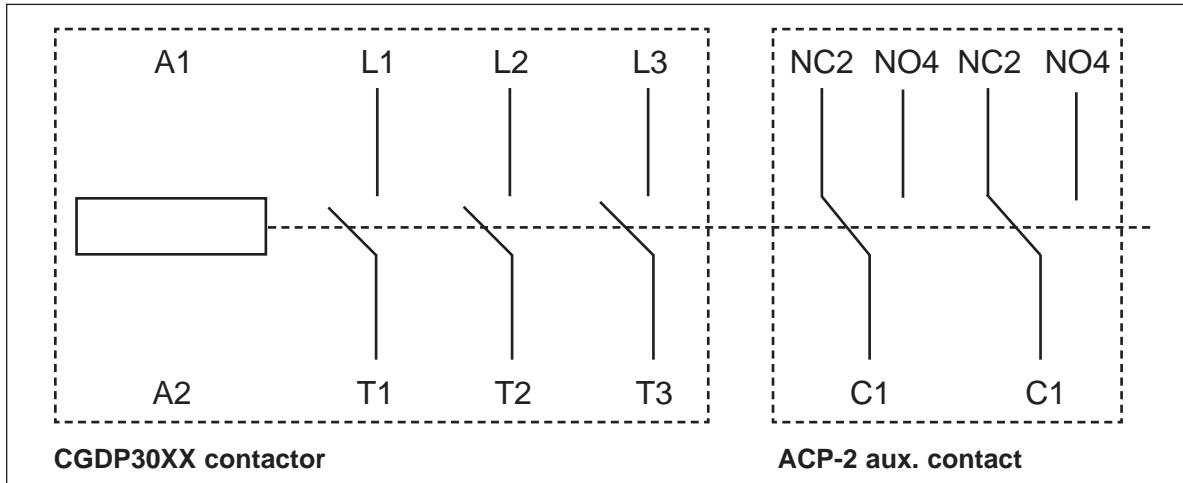
In mm for models: CGDPR3020 to 3040



Connection Diagram:

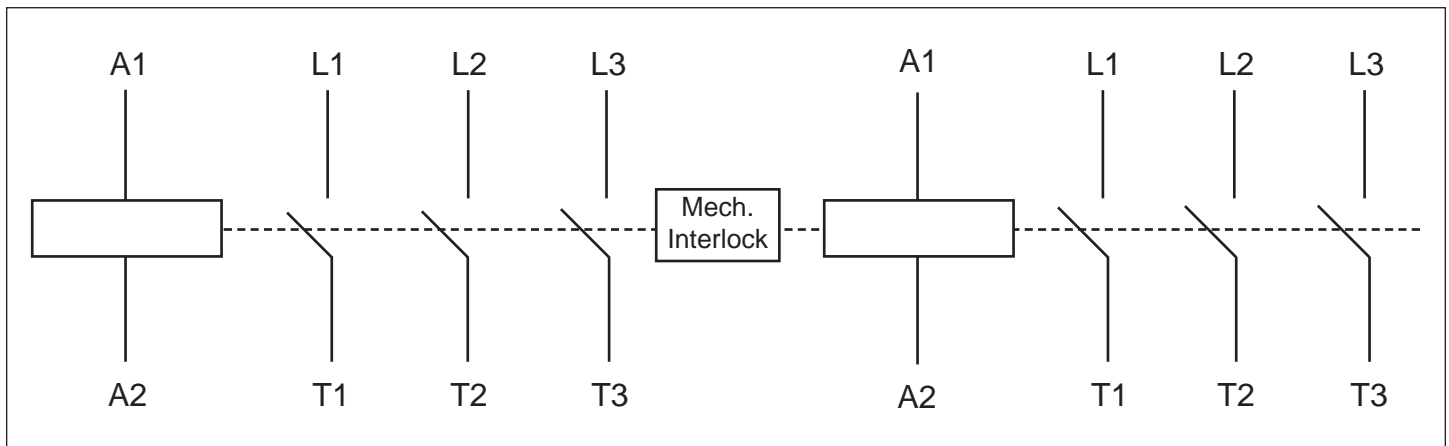
**Three pole non-reversing  
 CGDP30XX**

(shown with optional ACP-2 aux contact installed)



**Three pole reversing  
 CGDPR30XX**

(note: contactors are mechanically interlocked but not pre-wired for reversing operation)



Other Information:

**Accessories:**

Auxiliary contacts:

Single:

ACP-1 1x SPDT Form C

Dual:

ACP-2 2x SPDT Form C

Electrical rating:

3A

**Compliance:**



**Agency Approvals:**

