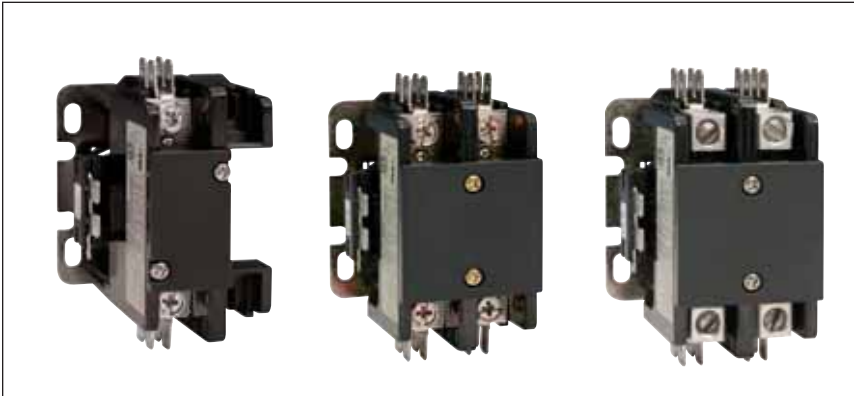


Definite Purpose Contactors

1 pole, 1 pole + shunt, 2 pole
Type CGDP

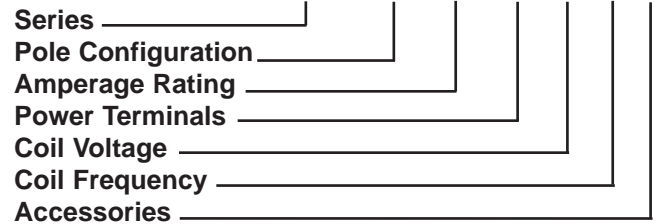


- Definite Purpose Contactor
- Switching up to 40A inductive, 50A resistive
- Coils up to 277VAC, 50/60 Hz
- cRUus, CSA, CE, and RoHS
- Faston (standard) or box lug terminals
- Cost effective

Product Description

Power contactors specifically designed for the OEM when performance and cost must be optimized. Perfect choice for HVAC, lighting, pumps, compressors, pools, spas, welders etc.

Ordering Key CGDP 20 20 LN F 5 T



Type Selection

Series	Pole Configuration	Amperage Rating	Power Terminals
CGDP: Definite Purpose Contactor	10: 1-pole 15: 1-pole + shunt 20: 2-pole	20: 20 A 25: 25 A 30: 30 A 40: 40 A	Blank: Screw terminal, power and load side (standard) N: Without fast-on terminals L: Lug terminal, power and load side LN: Lug terminals without fast-on M: Power side screw, load side lug
Coil Voltage	Coil Frequency	Accessories	
B: 24 VAC F: 120 VAC K: 208-240 VAC Y: 277 VAC	5: 50/60 Hz	Blank: with arc cover (standard) S: without arc plate T: with anti-dust plate	



Technical Specifications:

Catalogue Number	1 Pole		CGDP-1020	CGDP-1025	CGDP-1030	CGDP-1040
	1 Pole + Shunt		CGDP-1520	CGDP-1525	CGDP-1530	CGDP-1540
	2 Pole		CGDP-2020	CGDP-2025	CGDP-2030	CGDP-2040
Rated Insulation Voltage (Ui) UL/IEC			600/660V	600/660V	600/660V	600/660V
Rated Operational Voltage (Ue) UL/IEC			600/660V	600/660V	600/660V	600/660V
Thermal Current (Ith) A			30	35	40	50
	Full Load Amps (FLA) A		20	25	30	40
	Locked Rotor Amps (LRA)	240/277V	120	150	180	240
		480V	100	125	150	200
ARI 780/790		600V	80	100	120	160
	Resistive Load Amps (RES)		30	35	40	50
			HP/A	HP/A	HP/A	HP/A
UL508	Full Load Amps (FLA)	Single Phase 120V	1.5 / 20	2 / 24	2 / 24	3 / 34
		240/277V	3 / 30	3 / 17	5 / 28	7.5 / 40
IEC 60947-1	Full Load Amps	220V	20	25	30	40
IEC60947-4-1		380V	20	25	30	40
AC 7a, AC 8a	Resistive Load Amps (RES) A		32	35	40	50

Coil Characteristics:

CGDP1020 to 1040, CGDP1520 to 1540:

Voltage Frequency	24V 50/60Hz		120V 50/60Hz		208-240V 50/60Hz		277V 60Hz
	50 Hz	60 Hz	50 Hz	60 Hz	50 Hz at 220V	60 Hz at 240V	60 Hz
Pick-up Voltage	Max. 75% of rated control voltage						
Drop-out Voltage	30 to 60% of rated control voltage						
Inrush VA	22.2	20.3	23	20.5	22.4	24	20
Sealed VA	7.4	5.3	7.4	5.1	7.3	6.7	5
Sealed Watts	3.3	2.4	3.4	2.4	3.5	3.1	2.5

Coil Characteristics:

CGDP2020 to 2040:

Voltage Frequency	24V 50/60Hz		120V 50/60Hz		208-240V 50/60Hz		277V 60Hz
	50 Hz	60 Hz	50 Hz	60 Hz	50 Hz at 220V	60 Hz at 240V	60 Hz
Pick-up Voltage	Max. 75% of rated control voltage						
Drop-out Voltage	30 to 60% of rated control voltage						
Inrush VA	30.2	27.5	34.2	3.1	35.2	37.2	31.6
Sealed VA	6.5	4.8	7.3	5.5	7.5	6.7	5.3
Sealed Watts	3.6	3.0	3.9	3.4	4.1	4.1	3.3

Environmental Data:

Temperature Range:

Storage and operating:
 -10°C to 55°C

Mechanical Data:

Load Terminals:

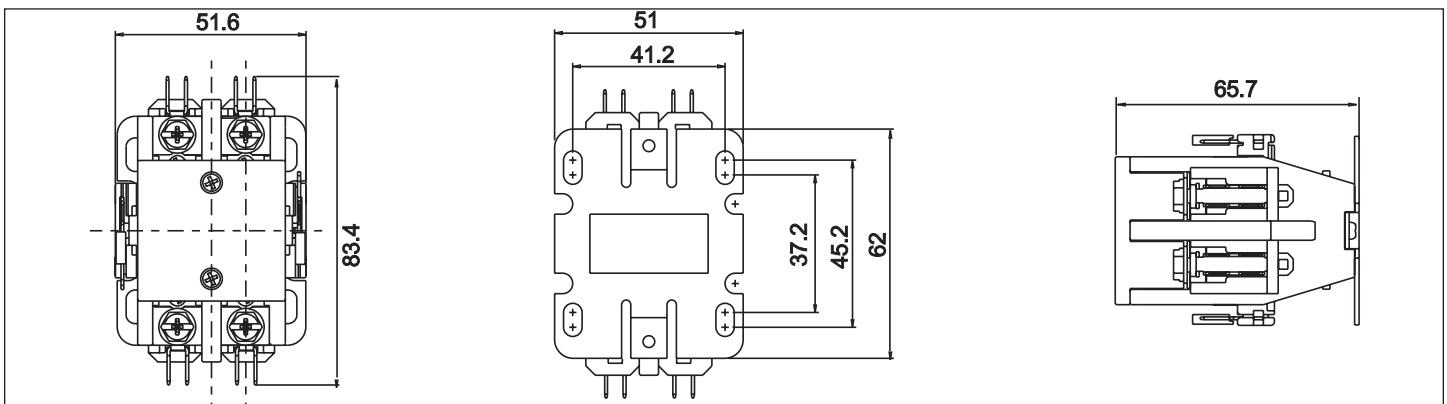
M5 screw with quad 0.250" fast-on connectors (standard)
 Box lug with quad 0.250" fast-on connectors (optional)
 Tightening Torque: 25 in-lb
 Wire Size: 14-4 AWG

Control Terminals:

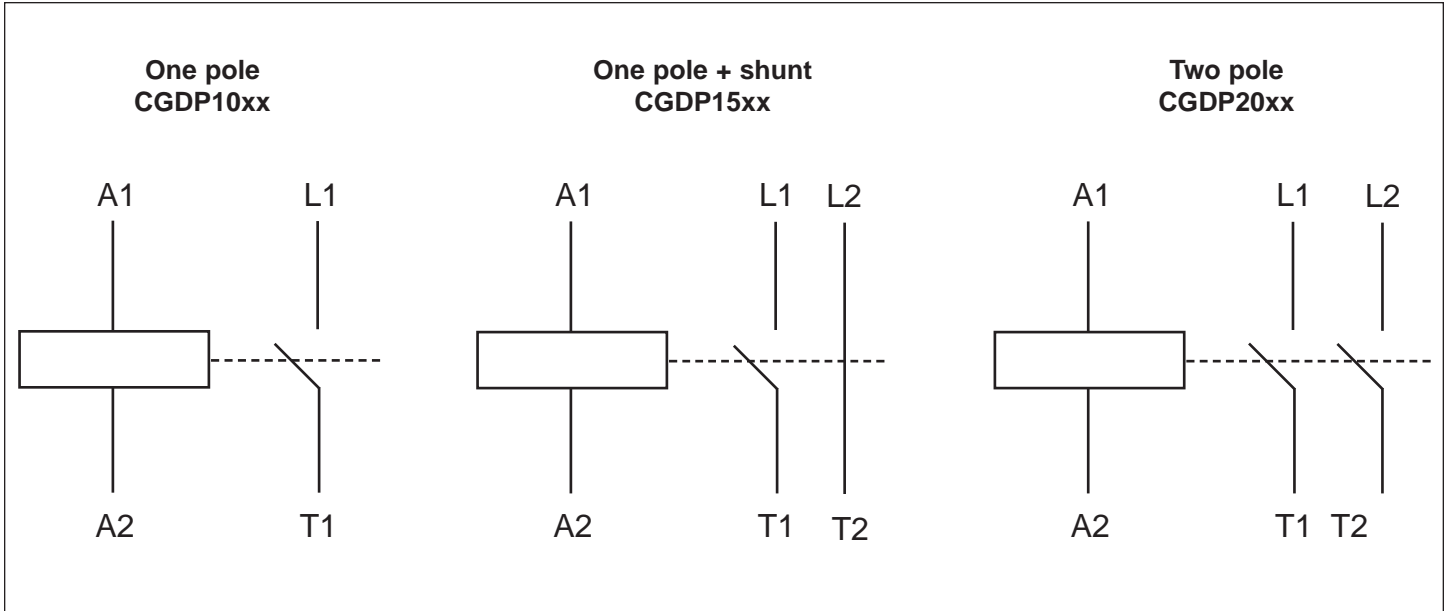
Dual 0.250" fast-on connectors

Dimensions:

In mm for models: CGDP1020 to 1040, CGDP1520 to 1540, CGDP2020 to 2040



Connection Diagram:



Other Information:

Accessories:	None
Compliance:	
Agency Approvals:	