

Photoelectrics Amplifier Type S142A..

CARLO GAVAZZI



- μ -Processor controlled
- Amplifier relay for photoelectric switches
- Automatic or manual emitter power regulation
- Self-diagnostic functions
- Alignment help
- Timer option, S142B..
- Rated operational voltage:
24 VAC/DC, 115 VAC or 230 VAC
- Output 8 A/250 VAC SPDT relay and 100 mA NPN
- LED indication: Automatic gain, output, level, emitter or receiver fault



Product Description

μ -Processor controlled amplifier for one set of photoelectric sensors, type MOFTR. Utilising an 11-pin circular plug for easy connection. 8 A SPDT relay output, NPN / PNP transistor output or alarm output. Diagnostics

for sensor test during operation. Alignment help via LED or alternation of alarm output. Level indication for dirt accumulation. Manual or automatic emitter power regulation. Two emitter codes available for high neighbour immunity.

Ordering Key

S142 A RNN 924

Type _____
 Special function _____
 Output type _____
 (R-Relay, N-NPN, P-PNP, T-Test)
 Power supply _____

Type Selection

| Function diameter | Ordering no. Supply: 24 VAC/DC | Ordering no. Supply: 115 VAC | Ordering no. Supply: 230 VAC |
|----------------------------|--------------------------------|------------------------------|------------------------------|
| NPN output & Test input | S142 A RNT 924 | S142 A RNT 115 | S142 A RNT 230 |
| NPN output & Alarm output | S142 A RNN 924 ¹⁾ | S142 A RNN 115 ¹⁾ | S142 A RNN 230 ¹⁾ |
| PNP out., PNP alarm & Test | S142 A PPT 924 | S142 A PPT 115 | S142 A PPT 230 |

¹⁾ Amplifier replacement for S1420156xxx

Specifications

| | | | | |
|--|---|--|--|--|
| Rated operational voltage (U_B) Pins 2 & 10 | 230 115 924 | 195 to 265 VAC, 45 to 65 Hz 98 to 132 VAC, 45 to 65 Hz 20.4 to 27.6 VAC/DC Class 2 | Output function Relay Transistor Alarm | Make or break on DIP-switch SPDT NPN / PNP, 100 mA, 40 VDC NPN / PNP, 100 mA, 40 VDC Delay on alarm 10 sec |
| Rated operational power AC supply AC/DC supply | 3.3 VA 1.6 VA / 1.4 W | | Test input (Mute) Emitter enabled Emitter disenabled I _{max} @ 40 VDC | NPN > 5.0 VDC PNP < V _{CC} - 3 VDC < 3.0 VDC > V _{CC} - 5 VDC 1 mA |
| Delay on operate (t_v) | < 300 mS | | Protection output transistor | Reverse polarity, short circuit and transients |
| Outputs Relay Rating (AgCdO) Resistive loads AC1 DC1 or Electrical life (typical) AC1 | μ (micro gap) 8 A / 250 VAC (2500 VA) 0.2 A / 250 VDC (50 W) 2 A 25 VDC (50 W) > 100.000 operations | | Supply to sensors Emitter Supply voltage (open loop) Current Output resistance Receiver Supply voltage (open loop) Short-circuit current Input resistance | Pins 5 & 7 15 V square wave < 450 mA, short circuit protected 10 Ω Pins 6 & 8 5 VDC 10 mA 470 Ω |
| Transistor output data Output current (I _e) Voltage drop (U _d) | < 100 mA @ 40 VDC (max. load capacity 100 nF) < 2,5 VDC @ 100 mA | | | |

Specifications

| | | | |
|---|--|--|---|
| Emitter power Power | Settings on DIP switch no 4, 50 % or 100 % range | Response time OFF-ON (t_{ON}) ON-OFF (t_{OFF}) | 20 mS 30 mS |
| Adjustment Manual Automatic /Auto LED ON) | 240° Potentiometer Potentiometer settings to minimum | Environment Overvoltage category Degree of protection Pollution degree | III (IEC 60664) IP 20 /IEC 60529, 60947-1) 3 (IEC 60664/60664A, 60947-1) |
| Sensing distance | Maximum range indicated on photoelectric switch data- sheets in 100 % settings | Temperature Operating Storage | -20° to +50°C (-4° to +122°F) -50° to +85°C (-58° to +185°F) |
| Rated insulation voltage (U_i) | 250 VAC | Housing material | NORYL SE1, light grey |
| Dielectric voltage | >2.0 KVAC (rms) (contacts / electronics) | Weight AC supply AC/DC supply | 200 g 125 g |
| Rated impulse withstand volt. | 4 kV (1.2/50 μ S) (contacts / electronics) (IEC 664) | Approvals | UL508, UL325, CSA |
| Operating frequency (f) Light / Dark ratio Relay output Transistor output | 1:1 20 HZ 20 HZ | CE marking | EN12445, EN12453, EN12978 |

Specifications

Diagnostic

If a fault occurs on either the emitter or receiver the Alarm LED and output will turn ON.

Receiver fault:

During normal operation the receiver is monitored for faults.

If the wires are short-circuited the "Code A, Yellow LED" flashes at a rate of 2 Hz.

If the wires are broken the "Code A, Yellow LED" flashes at a rate of 4 Hz.

Emitter fault:

During normal operation the emitter is monitored for faults.

If the wires are short-circuited the "Code B, Green LED" flashes at a rate of 2 Hz.

If the wires are broken the "Code B, Green LED" flashes at a rate of 4 Hz.

Alignment:

If the alignment DIP switch is set the Yellow Signal LED Flashes according to the signal quality.

Low frequency means weak signal.

Steady indication means maximum signal. On long distance it is not possible to get a steady signal but the alignment is optimal when the led flashes with the highest frequency.

On short distance the emitter power can be reduced using the potentiometer and then get better readings in the alignment LED.

The ALARM output will follow the Signal LED in align-

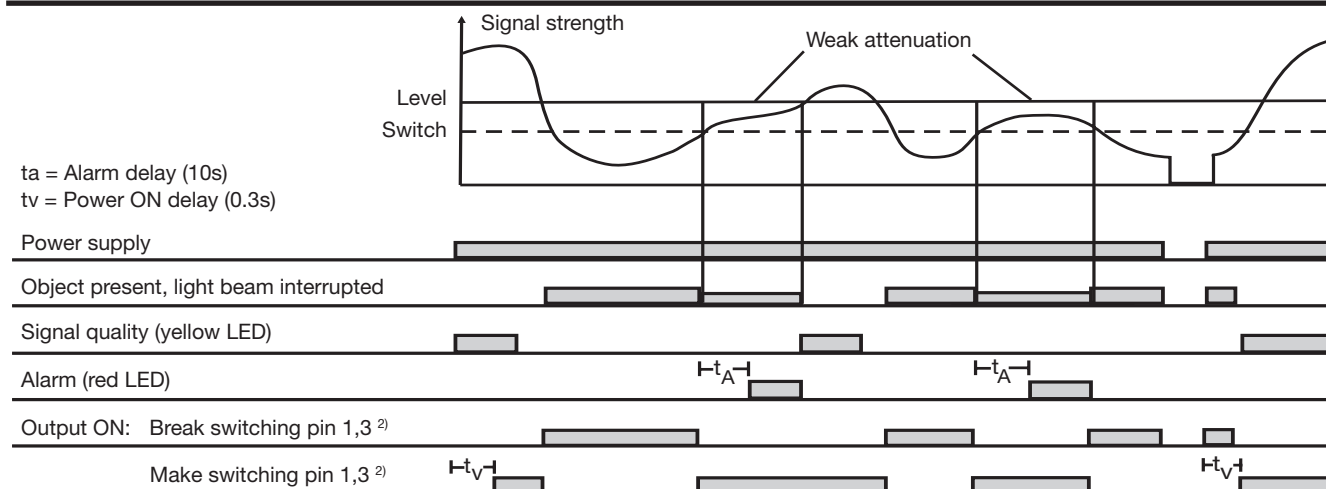
ment mode, so a Sensor tester (optional) can be connected to serve as a remote induction during alignment of the sensors.

NB! In alignment mode the output is off.

Code A or B

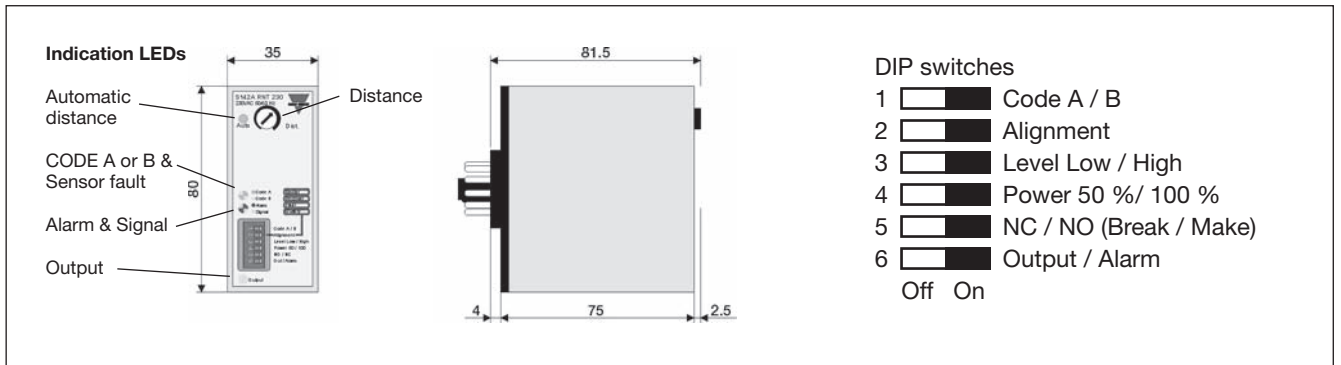
When two sensor pairs are mounted close to each other it is recommended to select one set to Code A and the other to Code B to avoid crosstalk.

Operation Diagram

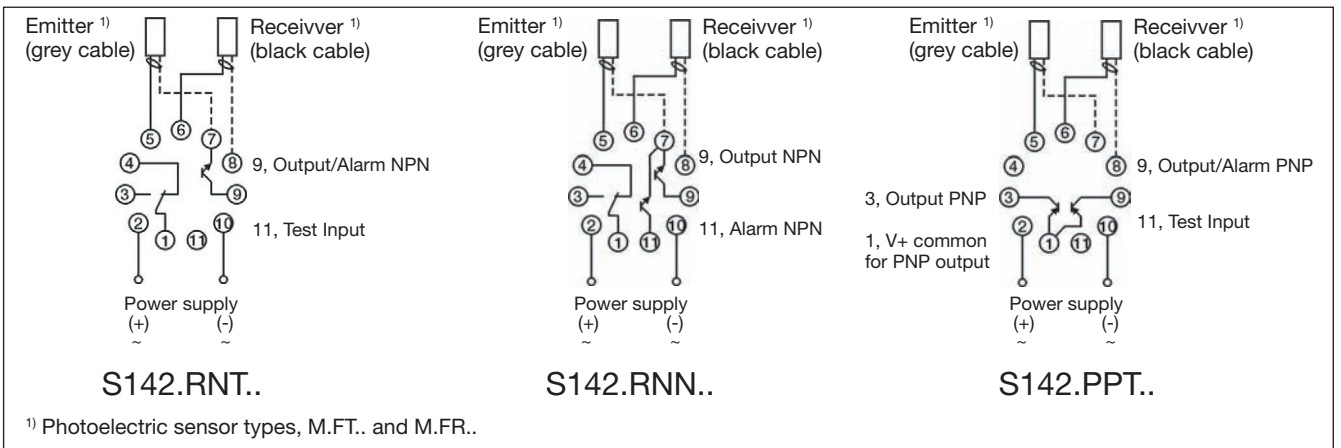


²⁾ Switching function selected by DIP-switch, inverted function on pin 1, 4

Dimensions



Wiring Diagram



Connection to sortester

Connection to sortester ST-03 for alignment

| | Sortester | | |
|-------------|-----------|--------|---|
| | - | Signal | + |
| RNT Pin no. | 10 | 9 | |
| RNN Pin no. | 10 | 11 | |
| PPT Pin no. | | 9 | 2 |

Accessories

- 11 pole circular socket ZPD11
- Holding down spring HF
- Mounting rack SM13
- Front panel mounting bezel FRS2

Delivery Contents

- Amplifier
- **Packaging:** Carton box