

Proximity Sensors Inductive Rectangular, Nickel-plated Brass Housing Types IC, ID, Cable and Plug



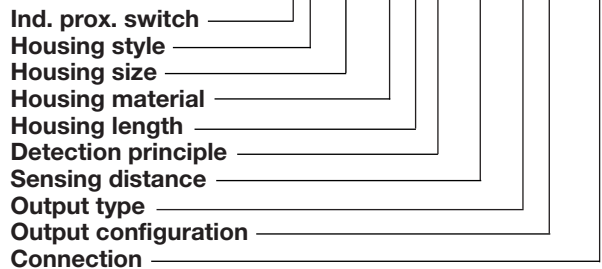
- Nickel-plated brass housings
- Sensing distance: 1.5 or 5 mm
- For flush mounting
- Output: IC 08: Transistor, NPN/PNP, make switching
ID 25: Transistor, NPN/PNP, make switching or change over
- Power supply: 5/10 to 30 VDC (IC 08)
5 to 36 VDC (ID 25)
- Protection: Short-circuit
- 2 m PVC cable or M8 plug (IC 08)

Product Description

Inductive proximity sensor in squared nickel-plated brass housing. This series is suitable for the control of axial and rotational movements. Output configured as PNP or

NPN, make switching (IC types), make or break switching (ID types). Connection with 2 m PVC cable or M8 plug (IC types only).

Ordering Key **IC 08 ANC 15 NO M5-K**



Type Selection

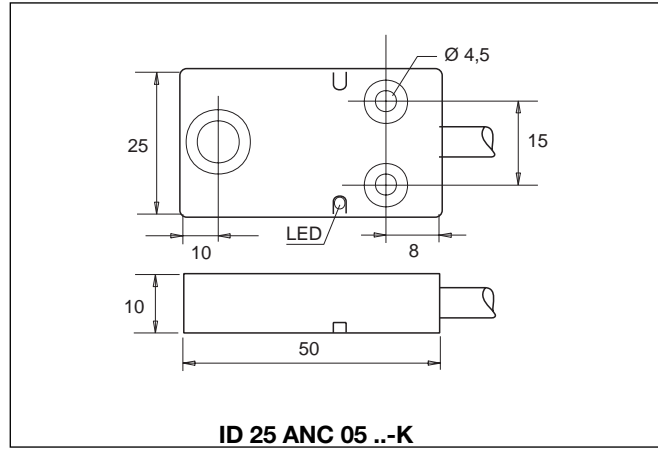
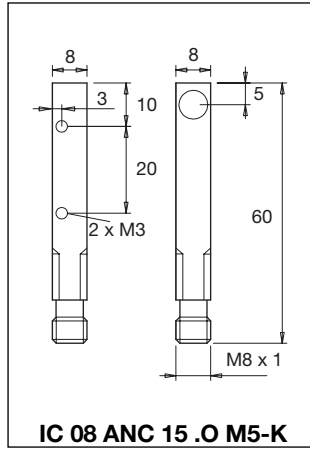
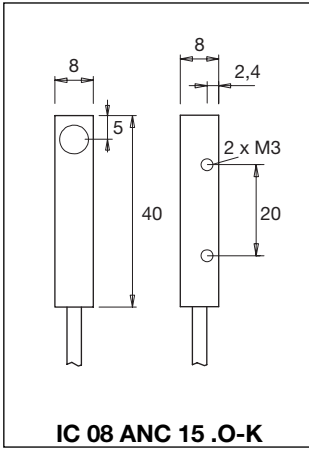
Rated op. dist. (S _n)	Con- nec- tion	Dimen- sions [mm]	Ordering no. Transistor, NPN Make switching	Ordering no. Transistor, NPN Change over	Ordering no. Transistor, PNP Make switching	Ordering no. Transistor, PNP Change over
1.5 mm	Cable	8 x 8 x 40	IC 08 ANC 15 NO-K		IC 08 ANC 15 PO-K	
1.5 mm	Plug	8 x 8 x 60	IC 08 ANC 15 NO M5-K		IC 08 ANC 15 PO M5-K	
5 mm	Cable	25x10 x 50	ID 25 ANC 05 NO-K	ID 25 ANC 05 NA-K	ID 25 ANC 05 PO-K	ID 25 ANC 05 PA-K

All types for flush mounting in metal

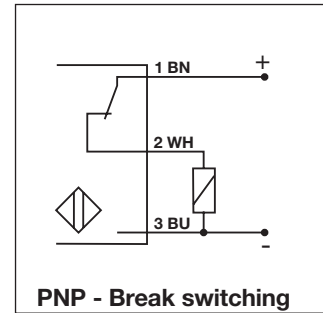
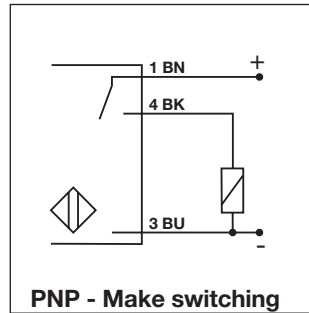
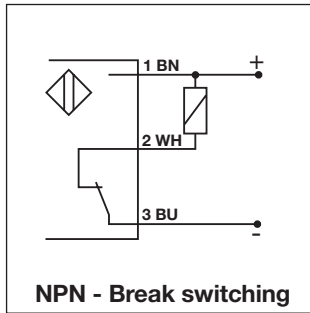
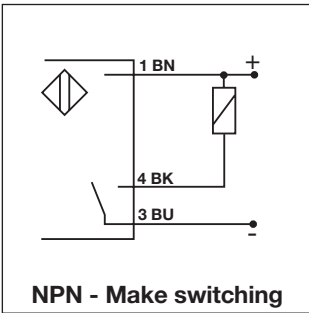
Specifications

Rated operational volt. (U_B) IC 08 O-K IC 08 OM5-K ID 25	5 to 30 VDC (ripple included) 10 to 30 VDC (ripple included) 5 to 36 VDC (ripple included)	Indication for output ON	LED, yellow (ID25 only)
Ripple	≤ 10%	Sensing distance	IC08: 1.5 mm ID25: 5 mm
Rated operational current (I_o) Continuous	≤ 200 mA @ 25°C	Effective operating dist. (S_r)	0.9 x S _n ≤ S _r ≤ 1.1 x S _n
No-load supply current (I_o) IC08 O-K and ID 25 IC08 OM5-K	≤ 10 mA (ON) ≤ 9 mA (ON)	Usable operating dist. (S_u)	0.85 x S _r ≤ S _u ≤ 1.15 x S _r
Voltage drop (U_d) IC08 O-K IC08 OM5-K and ID 25	< 1.7 V (@ I _{max}) < 1.0 V (@ I _{max})	Ambient temperature Operating Storage	-25° to +70°C (-13° to +158°F) -30° to +75°C (-22° to +167°F)
Protection	Short circuit	Degree of protection IC08 O-K IC08 OM5-K and ID25	IP 65 IP 67 (Nema 1, 3, 4, 6, 13)
Frequency of op. cycles (f) IC08 O-K and ID 25 IC08 OM5-K	1 kHz 2 kHz	Housing material	Nickel-plated brass
		CE-marking	Yes
		Connection	Cable, 2 m, PVC, AWG 26 or Plug M8, CONH5A-xxx serie (plug versions only IC 08)

Dimensions



Wiring Diagrams



Installation Hints

