

Safety Light Curtains

Finger resolution SB4M-14 Series

CARLO GAVAZZI



- Safety Category 4
- Resolution 14 mm (finger)
- Protected height 161-1190 mm
- External Device Monitoring (EDM)
- Fixed Blanking and Floating Blanking
- Cascade configuration
- Auto/Manual restart selectable
- Status/failure diagnosis by LED's
- Easy alignment and installation
- Compact profile
- Approvals:



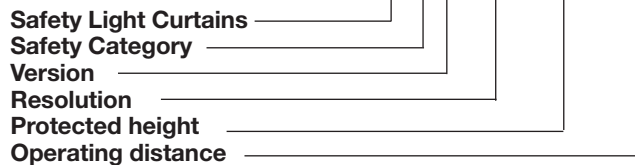
Product Description

Safety category 4 light curtains according to IEC 61496-1 and IEC 61496-2. The SB4M-14 series is featured by finger resolution and is provided with External Device Monitoring which allows to utilize these light curtains without external safety control unit. The Blanking function - Fixed or Floating mode selectable - is used in those

applications where material passage or mechanical obstacle presence must not cause machine interruption. The cascade connection allows to combine the functioning of two light curtains - master and slave - placed in different positions. The dip-switches placed in the slot provided in the receiving unit allow quick and safe configuration.

Ordering Key

SB4M 14 161 D6



Type Selection

Protected height (mm)	Overall height (mm)	Number of beams	Response time (ms) (Master)	Ordering no. Master	Ordering no. Slave
161 (6.3 in.)	256	21	21	SB4M14161D6	SB4N14161D6
308 (12.1 in.)	403	42	28	SB4M14308D6	SB4N14308D6
455 (17.9 in.)	550	63	35	SB4M14455D6	SB4N14455D6
602 (23.7 in.)	697	84	41	SB4M14602D6	SB4N14602D6
749 (29.5 in.)	844	105	48	SB4M14749D6	SB4N14749D6
896 (35.3 in.)	991	126	55	SB4M14896D6	SB4N14896D6
1043 (41.1 in.)	1138	147	62	SB4M141043D6	SB4N141043D6
1190 (46.9 in.)	1285	168	68	SB4M141190D6	SB4N141190D6

General Specifications

Safety category	type 4	Resolution	14 mm
Operating distance	0,2.....6 m	Functions (Master unit)	EDM, fixed/floating BLANKING, CASCADE Automatic/manual restart

Electrical Specifications

Power supply	24 Vdc ± 20%	Light emission	Infrared (880 nm)
Emitter consumption	55 mA max	Output function	2 PNP
Receiver consumption	125 mA max (no load)	Output current	0.5 A max (single output)

Specifications are subjected to change without notice (10.07.06)

Environmental Specifications

Operating temperature

-10 ÷ + 55°C

Storage temperature

-25 ÷ + 70°C

Mechanical Specifications

Receiver connection

M12 8-poles Standard cable length 3, 5 or 10 m

Protection degree

IP 65

Emitter connection

M12 4-poles Standard cable length 3, 5 or 10 m

Housing material

Painted aluminium (yellow Ral 1003)

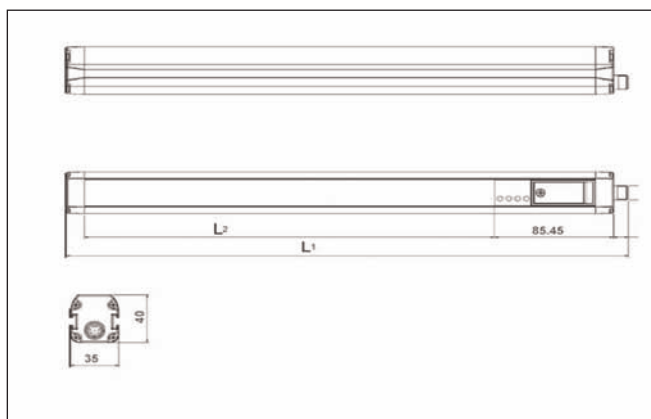
Master/Slave connection

M12 5-poles Standard cable length 0,5 m (included in slave unit package)

Weight

1.2 Kg max/m of total height

Dimensions



MODELL	L1 (mm)	L2 (mm)
SB4y-14/161-D6	256	147
SB4y-14/308-D6	403	294
SB4y-14/455-D6	550	441
SB4y-14/602-D6	697	588
SB4y-14/749-D6	844	735
SB4y-14/896-D6	991	882
SB4y-14/1043-D6	1138	1029
SB4y-14/1190-D6	1285	1176

y = EDM/ Blanking/Cascade versions

Wiring Diagrams

