

Proximity Magnetic Sensors Rectangular Body, S series



- Plastic case
- Rectangular shape
- Side operated
- NO, NC, CO, Bistable or Bistable CO output functions
- Sensible and reliable contacts

Product Description

The standard proximity magnetic sensor series is characterized by a plastic rectangular case; the sensor switching is side type. Several operating distances may be obtained thanks to the wide range of magnetic units available. Two holes provided in the body allow an easy and fast mounting.

Ordering Key

S.B.2/S5

Type _____
 Output Function _____
 Reed Contact Type _____
 Special Version _____

Type Selection

Output function	References
Normally Open	S.A.2 S.A.8
Normally Closed	S.C.2 S.C.8
Change-over	S.S.2
Bistable	S.B.2 S.B.2/S5
Bistable Change-over	S.BS.2

General specification

External dimensions	21,2 x 11,5 x 79 mm
Case	Plastic
Protection degree	IP67
Operating temperature	-25 to +75 °C
Output connection	PVC Cable

Electrical specifications

Contacts	2	8	S.2
Max switching voltage	250 Vac	1500 Vac	220 Vac
Max switching current	3 A	3 A	1 A
Max switching power	100 VA	120 VA	60 VA

Operating distance

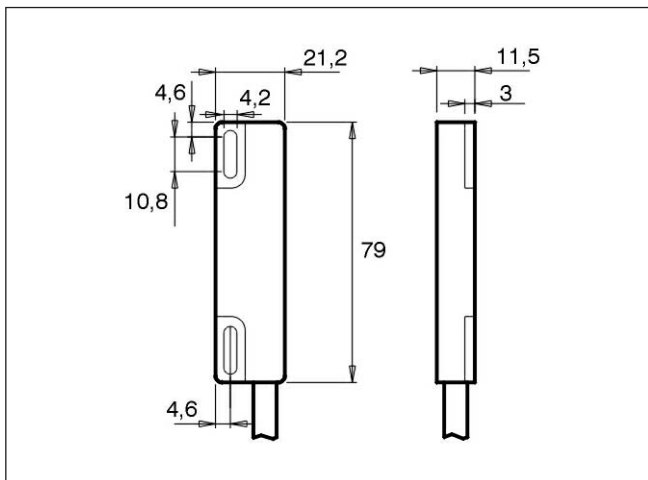
Magnetic Units	CL.2	CL.3	CL.4	CL.10	CL.11	CL.18	CL.20/S1	CL.20/S3	CL.23	CL.31
S.A.2, S.A.8, S.S.2	10	16	32	-	-	-	-	-	-	-
S.C.2, S.C.8	9/2 *	15/3 *	28/10 *	-	-	-	-	-	-	-
S.B.2, S.B.2/S5, S.BS.2	8 **	15 **	30 **	15 ***	30 ***	14 ***	30 ***	29 ***	18 ***	28 ***

* Left: operating distance; right: closing contact distance.

** The magnetic unit must be installed perpendicular to the switch longitudinal axis.

*** The magnetic unit must be installed perpendicular to the switch upper surface.

Dimensions



Wiring Diagrams

