

Proximity Magnetic Sensors Cylindrical Body, FMM Series



- Cylindrical case
- Stainless steel body
- M8 diameter
- NO or CO output functions
- Front side switching

Product Description

The cylindrical proximity magnetic sensors of the FMM series are characterized by stainless steel body and small dimensions . They also can be mounted directly on ferromagnetic supports.

Ordering Key

FMM.A.3

Type _____
 Output Function _____
 Reed Contact Type _____

Type Selection

Output function	References
NO	FMM.A.3
Change-over	FMM.S.1

General specification

Case	Stainless steel
Protection degree	IP67
Operating temperature	-25 to +70°C
Output connection	PVC Cable

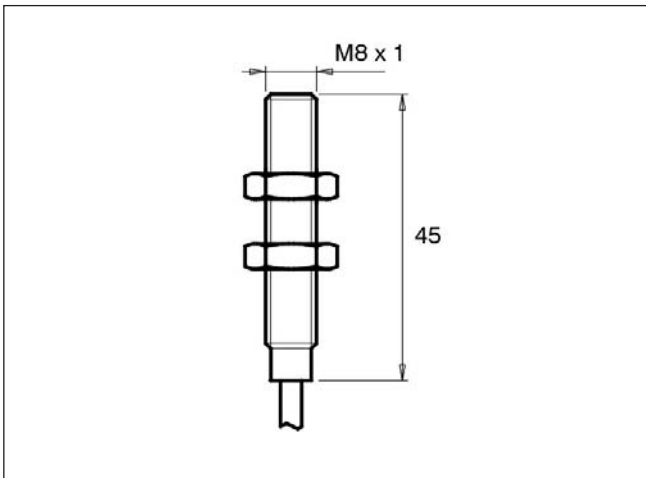
Electrical specifications

Contacts	3	S.1
Max switching voltage	500 Vac	100 Vac
Max switching current	0,5 A	0,25 A
Max switching power	10 VA	5 VA

Operating distance

Operating distances	CL.10	CL.11	CL.18	CL.20/S1	CL.20/S3	CL.23	CL.31
FMM.S.1	8	-	8	17	16	16	23
FMM.A.3	10	-	10	20	19	18	27

Dimensions



Wiring Diagrams

