

Energy Management Smart Modular Power Analyzer Type WM40 96

CARLO GAVAZZI



- Class 0.5 (kWh) according to EN62053-22
 - Class C (kWh) according to EN50470-3
 - Class 2 (kvarh) according to EN62053-23
 - Accuracy $\pm 0.2\%$ RDG (current/voltage)
 - Instantaneous variables readout: 4x4 DGT
 - Energies readout: 9+1 DGT
 - System variables: VLL, VLN, A, VA, W, var, PF, Hz, phase-sequence, phase-asymmetry and phaseloss.
 - Single phase variables: VLL, VLN, AL, An (calculated or real depending on the option), VA, W, var, PF
 - Both system and singles phase variables with average, max and min calculation
 - Direct neutral current measurement (on request)
 - Harmonic analysis (FFT) up to the 32nd harmonic (current and voltage) with harmonics source detection
 - Four quadrant energy measurements (imported/exported): total and partial kWh and kvarh (inductive and capacitive) or based on 4 different tariffs (on request)
 - Energy measurements according to ANSI C12.20, CA 0.5, ANSI C12.1 (revenue grade)
 - Gas, cold water, hot water, remote heating measurements (on request)
 - Run hours counter (8+2 DGT)
 - Real time clock function
 - Data stamping of up to 10,000 events: alarm, min, max, digital input status, digital output status, resets, programming changing (on request)
 - Application adaptable display and programming procedure (Easyprog function)
 - Universal power supply:
19 to 60VAC (48 to 62Hz) and 21.6 to 60VDC
90 to 265VAC/VDC
- Front dimensions: 96x96 mm
 - Front protection degree: IP65, NEMA4x, NEMA12
 - Optical front communication port (ANSI type 2)
 - Up to one RS232 or RS485 port (on request)
 - Communication protocol: MODBUS-RTU, iFIX SCADA compatibility
 - MODBUS TCP/IP Ethernet port (on request)
 - BACnet-IP over Ethernet port (on request)
 - Up to 6 digital inputs for tariff selection, "dmd" synch, gas/water (hot-cold) and remote heating metering (on request)
 - Up to 8 static outputs (pulse, alarm, remote control) (on request)
 - Up to 6 relay outputs (pulse, alarm, remote control) (on request)
 - Up to 16 freely configurable alarms with OR/AND logic linkable with up to either 4 relay outputs or up to 6 static outputs (on request)
 - Up to 4 analogue outputs (+20mA, +10VDC) (on request)

Product Description

Three-phase smart power analyzer with built-in application configuration system and LCD data displaying.

Particularly recommended for the measurement of the main electrical variables.

WM40 is based on a modular housing for panel mounting with IP65 (front) protection degree. Moreover the analyzer can be provided with digital outputs that can be either for pulse proportional to the active and reactive total, partial and tariff energy being measured or/and for alarm outputs. The

instrument is equipped with optical communication port, further I/O's such as: RS485/RS232, Ethernet, BACNet-IP communication ports, pulse and alarm outputs and 6 digital inputs are available on request. Parameters programming and data reading can be easily performed by means of Wm40Soft.



How to order

WM40-96 AV5 3 H R4 CT S1 XX


Type Selection

Range codes	System	Power supply	A Inputs/Outputs		
AV4: 400/690V _{LL} AC 1(2)A (**) V _{LN} : 160V to 480V _{LN} V _{LL} : 277V to 830V _{LL}	3: balanced and unbalanced load: 3-phase, 4-wire; 3-phase, 3-wire; 2-phase, 3-wire; 1-phase, 2-wire (*)	H: 90 to 260V AC/DC (48 to 62Hz) (*) L: 19 to 60VAC (48 to 62Hz) 21.6 to 60VDC(**)	XX: none (*) R2: Dual channel relay output (*) O2: Dual channel static output (*) A2: Dual channel 20mADC output (*) V2: Dual channel 10VDC output (*) R4: Advanced six channel digital inputs + four channel relay outputs + OR/AND alarm logic management (**) O6: Advanced six channel digital inputs + four channel static outputs + OR/AND alarm logic management (**) 		
AV5: 400/690V _{LL} AC 5(6)A (*) V _{LN} : 160V to 480V _{LN} V _{LL} : 277V to 830V _{LL}					
AV6: 100/208V _{LL} AC 5(6)A (**) V _{LN} : 40V to 144V _{LN} V _{LL} : 70V to 250V _{LL}					
AV7: 100/208V _{LL} AC 1(2)A (**) V _{LN} : 40V to 144V _{LN} V _{LL} : 70V to 250V _{LL}					
B Inputs/Outputs				Communication and data S.	Options
XX: none (*) A2: Dual channel 20mADC output (*) V2: Dual channel 10VDC output (*) TP: One temperature and one process signal input (**) CT: Direct neutral current measurement + One temperature and one process signal input (**) 				XX: none (*) S1: RS485/RS232 port (*) S3: RS485/RS232 port with data stamping (*) E2: Ethernet / Internet port (**) E3: Ethernet / Internet port with data stamping (**) BI: BACNet (IP) over Ethernet (**) B2: BACNet (IP) over Ethernet with data stamping (**) 	XX: none

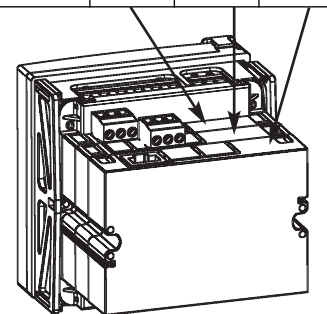
(*) as standard.
(**) on request.

Position of modules and combination

Ref	Description	Main features	Part number	Pos. A	Pos. B	Pos. C
1	WM40 base provided with display, power supply, measuring inputs, optical front communication port.	<ul style="list-style-type: none"> Inputs/system: AV5.3 Power supply: H 	WM40 AV5 3 H			
2		<ul style="list-style-type: none"> Inputs/system: AV6.3 Power supply: H 	WM40 AV6 3 H			
3		<ul style="list-style-type: none"> Inputs/system: AV4.3 Power supply: H 	WM40 AV4 3 H			
4		<ul style="list-style-type: none"> Inputs/system: AV7.3 Power supply: H 	WM40 AV7 3 H			
5		<ul style="list-style-type: none"> Inputs/system: AV5.3 Power supply: L 	WM40 AV5 3 L			
6		<ul style="list-style-type: none"> Inputs/system: AV6.3 Power supply: L 	WM40 AV6 3 L			
7		<ul style="list-style-type: none"> Inputs/system: AV4.3 Power supply: L 	WM40 AV4 3 L			
8		<ul style="list-style-type: none"> Inputs/system: AV7.3 Power supply: L 	WM40 AV7 3 L			
9	Dual relay output (SPDT)	<ul style="list-style-type: none"> 2-channel Alarm or/and pulse output 	M O R2 (1)	X		
10	Dual static output (AC/DC Opto-Mos)	<ul style="list-style-type: none"> 2-channel Alarm or/and pulse output 	M O O2 (1)	X		
11	Dual analogue output (+20mADC)	<ul style="list-style-type: none"> 2-channel 	M O A2 (2)	X	X	
12	Dual analogue output (+10VDC)	<ul style="list-style-type: none"> 2-channel 	M O V2 (2)	X	X	
13	RS485 / RS232 port module	<ul style="list-style-type: none"> Max. 115.2 Kbps 	M C 485 232 (3)			X
14	Ethernet/TCP IP port module	<ul style="list-style-type: none"> RJ45 10/100 BaseT 	M C ETH (3)			X
15	BACNet-IP port module	<ul style="list-style-type: none"> Based on Ethernet bus 	M C BAC IP (3)			X
16	Combined digital inputs and Relay outputs (SPDT)	<ul style="list-style-type: none"> 6-input channels 4-output channels Complex tariff management OR/AND logic management 	M F I6 R4 (4)		X	
17	Combined digital inputs and Static outputs (AC/DC Opto-Mos)	<ul style="list-style-type: none"> 6-input channels 6-output channels Complex tariff management. OR/AND logic management 	M F I6 O6 (4)		X	
18	RS485 / RS232 port module with integrated Memory	<ul style="list-style-type: none"> Max. 115.2 Kbps Data stamping 	M C 485 232 M (3)			X
19	Ethernet port module with integrated Memory	<ul style="list-style-type: none"> RJ45 10/100 BaseT Data Stamping 	M C ETH M (3)			X
20	BACnet over IP port module with integrated Memory	<ul style="list-style-type: none"> Based on Ethernet bus Data Stamping 	M C BAC IP M (3)			X
21	Temperature + Process signal measurements (°C/°F)	<ul style="list-style-type: none"> "Pt" type input 20mA input 	M A T P (4)		X	
22	Direct neutral current measurement + Temperature + Process signal measurements (°C/°F)	<ul style="list-style-type: none"> As above + signal input like a common current input (CT ratio etc.) 	M A T P N (4)		X	

NOTE: (1) Only one A type module per meter in a maximum combination of 3 total mixed modules on the same meter. (2) Only one A + B type module per meter in a maximum combination of 3 total mixed modules on the same meter. (3) Only one C type module per meter in a maximum combination of 3 total mixed modules on the same meter. (4) Only one "B" type module per meter in a maximum combination of 3 total mixed modules on the same meter.

The B-C position is not mandatory, if to fulfil the application, module "A" is not necessary, then maybe just "B" can be mounted. Another example: if modules "A" and "B" (anyone) are not needed, then just module "C" maybe be mounted. If "A" module is needed, it is mandatory to put it in "A" position. **When no modules are mounted, then WM40-96 becomes a simple indicator.**



Input specifications

Rated inputs	System type: 1, 2 or 3-phase	Energy additional errors	According to EN62053-22, ANSI C12.20,
Current type	Galvanic insulation by means of built-in CT's	Influence quantities	Class B or C according to EN50470-3, EN62053-23, ANSI C12.1
Current range (by CT)	AV5 and AV6: 5(6)A AV4 and AV7: 1(2)A	Total Harmonic Distortion (THD)	±1% FS (FS: 100%) Phase: ±2°; I _{min} : 5mA RMS; I _{max} : 15Ap; U _{min} : 30VRMS; U _{max} : 585Vp Detection of imported and exported harmonics.
Voltage (by direct connection or VT/PT)	AV4, AV5: 400/690VLL; AV6, AV7: 100/208VLL	Total Demand Distortion (TDD)	±1% FS (FS: 100%) I _{min} : 5mA RMS; I _{max} : 15Ap; U _{min} : 30VRMS; U _{max} : 585Vp
Accuracy (Display + RS485) (@25°C ±5°C, R.H. ≤60%, 48 to 62 Hz)	In: see below, Un: see below	K-Factor and factor K	±(0.5%RDG+1DGT)
AV4 model	In: 1A, I _{max} : 2A; Un: 160 to 480VLN (277 to 830VLL)	Temperature drift	≤200ppm/°C
AV5 model	In: 5A, I _{max} : 6A; Un: 160 to 480VLN (277 to 830VLL)	Sampling rate	3200 samples/s @ 50Hz, 3840 samples/s @ 60Hz
AV6 model	In: 5A, I _{max} : 6A; Un: 40 to 144VLN (70 to 250VLL)	Measurements	See "List of the variables that can be connected to:"
AV7 model	In: 1A, I _{max} : 2A; Un: 40 to 144VLN (70 to 250VLL)	Method	TRMS measurements of distorted wave forms.
Current AV4, AV5, AV6, AV7 models	From 0.01In to 0.05In: ±(0.5% RDG +2DGT) From 0.05In to I _{max} : ±(0.2% RDG +2DGT)	Coupling type	By means of CT's
Phase-neutral voltage	In the range Un: ±(0.2% RDG +1DGT)	Crest factor	AV5, AV6: ≤3 (15A max. peak) AV4, AV7: ≤3 (3A max. peak)
Phase-phase voltage	In the range Un: ±(0.5% RDG +1DGT)	Current Overloads	
Frequency	±0.1Hz (45 to 65Hz)	Continuous (AV5 and AV6)	6A, @ 50Hz/60Hz
Active and Apparent power	0.01In to 0.05In, PF 1: ±(1%RDG+1DGT) From 0.05In to I _{max} PF 0.5L, PF1, PF0.8C: ±(0.5%RDG+1DGT)	Continuous (AV4 and AV7)	2A, @ 50Hz/60Hz
Power Factor	±[0.001+0.5% (1.000 - "PF RDG")]	For 500ms (AV5 and AV6)	120A, @ 50Hz/60Hz
Reactive power	0.1In to I _{max} , senφ 0.5L/C: ±(1%RDG+1DGT) 0.05In to 0.1In, senφ 0.5L/C: ±(1.5%RDG+1DGT)	For 500ms (AV4 and AV7)	40A, @ 50Hz/60Hz
Active energy	0.05In to I _{max} , senφ 1: ±(1%RDG+1DGT) 0.02In to 0.05In, senφ 1: ±(1.5%RDG+1DGT)	Voltage Overloads	
Reactive energy	Class 0.5 according to EN62053-22, ANSI C12.20 Class C according to EN50470-3.	Continuous	1.2 Un
Start up current AV5, AV6	Class 1 according to EN62053-23, ANSI C12.1.	For 500ms	2 Un
Start up current AV4, AV7	5mA 1mA	Input impedance	
		400VL-L (AV4 and AV5)	> 1.6MΩ
		208VL-L (AV6 and AV7)	> 1.6MΩ
		5(10)A (AV5 and AV6)	< 0.2VA
		1(2)A (AV4 and AV7)	< 0.2VA
		Frequency	40 to 440 Hz

Output specifications

Relay outputs (M O R2)			
Physical outputs	2 (max. one module per instrument)	Min. response time	other details see Virtual alarms ≤200ms, filters excluded. Set-point on-time delay: "0 s".
Purpose	For either alarm output or pulse output	Pulse	Signal retransmission
Type	Relay, SPDT type AC 1-5A @ 250VAC; AC 15-1A @ 250VAC DC 12-5A @ 24VDC; DC 13-1.5A @ 24VDC	Pulse type	Total: +kWh, -kWh, +kvarh, -kvarh. Partial: +kWh, -kWh, +kvarh, -kvarh.
Configuration	By means of the front keypad	Pulse duration	The above listed variables can be connected to any output. Programmable from 0.001 to 10.00 kWh/kvarh per pulse. ≥100ms < 120msec (ON), ≥120ms (OFF), according to EN62052-31
Function	The outputs can work as alarm outputs but also as pulse outputs, remote controlled outputs, or in any other combination.	Remote controlled outputs	The activation of the outputs is managed through the serial communication port See "Insulation between inputs and outputs" table
Alarms	Up alarm and down alarm linked to the virtual alarms, other details see Virtual alarms	Insulation	
Min. response time	≤200ms, filters excluded. Set-point on-time delay: "0 s".	20mA analogue outputs (M O A2)	
Pulse		Number of outputs	2 (max. one module per instrument)
Signal retransmission	Total: +kWh, -kWh, +kvarh, -kvarh. Partial: +kWh, -kWh, +kvarh, -kvarh.	Accuracy (@ 25°C ±5°C, R.H. ≤60%)	±0.2%FS
Pulse type	The above listed variables can be connected to any output.	Range	0 to 20mA
Pulse duration	Programmable from 0.001 to 10.00 kWh/kvarh per pulse. ≥100ms <120msec (ON), ≥120ms (OFF), according to EN62052-31	Configuration	By means of the front keypad
Remote controlled outputs	The activation of the outputs is managed through the serial communication port See "Insulation between inputs and outputs" table	Signal retransmission	The signal output can be connected to any instantaneous variable available in the table "List of the variables that can be connected to". Programmable within the whole range of retransmission; it allows the retransmission management of all values from 0 to 20 mADC.
Insulation	See "Insulation between inputs and outputs" table	Scaling factor	≤400 ms typical (filter excluded)
Static outputs (M O O2)		Response time	≤1% (according to IEC 60688-1, EN 60688-1)
Physical outputs	Opto-Mos type 2 (max. one module per instrument)	Ripple	≤500 ppm/°C
Purpose	For either pulse output or alarm output	Total temperature drift	≤600Ω
Signal	V _{ON} : 2.5VAC/DC/max.100mA V _{OFF} : 260VAC/DC max.	Load	See "Insulation between inputs and outputs" table
Configuration	By means of the front keypad	Insulation	
Function	The outputs can work as alarm outputs but also as pulse outputs, remote controlled outputs, or in any other combination.	10VDC analogue outputs (M O V2)	
Alarms	Up alarm and down alarm linked to the virtual alarms,	Number of outputs	2 (max. one module per instrument)
		Accuracy (@ 25°C ±5°C, R.H. ≤60%)	±0.2%FS
		Range	0 to 10 VDC



Output specifications (cont.)

Configuration	By means of the front key-pad	Insulation	See "Insulation between inputs and outputs" table
Signal retransmission	The signal output can be connected to any instantaneous variable available in the table "List of the variables that can be connected to".	RS232 port (on request)	
Scaling factor	Programmable within the whole range of retransmission; it allows the retransmission management of all values from 0 to 10VDC.	Type	Bidirectional (static and dynamic variables)
Response time	≤400 ms typical (filter excluded)	Connections	3 wires. Max. distance 15m
Ripple	≤1% (according to IEC 60688-1, EN 60688-1)	Protocol	MODBUS RTU /JBUS
Total temperature drift	≤350 ppm/°C	Data (bidirectional)	
Load	≥10kΩ	Dynamic (reading only)	System and phase variables: see table "List of variables..."
Insulation	See "Insulation between inputs and outputs" table	Static (reading and writing only)	All the configuration parameters
RS485/232 serial port (M C 485 232 on request)		Data format	1 start bit, 8 data bit, no/even/odd parity, 1 stop bit
RS485		Baud-rate	Selectable: 9.6k, 19.2k, 38.4k, 115.2k bit/s
Type	Multidrop, bidirectional (static and dynamic variables)	Note	With the rotary switch (on the back of the basic unit) in lock position the modification of the programming parameters and the reset command by means of the serial communication is not allowed anymore. In this case just the data reading is allowed.
Connections	2-wire Max. distance 1000m, termination directly on the module	Insulation	See "Insulation between inputs and outputs" table
Addresses	247, selectable by means of the front key-pad	Module with data stamping and event recording memory (M C 485 232 M)	
Protocol	MODBUS/JBUS (RTU)	Event stamping	
Data (bidirectional)		Type of data	Alarm, min, max, digital input status, digital output status as remote control, resets.
Dynamic (reading only)	System and phase variables: see table "List of variables..."	Stamping format	Date (dd:MM:yy) and hour (hh:mm:ss) reference.
Static (reading and writing only)	All the configuration parameters.	Number of events	Up to 10,000
Data format	1 start bit, 8 data bit, no/even/odd parity, 1 stop bit	Data management type	FIFO
Baud-rate	Selectable: 9.6k, 19.2k, 38.4k, 115.2k bit/s	Data stamping	
Driver input capability	1/5 unit load. Maximum 160 transceivers on the same bus.	Type of data	Any measured variable can be stored in the memory.
Note	With the rotary switch (on the back of the basic unit) in lock position the modification of the programming parameters and the reset command by means of the serial communication is not allowed anymore. In this case just the data reading is allowed.	Stamping format	Date (dd:MM:yy) and hour (hh:mm:ss) reference.
		Number of variables	Up to 20 different type of variables can be stored.
		Time interval	From 1 minute up to 60 minutes.
		Data management type	FIFO
		Memory type	Data flash
		Ethernet/Internet port (M C ETH on request)	
		Protocols	Modbus TCP/IP
		IP configuration	Static IP / Netmask / Default gateway

Output specifications (cont.)

Port	Selectable (default 502)	Client connections	Modbus only: max 5
Client connections	Max 5 simultaneously	Connections	simultaneously
Connections	RJ45 10/100 BaseTX		RJ45 10/100 BaseTX
	Max. distance 100m		Max. distance 100m
Data (bidirectional)		Data	
Dynamic (reading only)	System and phase variables: see table "List of variables..."	Dynamic (reading only)	System and phase variables (BACnet-IP and Modbus): see table "List of variables..."
Static (reading and writing only)	All the configuration parameters.	Static (reading and writing only)	All the configuration parameters (Modbus only).
Note	With the rotary switch (on the back of the basic unit) in lock position the modification of the programming parameters and the reset command by means of the serial communication is not allowed anymore. In this case just the data reading is allowed.	Note	With the rotary switch (on the back of the basic unit) in lock position the modification of the programming parameters and the reset command by means of the serial communication is not allowed anymore. In this case just the data reading is allowed.
Insulation	See "Insulation between inputs and outputs" table	Insulation	See "Insulation between inputs and outputs" table
Module with data stamping and event recording memory (M C ETH M)		Module with data stamping and event recording memory (M C BAC IP M)	
Event stamping		Event stamping	
Type of data	Alarm, min, max, digital input status, digital output status as remote control, resets.	Type of data	Alarm, min, max, digital input status, digital output status as remote control, resets.
Stamping format	Date (dd:MM:yy) and hour (hh:mm:ss) reference.	Stamping format	Date (dd:MM:yy) and hour (hh:mm:ss) reference.
Number of events	Up to 10,000	Number of events	Up to 10,000
Data management type	FIFO	Data management type	FIFO
Data stamping		Data stamping	
Type of data	Any measured variable can be stored in the memory.	Type of data	Any measured variable can be stored in the memory.
Stamping format	Date (dd:MM:yy) and hour (hh:mm:ss) reference.	Stamping format	Date (dd:MM:yy) and hour (hh:mm:ss) reference.
Number of variables	Up to 20 different type of variables can be stored.	Number of variables	Up to 20 different type of variables can be stored.
Time interval	From 1 minute up to 60 minutes.	Time interval	From 1 minute up to 60 minutes.
Data management type	FIFO	Data management type	FIFO
Memory type	Data flash	Memory type	Data flash
BACnet-IP (M C BAC IP on request)		Relay Output and Digital Input (M F I6 R4 on request)	
Protocols	BACnet-IP (for measurement reading purpose) and Modbus TCP/IP (for measurement reading purpose and for programming parameter purpose)	Relay Outputs	4 (max. one module per instrument)
IP configuration	Static IP / Netmask / Default gateway	Physical outputs	For either pulse output or alarm output
BACnet-IP Port	Fixed: BAC0h	Purpose	Relay, SPST type
Modbus Port	Selectable (default 502)	Type	AC 1-5A @ 250VAC; AC 15-1A @ 250VAC
		Configuration	Only by means of the programming software



Output specifications (cont.)

Function	<p>WM40Soft. In this latter case using either the serial communication port or the front optical port.</p> <p>The outputs can work as advanced alarm outputs and as remote controlled outputs, or in any other combination.</p>	<p>Working mode</p> <ul style="list-style-type: none"> • Total and partial energy meters (kWh and kvarh) without digital inputs; • Total and partial energy meters (kWh and kvarh) managed by time periods (t1-t2-t3-t4-t5-t6), W dmd synchronisation (the synchronisation is made every time the tariff changes) and GAS (m³) or WATER (hot/cold/m³) or remote heating (kWh) meters; • Total and partial energy meters (kWh and kvarh) managed by time periods (t1-t2), W dmd synchronisation (the synchronisation is made independently of the tariff selection) and GAS (m³) or WATER (hot/cold/m³) or remote heating (kWh) meters; • Total energy (kWh, kvarh) and GAS, WATER (hot-cold m³) and remote heating meters (3 choices only). • Remote alarm reset. • Remote input channel disable. • Trip counter of installation protection. • Direct measurements for the power quality analysis (LV or MV/HV connection); • Indirect energy and power measurements by means of watt-hour meters (LV or MV/HV connection); • Direct measurements for the instantaneous variables (LV connection) and indirect measurements for the energy variables (LV or MV/HV). <p>By means of opto-mos</p> <p>See "Insulation between inputs and outputs" table.</p>	
Standard alarm modes	<p>Up alarm, down and window alarm. There is also the possibility to remote the control of the outputs: the activation of the outputs is managed through the serial communication port (in this case the local alarms are disabled).</p>		
Advanced alarm modes	<p>"OR" or "AND" or "OR+AND" functions (see "Alarm parameter and logic" page). Freely programmable on up to 16 alarms.</p>		
Controlled variables	<p>The alarms can be connected to any variable available in the table "List of the variables that can be connected to"</p>		
Set-point adjustment	<p>From 0 to 100% of the display scale</p>		
Hysteresis	<p>From 0 to full scale</p>		
On-time delay	<p>0 to 9999s</p>		
Output status	<p>Selectable: normally de-energized or normally energized</p>		
Min. response time	<p>≤200ms, filters excluded. Set-point on-time delay: "0 s".</p>		
Digital inputs			
Number of inputs	<p>6 (voltage-free contacts)</p>	<p>Static Output and Digital Input (M F I6 O6 on request)</p> <p>Static Outputs</p> <p>Physical outputs</p> <p>Purpose</p> <p>Type of outputs</p> <p>Signal</p>	
Purpose	<p>Contact status reading. "dmd" measurements synchronisation and clock synchronisation. Energy tariff selection. Utility meter counters. Trip counter. Remote input disable. Interfacing with watt-hour meters (+kWh, +kvarh, -kWh, -kvarh).</p>		
Input frequency	<p>20Hz max, duty cycle 50%</p>		
Prescaler adjustment	<p>From 0.1 to 999.9 m³ or kWh/pulse</p>		
Open Contact voltage	<p>≤3.3VDC</p>		
Closed Contact current	<p><1mA DC</p>		
Contact resistance	<p>≤300Ω closed contact ≥50kΩ open contact</p>		
Input voltage	<p>0 to 0.5VDC LO 2.4 to 25VDC HI</p>		
Insulation			
			<p>6 (max. one module per instrument)</p> <p>For either pulse output or alarm output</p> <p>Opto-Mos</p> <p>VON: 2.5VDC/max.100mA</p> <p>VOFF: 42VDC</p>

Output specifications (cont.)

Function	The outputs can work as pulse outputs, but also as alarm outputs, remote controlled outputs, or in any other combination.	<p>synchronisation is made every time the tariff changes) and GAS (m³) or WATER (hot/cold/m³) or remote heating (kWh) meters;</p> <ul style="list-style-type: none"> • Total and partial energy meters (kWh and kvarh) managed by time periods (t1-t2), W dmd synchronisation (the synchronisation is made independently of the tariff selection) and GAS (m³) or WATER (hot/cold/m³) or remote heating (kWh) meters; • Total energy (kWh, kvarh) and GAS, WATER (hot-cold m³) and remote heating meters (3 choices only). • Remote alarm reset. • Remote input channel status. • Trip counter of installation protection. • Direct measurements for the power quality analysis (LV or MV/HV connection); • Indirect energy and power measurements by means of watt-hour meters (LV or MV/HV connection); • Direct measurements for the instantaneous variables (LV connection) and indirect measurements for the energy variables (LV or MV/HV). <p>By means of opto-mos See "Insulation between inputs and outputs" table.</p>
Signal retransmission	Total: +kWh, -kWh, +kvarh, -kvarh. Partial: +kWh, -kWh, +kvarh, -kvarh Tariff: +kWh, -kWh, +kvarh, -kvarh.	
Pulse type	The available variables can be linked to any output. Programmable from 0.001 to 10.00 kWh/kvarh per pulse. Outputs connectable to the energy meters (kWh/kvarh)	
Pulse duration	≥100ms <120ms (ON), ≥120ms (OFF), according to EN62052-31	
Advanced tariff management		<p>Insulation</p> <hr/> <p>Temperature and Process signal inputs (M A T P on request)</p> <p>Number of inputs 1 Accuracy (Display + RS485) See table "Temperature input characteristics" ≤150ppm/°C</p> <p>Temperature drift Temperature probe Pt100, Pt1000 Number of wires 2 or 3-wire connection Wire compensation Up to 10Ω Engineering unit Selectable °C o °F</p> <p>Process signal Number of inputs 1 Accuracy (Display + RS485) ±(0,1%RDG+1DGT) da 0% a 25% FS; ±(0,1%RDG+2DGT) da 25% a 110% FS.</p>
No. of tariffs	Up to 6	
No. of total energies	Up to 4 (+kWh, -kWh, +kvarh, -kvarh)	
Data format	9-DGT for Total and partial/tariff, gas and water metering.	
Digital inputs		
Number of inputs	6 (voltage-free contacts)	
Purpose	Contact status reading. "dmd" measurements synchronisation and clock synchronisation. Energy tariff selection. Utility meter counters. Trip counter. Remote input disable. Interfacing with watt-hour meters (+kWh, +kvarh, -kWh, -kvarh).	
Input frequency	20Hz max, duty cycle 50%	
Prescaler adjustment	From 0.1 to 999.9 m ³ or kWh/pulse	
Open Contact voltage	≤3.3VDC	
Closed Contact current	<1mADC	
Contact resistance	≤300Ω closed contact ≥50kΩ open contact	
Input voltage	0 to 0.5VDC LO 2.4 to 25VDC HI	
Working mode	<ul style="list-style-type: none"> • Total and partial energy meters (kWh and kvarh) without digital inputs; • Total and partial energy meters (kWh and kvarh) managed by time periods (t1-t2-t3-t4-t5-t6), W dmd synchronisation (the 	



Output specifications (cont.)

Temperature drift	≤150ppm/°C	Temperature drift	≤150ppm/°C
Process signal input	-20mA to +20mADC	Measuring input type	To be connected to external current transformer
Signal overload	Continuous: 50mADC For 1 s.: 150mADC	Transformer ratio	Up to 10kA (10,000 max)
Input impedance	≤22Ω (<12Ω)	Crest factor	≤3 (3A max. peak)
Min. and Max. indication	-9999 to +9999 fully programmable scaling with decimal point positioning.	Current Overloads	1.2A, @ 50Hz
Module with true neural current input (M A T P N)	In: 1A	For 500ms	10A, @ 50Hz
Accuracy (Display + RS485)	From 0.002In to 0.2In: ±(0.2% RDG +1DGT) From 0.2In to 1.2In: ±(0.2% RDG +1DGT)	Input impedance	0.5Ω
		Frequency	45 to 65 Hz

Temperature input characteristics

Probe	Range	Accuracy	Min Indication	Max Indication
Pt100	-60.0°C to +300.0°C	±(0.5%RDG +5DGT)	- 60.0	+ 300.0
Pt100	-76°F to+572°F	±(0.5%RDG +5DGT)	- 76.0	+ 572.0
Pt1000	-60.0°C to +300.0°C	±(0.5%RDG +5DGT)	- 60.0	+ 300.0
Pt1000	-76°F to+572°F	±(0.5%RDG +5DGT)	- 76.0	+ 572.0

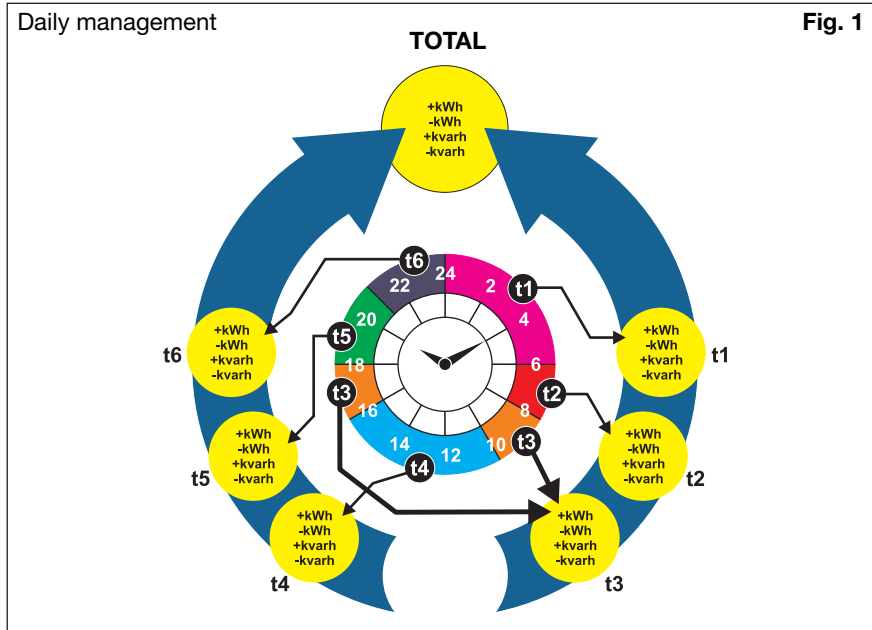
Tariff energy meters and time period management

NOTE: only in case of M F I6 R4 and M F I6 O6 modules.

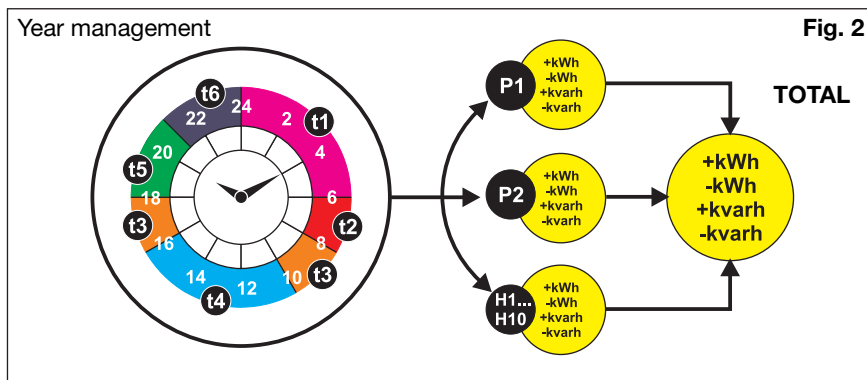
Meters		"Holiday Period" energy meters	Up to 10 for this specific function s may split into "H1 ... H10". As per standard period management every single one can be set by month and year.
Total	4 (up to 10 digit)		
Partial	72 (up to 10 digit)		
Tariffs	Up to 6	"Tariff" energy meters	Up to 6 per period (P1/P2 and H1 ... H10). Every tariff is daily based and is called "t1" ... "t6". The single tariff can be set as "Hours and minutes". Every single tariff "t" may has an independent start and stop which may be different also from period to period "P1 and P2". Every single tariff manages an independent energy meter which is split according the measured energy in: +Wh, -Wh, +varh, -varh.
Time periods	Up to 3 year		
Pulse output	Connectable to total and/or partial meters		
Storage	Consumption history by storing the monthly energy meters (12 previous months) into the EEPROM. Storage of total and partial energy meters. Energy meter storage format (EEPROM) Min. - 9,999,999,999.9 kWh/kvarh Max. 9,999,999,999.9 kWh/kvarh		
Energy Meters	Base on digital inputs and clock management	Partial energy meters	+kWh, +kvarh, -kWh, -kvarh.
"Total" energy meters	+kWh, +kvarh, -kWh, -kvarh.		
"Standard Period" energy meters	Up to 2 may split into "P1" and "P2" which can be set by month and year each.		+kWh, +kvarh, -kWh, -kvarh (basic unit without any module)

Tariff energy meters overall working scheme

NOTE: only in case of M F I6 R4 and M F I6 O6 modules.



Where t1 to t6 are the “Tariffs”.



Where P1 and P2 are the “Standard Periods” and H1 ... H10 Holiday periods which are identified by a defined day (non working day), by a vacation period or by a season period.

Note: the displaying of every single energy tariff is relevant only to the period being used. Other periods are available through the communication port.

Energy meters

Meters	
Total	4 (10 digit)
Partial	4 (10 digit)
Pulse output	Connectable to total and/or partial meters
Energy meter recording	Storage of total and partial energy meters. Energy meter storage format (EEPROM) Min. -9,999,999,999.9 kWh/kvarh Max. 9,999,999,999.9 kWh/kvarh.

Energy Meters

Total energy meters
Partial energy meters

+kWh, +kvarh, -kWh, -kvarh
+kWh, +kvarh, -kWh, -kvarh

Management of the digital inputs

NOTE: only in case of M F I6 R4 and M F I6 O6 modules.

Function	Note	Digital inputs					
		1	2	3	4	5	6
Synch (dmd)	(1)	YES					
Tariff change	(2)	YES	YES	YES			
Hot Water	(3)				YES	YES	YES
Cold Water	(3)				YES	YES	YES
Gas	(3)				YES	YES	YES
Remote heating	(3)				YES	YES	YES
Remote alarm reset	(4)				YES		
Trip counter of protection	(5)				YES		
Remote input channel status	(6)	YES	YES	YES	YES	YES	YES
kWh counting (-)	(7)			YES			
kWh counting (+)	(7)				YES		
kvarh counting (+)	(7)					YES	

Note: every single digital input can be configured according to the table above.

(1) At each status change (from OFF to ON) it synchronises the DMD calculation made by the meter with a digital signal coming from the Utility or other source. It also synchronises the clock to the multiple of the integration time (which is selectable as either database of data-logging function or Load profile) nearer to the current time.

(2) It is used to select by means of the logic of three inputs up to 6 different tariffs: t1-t2-t3-t4-t5-t6. Every time the tariff changes, it starts also the synchronisation of the “dmd” calculation.

(3) It is used to count the pulses coming from different Utility meters like: cold water, hot water, gas and remote heating.

(4) It is used to remotely reset the alarms.

(5) It is used to count how many times an external protection device trips.

(6) This function is available only in case of serial communication. It allows to detect the status of the digital input. The status is displayed on the display as well.

(7) The energy is metered by means of pulses coming from a watt-hour meter. This meter can be provided with up to 3 outputs (for imported active and reactive energy and for exported active energy). Note: the pulses counted from the watt-hour meter replaces the standard measurement of energy and the relevant displaying (total, partial and tariff), all other measurements (eg: V-A-W-VA-var, THD and so on) are still performed and displayed.

Harmonic distortion analysis

Analysis principle	FFT	Harmonic phase angle	The instrument measures the angle between the single harmonic of “V” and the single harmonic of “I” of the same order.
Harmonic measurement			According to the value of the electrical angle, it is possible to know if the distortion is absorbed or generated. Note: if the system has 3 wires the angle cannot be measured.
Current	Up to the 32nd harmonic		
Voltage	Up to the 32nd harmonic		
Type of harmonics	THD (VL1 and VL1-N) THD odd (VL1 and VL1-N) THD even (VL1 and VL1-N) TDD The same for the other phases: L2, L3. THD (AL1) THD odd (AL1) THD even (AL1) The same for the other phases: L2, L3.	Harmonic details	The harmonic spectrum so to built-up a graph is available only by means of the serial communication.



Event logging, data logging and load profiling

NOTE: only in case of M C 485 232 M, M C ETH M and M C BAC IP M modules

<p>Event logging</p> <p>Data displaying</p> <p>Function enabling Stored data type Number of events Data reset</p> <p>Data format</p> <p>Storage method Memory type Memory retention time</p>	<p>Only with communication module provided with data memory.</p> <p>The data are available on the display limited to the last 99 events. All events can be both checked and downloaded using any available communication port in combination with WM40Soft software.</p> <p>Activation: NO/YES Alarms, max./min. Max. 10,000</p> <p>All events can be reset manually</p> <p>Event, date (dd:mm:yy) and time (hh:mm:ss)</p> <p>FIFO Flash 10 years</p>	<p>Storage duration</p> <p>Number of variables</p> <p>Data format</p> <p>Storage method Memory type Memory size Memory retention time</p>	<p>calculated (min. sample) with an interval within two following measurements of approx. 100 ms.</p> <p>Before overwriting, see “Historical data storing time table.”</p> <p>See “Historical data storing time table”.</p> <p>Variable, date (dd:mm:yy) and time (hh:mm:ss)</p> <p>FIFO Flash 4Mb 10 years</p>
<p>Data logging</p> <p>Data displaying</p> <p>Function enabling Stored data type Storage interval</p> <p>Sampling management</p>	<p>Only with communication module provided with data memory.</p> <p>The data are not available on the display but they can be both checked and downloaded using any available communication port in combination with WM40Soft software.</p> <p>Activation: NO/YES All variables. Programmable from 1 min. to 60 min.; all instantaneous variables can be selected</p> <p>The sample stored within the selected time interval results from the continuous average of the measured values. The average is</p>	<p>Load profiling</p> <p>Data displaying</p> <p>Function enabling Storage interval</p> <p>Storage duration</p> <p>Data format</p> <p>Data synchronisation Other characteristics</p>	<p>Only with communication module provided with data memory.</p> <p>The data are not available on the display but they can be both checked and downloaded using any available communication port in combination with WM40Soft software.</p> <p>Activation: NO/YES Selectable: 5-10-15-20-30-60 minutes of Wdmd and VAdmd.</p> <p>Before overwriting, 100 weeks: with recording interval of 5min; 300 weeks: with storing interval of 15min.</p> <p>Wdmd variable value, minutes, day, month.</p> <p>Based on internal clock As per Event and Data logging.</p>

Display, LED's and commands

Display refresh time	≤ 100 ms	Virtual alarms	4 red LED available in case of virtual alarm (ALG1-AL G2-AL G3-AL G4), every LED groups 4 alarms. Note: the real alarm is just the activation of the proper static or relay output if the proper module is available. Red LED (only kWh) 0.001 kWh/kvarh by pulse if the Ct ratio by VT ratio is ≤7 0.01 kWh/kvarh by pulse if the Ct ratio by VT ratio is ≥7.1 ≤70.0 0.1 kWh/kvarh by pulse if the Ct ratio by VT ratio is ≥70.1 ≤700.0 1 kWh/kvarh by pulse if the Ct ratio by VT ratio is ≥700.1 ≤7000 10 kWh/kvarh by pulse if the Ct ratio by VT ratio is ≥7001 ≤70.00k 100 kWh/kvarh by pulse if the Ct ratio by VT ratio is >70.01k Max frequency: 16Hz, according to EN50470-1
Display	4 lines, 4-DGT, 1 lines, 10-DGT	Energy consumption kWh pulsating	
Type	LCD, dual colour backlight (selectable)		
Digit dimensions	4-DGT: h 11 mm; 10-DGT: h 7 mm		
Instantaneous variables read-out	4-DGT		
Energies variables read-out	Imported Total/Partial/Tariff: 8+2DGT, 9+1DGT or 10DGT; Exported Total/Partial/Tariff: 8+2DGT, 9+1DGT or 10DGT (with “-“ sign).		
Gas-water-remote heating read-out	8+2DGT, 9+1DGT or 10DGT		
Run Hours counter	8+2 DGT (99.999.999 hours and 59 minutes max)		
Overload status	EEEE indication when the value being measured is exceeding the “Continuous inputs overload” (maximum measurement capacity)		
Max. and Min. indication	Max. instantaneous variables: 9999; energies: 9 999 999 99.9 or 9 999 999 999. Min. instantaneous variables: 0.000; energies 0.0		
Front position LEDs		Back position LEDs	
Bar-graph	Three groups of 3-LED (green-red) split by phase L1-L2-L3 and level of measurement. The full scale (100%) is referred to a programmable value which is corresponding to the variable being measured and displayed by the instrument at the time.	On the base On the communication modules	Green as power-on Two LEDs: one for TX (green) and one for RX (amber).
		Key-pad	For variable selection, programming of the instrument working parameters reset, “dmd”, “max”, total energy and partial energy and event.

Main functions

Password	Numeric code of max. 4 digits; 2 protection levels of the programming data: Password “0”, no protection; Password from 1 to 9999, all data are protected		
1st level		System 3-Ph.1 balanced load	and 3-phase to phase voltage measurements. 3-phase (3-wire), one current and 3-phase to phase voltage measurements
2nd level			3-phase (4-wire), one current and 3-phase to neutral voltage measurements.
System selection		System 3-Ph.2 balanced load	3-phase (2-wire), one current and 1-phase (L1) to neutral voltage measurement.
System 3-Ph.n unbalanced load	3-phase (4-wire)		2-phase (3-wire)
System 3-Ph. unbalanced load	3-phase (3-wire), three currents and 3-phase to phase voltage measurements, or in case of Aaron connection two currents (with special wiring on screw terminals)	System 2-Ph System 1-Ph	1-phase (2-wire)

Main functions (cont.)

Transformer ratio VT (PT) CT	1.0 to 999.9 / 1000 to 9999. 1.0 to 999.9 / 1000 to 9999 (up to 10kA in case of CT with 1A secondary current and up to 50kA in case of CT with 5A secondary current).	Reset of the display in a normal/abnormal condition") By means of the front keypad or the configuration software. It is possible to reset the following data: - all the min, max, dmd, and dmd-max values. - total energies: kWh, kvarh; - partial energies and tariffs: kWh, kvarh; - gas, water and remote heating; - latch alarms; - all the events; - all the load profiling; - all data logging
Filter Operating range Filtering coefficient Filter action	Selectable from 0 to 100% of the input display scale Selectable from 1 to 32 Measurements, analogue signal retransmission, serial communication (fundamental variables: V, A, W and their derived ones).	
Displaying Number of variables Backlight	Up to 5 variables per page. See "Front view". Many different set of variables available (see "Display pages") according to the application being selected. One page is freely programmable as combination of variables. The backlight time is programmable from 0 (always on) to 255 minutes	Harmonic analysis Up to the 32nd harmonics on current and voltage including also "odd" and "even" THD. In case of communication module availability (any type) every single harmonic is available in the communication protocol completed with all necessary information so to built-up the single current and voltage waveform using a proper software.
Virtual alarms Working condition No. of alarms Working mode Controlled variables Set-point adjustment Hysteresis On-time delay Min. response time	In case of basic unit or with the addition of M O R2 or M O O2 digital output modules. Up to 16 Up alarm and down alarm. The alarms can be connected to any instantaneous variable available in the table "List of the variables that can be connected to". From 0 to 100% of the display scale From 0 to full scale 0 to 9999s ≤ 200ms, filters excluded. Set-point on-time delay: "0 s".	Clock Functions Time format Date format Battery life
Alarm highlight	In case of alarm and if the relevant function is enabled, the display changes the colour from white backlight to blue backlight or to another available colour combination (fore more details see "Working mode	Easy connection function For all the display selections, both energy and power measurements are independent from the current direction. The displayed energy is always "imported" with the only exception of "C", "D", "E" and "G" types (see "display pages" table). For those latter selections the energies can be either "imported" or "exported" depending on the current direction.

General specifications

Operating temperature	-25°C to +55°C (-13°F to 131°F) (R.H. from 0 to 90% non-condensing @ 40°C) according to EN62053-21, EN50470-1 and EN62053-23	Standard compliance	
Storage temperature	-30°C to +70°C (-22°F to 158°F) (R.H. < 90% non-condensing @ 40°C) according to EN62053-21, EN50470-1 and EN62053-23	Safety	IEC60664, IEC61010-1 EN60664, EN61010-1 EN62052-11.
Installation category	Cat. III (IEC60664, EN60664)	Metrology	EN62053-21, EN62053-23, EN50470-3. MID "annex MI-003" DIN43864, IEC62053-31
Insulation (for 1 minute)	See "Insulation between inputs and outputs" table	Pulse output	
Dielectric strength	4kVAC RMS for 1 minute	Approvals	CE, cULus "Listed" (CuLus: max. 40°C, all modules in all combinations)
Noise rejection CMRR	100 dB, 48 to 62 Hz	Connections	Screw-type Cable cross-section area max. 2.5 mm ² . min./max. screws tightening torque: 0.4 Nm / 0.8 Nm. Suggested screws tightening torque: 0.5 Nm
EMC	According to EN62052-11	Housing DIN	Module holder: 96x96x50mm.
Electrostatic discharges	15kV air discharge	Dimensions (WxHxD)	"A" and "B" type modules: 89.5x63x16mm.
Immunity to irradiated	Test with current: 10V/m from 80 to 2000MHz		"C" type module: 89.5x63x20mm.
Electromagnetic fields	Test without any current: 30V/m from 80 to 2000MHz	Max. depth behind the panel	With 3 modules (A+B+C): 81.7 mm
Burst	On current and voltage measuring inputs circuit: 4kV	Material	ABS, self-extinguishing: UL 94 V-0
Immunity to conducted disturbances	10V/m from 150KHz to 80MHz	Mounting	Panel mounting
Surge	On current and voltage measuring inputs circuit: 4kV; on "L" auxiliary power supply input: 1kV	Protection degree	Front Screw terminals
Radio frequency suppression	According to CISPR 22	Weight	IP65, NEMA4x, NEM12 IP20 Approx. 400 g (packing included)

Power supply specifications

Auxiliary power supply	H: 90 to 265VAC/DC; L: 19 to 60VAC/DC (48 to 62Hz)	Power consumption	AC: 20 VA; DC: 10 W
Auxiliary power supply according to UL	100 to 240VAC +10% -15% 100 to 240VDC +10% -20% 24 to 48VAC +10% -15% 24 to 48VDC +10% -20%		

Insulation between inputs and outputs

	Measuring Inputs	Relay outputs	Static Outputs	Communication port	Analogue Outputs	Digital input	Auxiliary power supply
Measuring Inputs	-	4kV	4kV	4kV	4kV	4kV	4kV
Relay outputs	4kV	2kV	NA	4kV	4kV	4kV	4kV
Static Outputs	4kV	NA	2kV	4kV	4kV	4kV	4kV
Communication port	4kV	4kV	4kV	-	4kV	4kV	4kV
Analogue Outputs	4kV	4kV	4kV	4kV	0kV	4kV	4kV
Digital input	4kV	4kV	4kV	4kV	4kV	-	4kV
Aux. power supply	4kV	4kV	4kV	4kV	4kV	4kV	-

NOTE: in the table “NA” means combination of modules not allowed. All the models have, mandatory, to be connected to external current transformers because the isolation among the current inputs is just functional (100VAC).

List of the variables that can be connected to:

- Communication port (all listed variables)
- Analogue outputs (all variables with the only exclusion of “totalizers” and “run hour counter”)
- Pulse outputs (only “energies”)
- Alarm outputs (“totalizers”, “hour counter” and “max” excluded)

No	Variable	1-ph. sys	2-ph. sys	3-ph. 3/4-wire balanced sys	3-ph. 2-wire balanced sys	3-ph. 3-wire unbal. sys	3-ph. 4-wire unbal. sys	Notes
1	VL-N sys	O	X	X	X	#	X	sys= system= \sum (1)(2)(3)
2	VL1	X	X	X	X	#	X	(1)(2)(3)
3	VL2	O	X	H	H	#	X	(1)(2)(3), (H)=VL1
4	VL3	O	O	H	H	#	X	(1)(2)(3), (H)=VL1
5	VL-L sys	#	X	X	X	X	X	sys= system= \sum (1)
6	VL1-2	#	X	X	P	X	X	(1)(2)(3), (P)=VL1*1.73
7	VL2-3	#	O	X	P	X	X	(1)(2)(3), (P)=VL1*1.73
8	VL3-1	#	O	X	P	X	X	(1)(2)(3), (P)=VL1*1.73
9	AL1	X	X	X	X	X	X	(1)(2)(3)
10	AL2	O	X	R	R	X	X	(1)(2)(3), (R)=AL1
11	AL3	O	O	R	R	X	X	(1)(2)(3), (R)=AL1
12	VA sys	O	X	X	X	#	X	sys= system= \sum (1)(2)(3)
13	VA L1	X	X	X	X	#	X	(1)(2)(3)
14	VA L2	O	X	X	X	#	X	(1)(2)(3)
15	VA L3	O	O	X	X	#	X	(1)(2)(3)
16	var sys	O	X	X	X	#	X	sys= system= \sum (1)(2)(3)
17	var L1	X	X	X	X	#	X	(1)(2)(3)
18	var L2	O	X	X	X	#	X	(1)(2)(3)
19	var L3	O	O	X	X	#	X	(1)(2)(3)
20	W sys	O	X	X	X	X	X	sys= system= \sum (1)(2)(3)
21	WL1	X	X	X	X	#	X	(1)(2)(3)
22	WL2	O	X	S	S	#	X	(1)(2)(3), (S)=WL1
23	WL3	O	O	S	S	#	X	(1)(2)(3), (S)=WL1
24	PF sys	O	X	X	X	#	X	sys= system= \sum (1)
25	PF L1	X	X	X	X	#	X	(1)(2)(3)
26	PF L2	O	X	T	T	#	X	(1)(2)(3), (T)=PFL1
27	PF L3	O	O	T	T	#	X	(1)(2)(3), (T)=PFL1
28	Hz	X	X	X	X	X	X	(1)(2)(3)
29	Phase seq.	O	O	X	O	X	X	

(X) = available; (O) = not available (variable not available on the display); (#) Not available (the relevant page is not displayed)
 (1) Min. and Max. and average value with data storage; (2) “dmd” calculation and data storage; (3) “dmd-max” calculation and data storage; (5) On 4 quadrants (ind/cap); (6) C1, C2 and C3 may be set as either cold water, hot water, remote heating or gas depending on the input configuration.

List of the variables that can be connected to (cont.):

- Communication port (all listed variables)
- Analogue outputs (all variables with the only exclusion of “energies” and “run hour counter”)
- Pulse outputs (only “energies”)
- Alarm outputs (“energies”, “hour counter” and “max” excluded)

No	Variable	1-ph. sys	2-ph. sys	3-ph. 3/4-wire balanced sys	3-ph. 2-wire balanced sys	3-ph. 3-wire unbal. sys	3-ph. 4-wire unbal. sys	Notes
30	Asy VLL	O	X	X	O	X	X	Asymmetry
31	Asy VLN	O	O	O	O	O	X	Asymmetry
32	Run Hours	X	X	X	X	X	X	
33	kWh (+)	X	X	X	X	X	X	Total
34	kvarh (+)	X	X	X	X	#	X	Total (5)
35	kWh (+)	X	X	X	X	X	X	Partial or by tariff
36	kvarh (+)	X	X	X	X	#	X	Partial or by tariff (5)
37	kWh (-)	X	X	X	X	X	X	Total
38	kvarh (-)	X	X	X	X	#	X	Total (5)
39	kWh (-)	X	X	X	X	X	X	Partial
40	kvarh (-)	X	X	X	X	#	X	Partial (5)
41	C1 (input 4)	X	X	X	X	X	X	Total (6)
42	C2 (input 5)	X	X	X	X	X	X	Total (6)
43	C3 (input 6)	X	X	X	X	X	X	Total (6)
44	Trip counter							Total
45	kWh Water	X	X	X	X	X	X	Total
46	A L1 THD	X	X	X	X	X	X	(1) (2) (3) (4)
47	A L2 THD	O	X	F	F	X	X	(1)(2)(3)(4), (F)=AL1THD
48	A L3 THD	O	O	F	F	X	X	(1)(2)(3)(4), (F)=AL1THD
49	V L1 THD	X	X	X	X	#	X	(1)(2)(3)(4)
50	V L2 THD	O	X	X	G	#	X	(1)(2)(3)(4), (G)=VL1THD
51	V L3 THD	O	O	X	G	#	X	(1)(2)(3)(4), (G)=VL1THD
52	V L1-2 THD	#	X	X	#	X	X	(1) (2) (3) (4)
53	V L2-3 THD	#	O	X	#	X	X	(1) (2) (3) (4)
54	V L3-1 THD	#	O	X	#	X	X	(1) (2) (3) (4)
55	AL 1 TDD	X	X	X	X	X	X	(1) (2) (3) (4)
56	AL 2 TDD	O	X	X	X	X	X	(1) (2) (3) (4)
57	AL 3 TDD	O	O	X	X	X	X	(1) (2) (3) (4)
58	K-Factor	O	O	X	X	X	X	(1) (2) (3) (4)

(X) = available; (O) = not available (variable not available on the display); (#) Not available (the relevant page is not displayed) (1) Min. and Max. and average value with data storage; (2) “dmd” calculation and data storage; (3) “dmd-max” calculation and data storage; (4) Odd and Even THD’s;

List of selectable applications

	Description	Notes
A	Cost allocation	Imported energy metering
B	Cost control	Imported and partial energy metering and utilities
C	Complex cost allocation	Imported/exported energy (total, partial and tariff) and utilities
D	Solar	Imported and exported energy metering with some basic power analyzer function
E	Complex cost and power analysis	Imported/exported energy (total and partial) and power analysis
F	Cost and power quality analysis	Imported energy and power quality analysis
G	Advanced energy and power analysis for power generation	Complete energy metering and power quality analysis

Display pages

No	Line 1 Variable Type	Line 2 Variable Type	Line 3 Variable Type	Line 4 Variable Type	Line 5 Variable Type	Note	Applications						
							A	B	C	D	E	F	G
0	Total kWh (+)	Programmable				(4)	x	x	x	x	x	x	x
1	Total kWh (+)						x	x	x	x	x	x	
2	Total kvarh (+)						x	x	x	x	x	x	
3	Total kWh (-)								x	x		x	
4	Total kvarh (-)								x	x		x	
5	kWh (+) partial							x	x		x	x	
6	kvarh (+) part.							x	x		x	x	
7	kWh (-) partial								x			x	
8	kvarh (-) part.								x			x	
9	kWh (+) t1								x			x	
10	kWh (+) t2								x			x	
11	kWh (+) t3								x			x	
12	kWh (+) t4								x			x	
13	kWh (+) t5								x			x	
14	kWh (+) t6								x			x	
15	kvarh (+) t1								x			x	
16	kvarh (+) t2								x			x	
17	kvarh (+) t3								x			x	
18	kvarh (+) t4								x			x	
19	kvarh (+) t5								x			x	
20	kvarh (+) t6								x			x	
21	C1					(5)		x	x		x		
22	C2					(5)		x	x		x		
23	C3					(5)		x	x		x		
24	Run Hours (99999999.99)								x	x	x	x	
25	Phase seq.	VLN Σ	VL1	VL2	VL3	(1) (2) (3)				x	x	x	
26	Phase seq.	VLL Σ	VL1-2	VL2-3	VL3-1	(1) (2) (3)				x	x	x	
27	Phase seq.	An	AL1	AL2	AL3	(1) (2) (3)				x	x	x	
28	Phase seq.	Hz	“ASY”	VLL sys (% asy)	VLN sys (% asy)	(1) (2) (3)				x	x	x	
29	Phase seq.	W Σ	WL1	WL2	WL3	(1) (2) (3)				x	x	x	
30	Phase seq.	var Σ	var L1	var L2	var L3	(1) (2) (3)					x	x	
31	Phase seq.	PF Σ	PF L1	PF L2	PF L3	(1) (2) (3)					x	x	
32	Phase seq.	VA Σ	VA L1	VA L2	VA L3	(1) (2) (3)					x	x	
33	Phase seq.			Process sig.	Temperature	(1) (2) (3)						x	
34	Phase seq.		THD V1	THD V2	THD V3	(1) (2) (3)						x	
35	Phase seq.		THD V12	THD V23	THD V31	(1) (2) (3)						x	
36	Phase seq.		THD A1	THD A2	THD A3	(1) (2) (3)						x	
37	Phase seq.		THD V1 odd	THD V2 odd	THD V3 odd	(1) (2) (3)						x	
38	Phase seq.		THD V12 odd	THD V23 odd	THD V31 odd	(1) (2) (3)						x	
39	Phase seq.		THD A1 odd	THD A2 odd	THD A3 odd	(1) (2) (3)						x	
40	Phase seq.		THD V1 even	THD V2 even	THD V3 even	(1) (2) (3)						x	
41	Phase seq.		THD V12 even	THD V23 even	THD V31 even	(1) (2) (3)						x	
42	Phase seq.		THD A1 even	THD A2 even	THD A3 even	(1) (2) (3)						x	
43	Phase seq.		TDD A1	TDD A2	TDD A3	(1) (2) (3)						x	
44	Phase seq.		k-FACT L1	k-FACT L2	k-FACT L3	(1) (2) (3)						x	

(1) Also Minimum value storage

(2) Also Maximum value storage

(3) Also Average (dmd) value storage

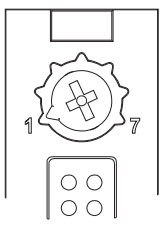
(4) Free configurable page also called “Home” page.

(5) C1, C2 and C3 may be set as either cold water, hot water, remote heating or gas depending on the digital inputs configuration.

Additional available information on the display

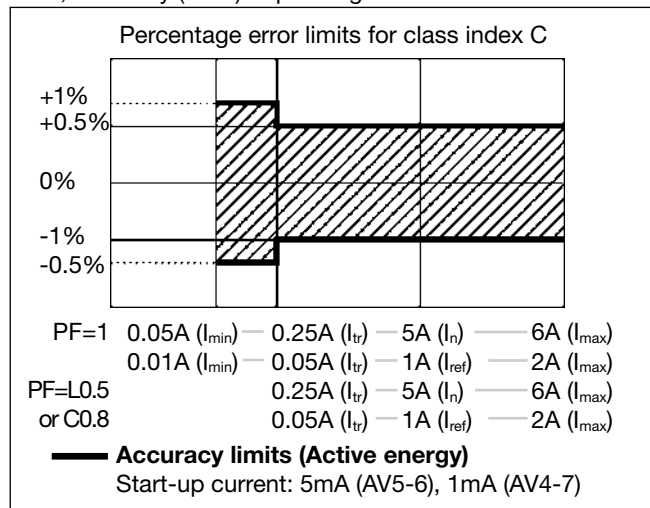
No	8 Line 1	Line 2	Line 3	Line 4	Line 5	Applications						
						A	B	C	D	E	F	G
1	Lot n. (text) xxxx	Yr. (text) xx	rEL	X.xx	1...60 (min) "dmd"	x	x	x	x	x	x	x
2	Conn. xxx.x (3ph.n/3ph/3ph.1/ 3ph.2/1ph/2ph)	CT.rA (text)	1.0 ... 99.99k	PT.rA (text)	1.0...9999	x	x	x	x	x	x	x
3	LED PULSE (text) kWh	xxxx kWh per pulse				x	x	x	x	x	x	x
4	PULSE out1 (text) kWh/kvarh	xxxx kWh/kvarh per pulse	+/- tot/PAr/ tAr 1-2-3-4			x	x	x	x	x	x	x
5	PULSE out2 (text) kWh/kvarh	xxxx kWh/kvarh per pulse	+/- tot/PAr/ tAr 1-2-3-4			x	x	x	x	x	x	x
6	PULSE out3 (text) kWh/kvarh	xxxx kWh/kvarh per pulse	+/- tot/PAr/ tAr 1-2-3-4			x	x	x	x	x	x	x
7	PULSE out4 (text) kWh/kvarh	xxxx kWh/kvarh per pulse	+/- tot/PAr/ tAr 1-2-3-4			x	x	x	x	x	x	x
8	PULSE out5 (text) kWh/kvarh	xxxx kWh/kvarh per pulse	+/- tot/PAr/ tAr 1-2-3-4			x	x	x	x	x	x	x
9	PULSE out6 (text) kWh/kvarh	xxxx kWh/kvarh per pulse	+/- tot/PAr/ tAr 1-2-3-4			x	x	x	x	x	x	x
10	PULSE out7 (text) kWh/kvarh	xxxx kWh/kvarh per pulse	+/- tot/PAr/ tAr 1-2-3-4			x	x	x	x	x	x	x
11	PULSE out8 (text) kWh/kvarh	xxxx kWh/kvarh per pulse	+/- tot/PAr/ tAr 1-2-3-4			x	x	x	x	x	x	x
12	Remote out.	Out 1 (text)	on/oFF	Out 2 (text)	on/oFF	x	x	x	x	x	x	x
13	Remote out.	Out 3 (text)	on/oFF	Out 4 (text)	on/oFF	x	x	x	x	x	x	x
14	Remote out.	Out 5 (text)	on/oFF	Out 6 (text)	on/oFF	x	x	x	x	x	x	x
15	Remote out.	Out 7 (text)	on/oFF	Out 8 (text)	on/oFF	x	x	x	x	x	x	x
16	AL1 OUTx NE/ND	Variable link L 1/2/3	Set1	Set2	(Measurement)				x	x	x	x
17	AL2 OUTx NE/ND	Variable link L 1/2/3	Set1	Set2	(Measurement)				x	x	x	x
18	AL3 OUTx NE/ND	Variable link L 1/2/3	Set1	Set2	(Measurement)				x	x	x	x
19	AL4 OUTx NE/ND	Variable link L 1/2/3	Set1	Set2	(Measurement)				x	x	x	x
20	AL5 OUTx NE/ND	Variable link L 1/2/3	Set1	Set2	(Measurement)				x	x	x	x
21	AL6 OUTx NE/ND	Variable link L 1/2/3	Set1	Set2	(Measurement)				x	x	x	x
22	AL7 OUTx NE/ND	Variable link L 1/2/3	Set1	Set2	(Measurement)				x	x	x	x
23	AL8 OUTx NE/ND	Variable link L 1/2/3	Set1	Set2	(Measurement)				x	x	x	x
24	AL9 OUTx NE/ND	Variable link L 1/2/3	Set1	Set2	(Measurement)				x	x	x	x
25	AL10 OUTx NE/ND	Variable link L 1/2/3	Set1	Set2	(Measurement)				x	x	x	x
26	AL11 OUTx NE/ND	Variable link L 1/2/3	Set1	Set2	(Measurement)				x	x	x	x
27	AL12 OUTx NE/ND	Variable link L 1/2/3	Set1	Set2	(Measurement)				x	x	x	x
28	AL13 OUTx NE/ND	Variable link L 1/2/3	Set1	Set2	(Measurement)				x	x	x	x
29	AL14 OUTx NE/ND	Variable link L 1/2/3	Set1	Set2	(Measurement)				x	x	x	x
30	AL15 OUTx NE/ND	Variable link L 1/2/3	Set1	Set2	(Measurement)				x	x	x	x
31	AL16 OUTx NE/ND	Variable link L 1/2/3	Set1	Set2	(Measurement)				x	x	x	x
32	Analogue 1	Hi:E	0.0 ... 9999	Hi.A	0.0 ... 100.0%				x	x	x	x
33	Analogue 2	Hi:E	0.0 ... 9999	Hi.A	0.0 ... 100.0%				x	x	x	x
34	Analogue 3	Hi:E	0.0 ... 9999	Hi.A	0.0 ... 100.0%				x	x	x	x
35	Analogue 4	Hi:E	0.0 ... 9999	Hi.A	0.0 ... 100.0%				x	x	x	x
36	Optical	bdr (text)	9.6/19.2/ 38.4/115.2			x	x	x	x	x	x	x
37	COM port	Add (text)	xxx (address)	bdr (text)	9.6/19.2/ 38.4/115.2	x	x	x	x	x	x	x
38	IP address	XXX	XXX	XXX	XXX	x	x	x	x	x	x	x
39	xx.xx.xx xx:xx	Date	Time			x	x	x	x	x	x	x
40	Event page Date Time								x	x	x	x

Back protection rotary switch

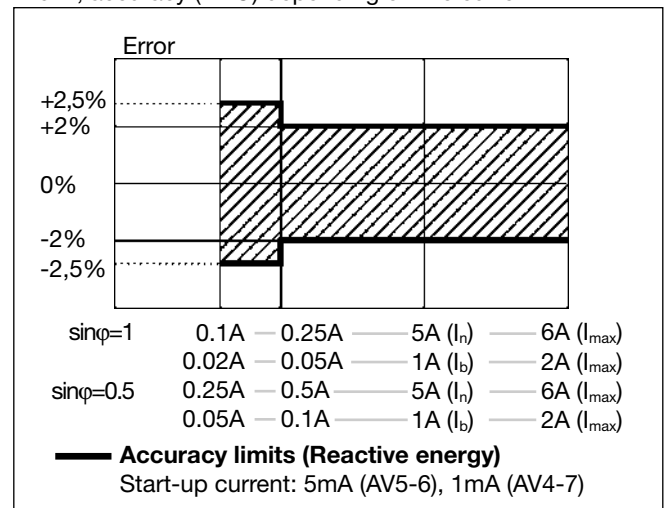
	Function	Rotary switch position	Description
	Unlock	1	All programming parameters are freely modifiable by means of the front key-pad and by means of the communication port.
	Lock	7	The key-pad, as far as programming is concerned and the data through the serial communication cannot be changed (no writing into meter allowed). Data reading is allowed.

Accuracy (According to EN50470-3 and EN62053-23)

kWh, accuracy (RDG) depending on the current



kvarh, accuracy (RDG) depending on the current



Used calculation formulas

Phase variables

Instantaneous effective voltage

$$V_{1N} = \sqrt{\frac{1}{n} \cdot \sum_1^n (V_{1N})_i^2}$$

Instantaneous active power

$$W_1 = \frac{1}{n} \cdot \sum_1^n (V_{1N})_i \cdot (A_1)_i$$

Instantaneous power factor

$$\cos\phi_1 = \frac{W_1}{VA_1}$$

Instantaneous effective current

$$A_1 = \sqrt{\frac{1}{n} \cdot \sum_1^n (A_1)_i^2}$$

Instantaneous apparent power

$$VA_1 = V_{1N} \cdot A_1$$

Instantaneous reactive power

$$\text{var}_1 = \sqrt{(VA_1)^2 - (W_1)^2}$$

System variables

Equivalent three-phase voltage

$$V_\Sigma = \frac{V_1 + V_2 + V_3}{3} \cdot \sqrt{3}$$

Voltage asymmetry

$$ASY_{LL} = \frac{(V_{LLmax} - V_{LLmin})}{V_{LL\Sigma}}$$

$$ASY_{LN} = \frac{(V_{LNmax} - V_{LNmin})}{V_{LN\Sigma}}$$

Three-phase reactive power

$$\text{var}_\Sigma = (\text{var}_1 + \text{var}_2 + \text{var}_3)$$

Three-phase active power

$$W_\Sigma = W_1 + W_2 + W_3$$

Three-phase apparent power

$$VA_\Sigma = \sqrt{W_\Sigma^2 + \text{var}_\Sigma^2}$$

Total harmonic distortion

$$THD_N = 100 \cdot \frac{\sqrt{\sum_{n=2}^N |X_n|^2}}{|X_1|}$$

Three-phase power factor

$$\cos\phi_\Sigma = \frac{W_\Sigma}{VA_\Sigma} \quad (\text{TPF})$$

Energy metering

$$k \text{ var hi} = \int_{t_1}^{t_2} Q_i(t) dt \cong \Delta t \sum_{n_1}^{n_2} Q_{nj}$$

$$kWh_i = \int_{t_1}^{t_2} P_i(t) dt \cong \Delta t \sum_{n_1}^{n_2} P_{nj}$$

Where:

i= considered phase (L1, L2 or L3)
P= active power; **Q**= reactive power;
t₁, **t₂**= starting and ending time points of consumption recording; **n**= time unit; **Δt**= time interval between two successive power consumption;
n₁, **n₂**= starting and ending discrete time points of consumption recording



Wm40Soft parameter progr. and var. reading software

Wm40Soft

Multi-language software (Italian, English, French, German, Spanish) for variable reading, instrument calibration and parameters programming. The program runs under Windows 98/98SE/2000/NT/XP/Vista. Three different working modes can be selected:

- management of local RS232 (MODBUS);

Data Storing

Data Transfer

- management of local optical port (MODBUS);
- management of a local RS485 network (MODBUS);

In pre-formatted XLS files (Excel data base). Manual or automatic at programmable intervals.

Working mode

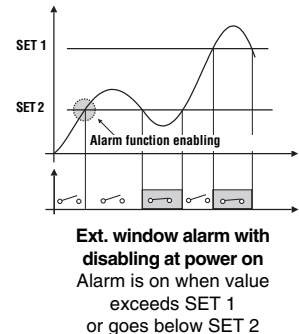
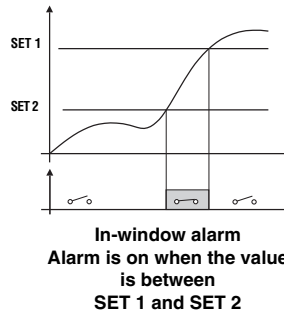
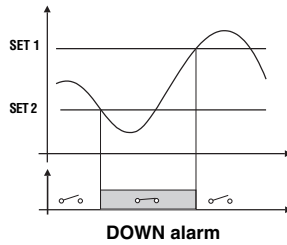
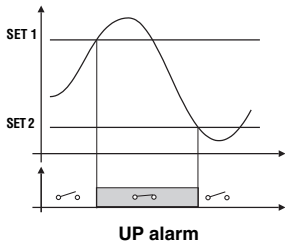
Alarm parameters and logic (programmable only by means of Wm40Soft)



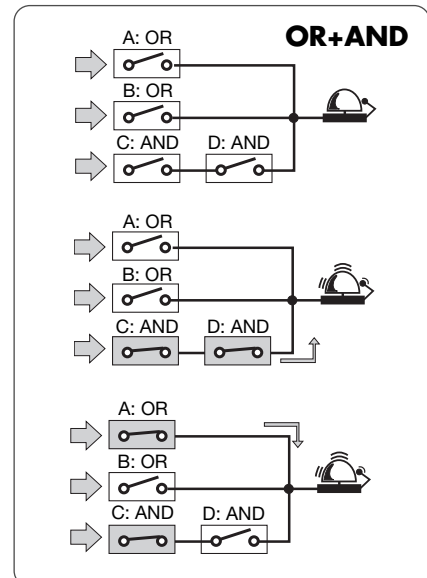
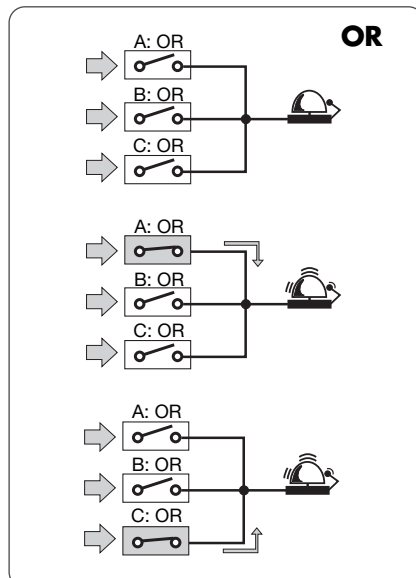
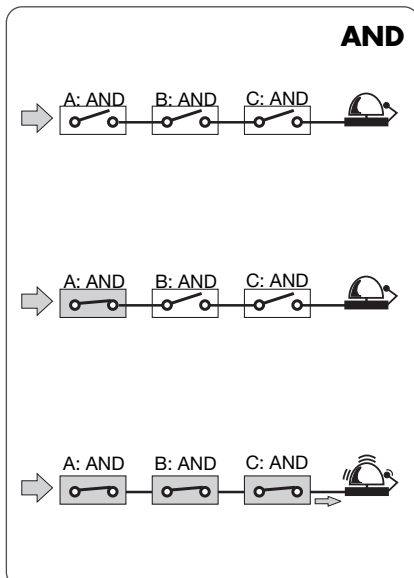
Each symbol includes all the settings described in the "alarm" paragraph and listed on the right:

- Enable.
- Variable
- Type
- Latch
- Disable
- Set 1
- Set 2
- OUT
- Delay on. Delay off.
- Function (and/or)

A, B, C... up to 16 locks to control parameters.



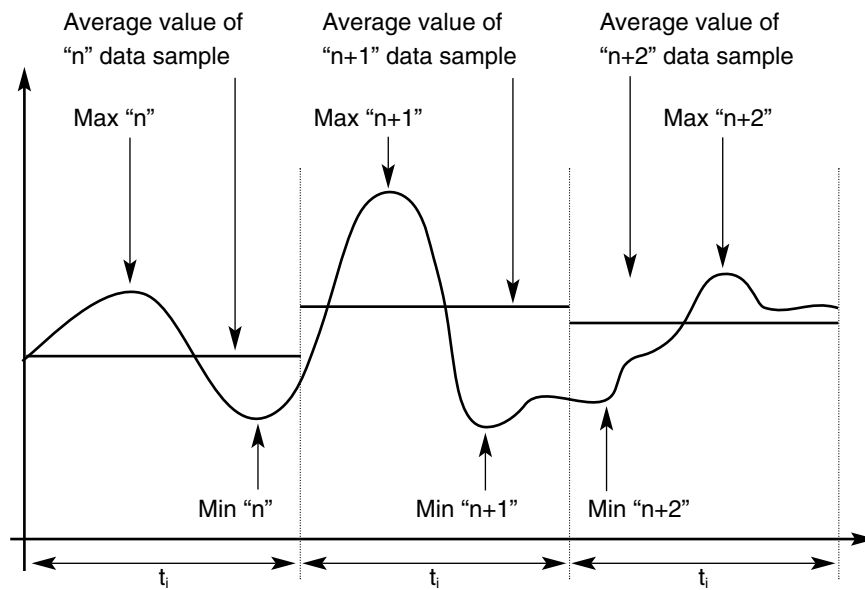
Example of AND/OR logic alarm:



Historical data storing time table

Time interval (minutes)	4 selected variables			8 selected variables			12 selected variables			20 selected variables		
	Data storing time			Data storing time			Data storing time			Data storing time		
	Days	Week	Year	Days	Week	Year	Days	Week	Year	Days	Week	Year
1	32	5	-	19	3	-	15	2	-	8	1	-
5	161	23	-	97	14	-	73	10	-	40	6	-
10	323	46	-	194	28	-	145	21	-	81	12	-
15	484	69	1.3	291	42	-	218	31	-	121	17	-
20	646	92	1.8	388	55	1.1	291	42	-	161	23	-
30	969	138	2.7	581	83	1.6	436	62	1.2	242	35	-
45	1453	208	4	872	125	2.4	654	93	1.8	363	52	1
60	1938	277	5.3	1163	166	3.2	872	125	2.4	484	69	1.3

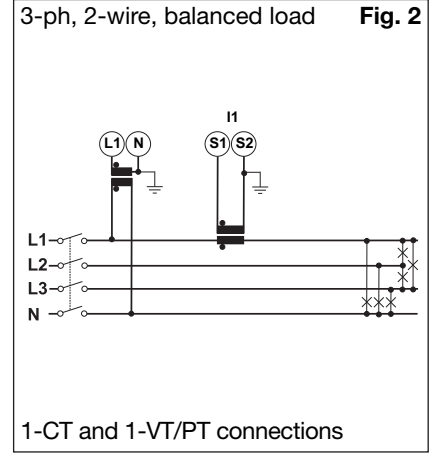
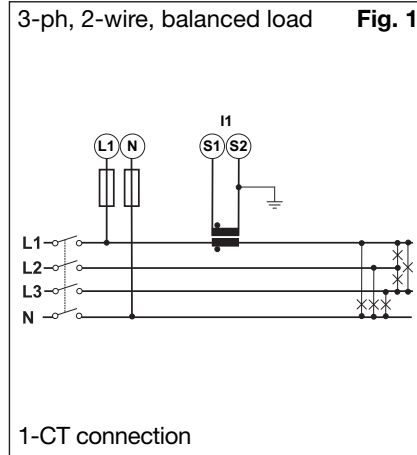
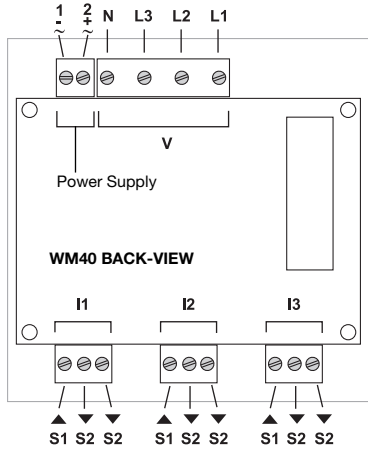
The working of data logging



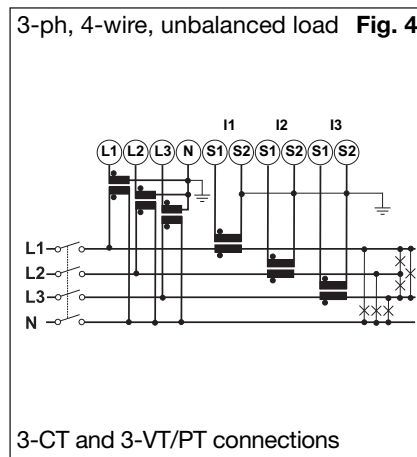
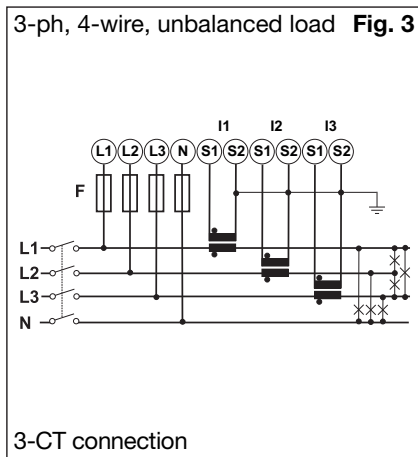
t_i = time interval

Wiring diagrams

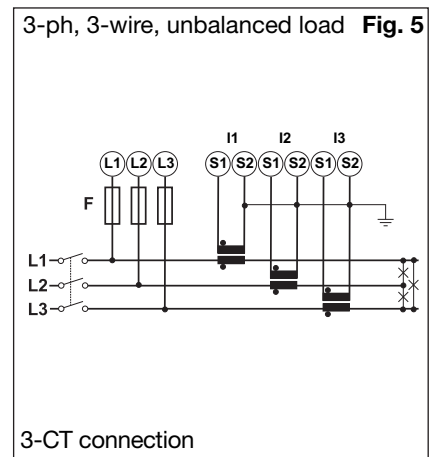
System type selection: 3-Ph.2



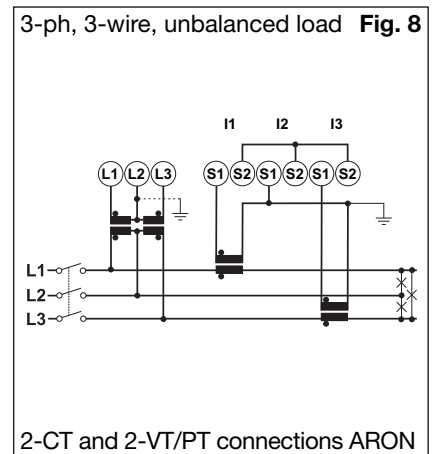
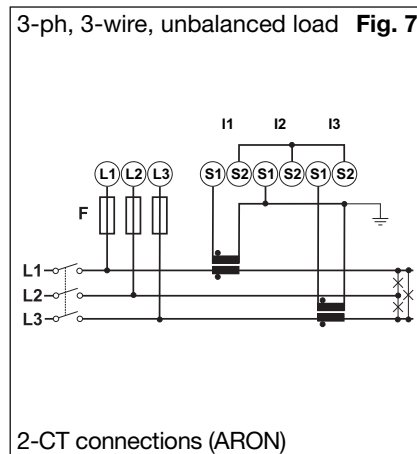
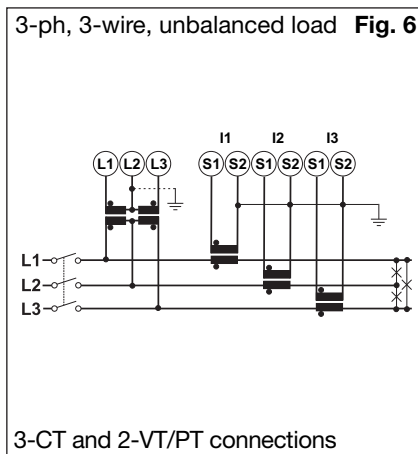
System type selection: 3-Ph.n



System type selection: 3-Ph

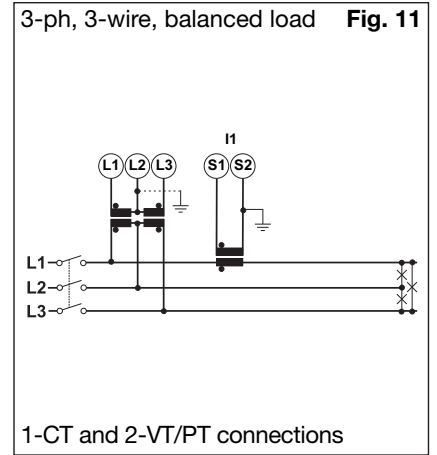
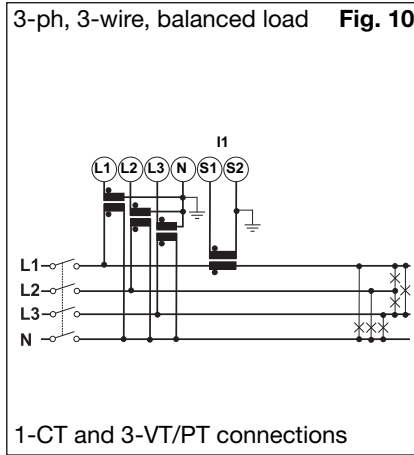
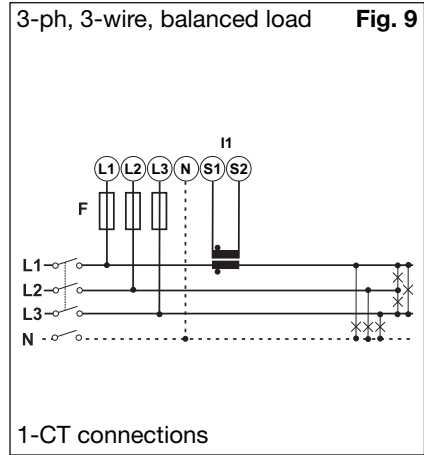


System type selection: 3-Ph (cont.)

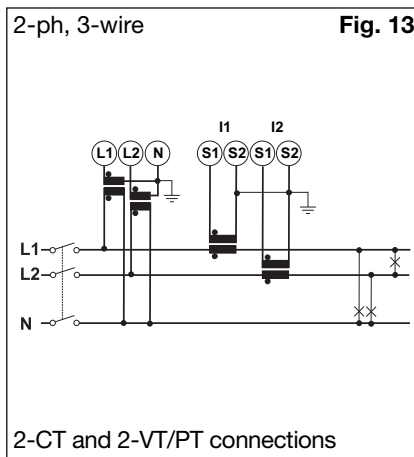
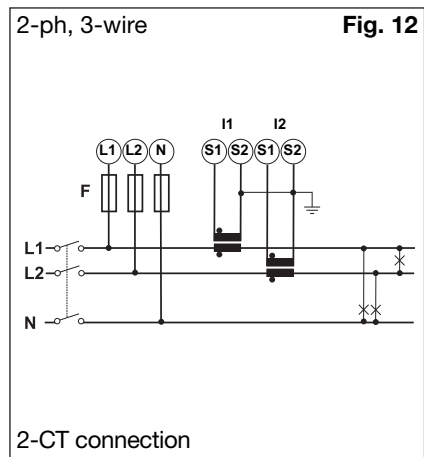


Wiring diagrams

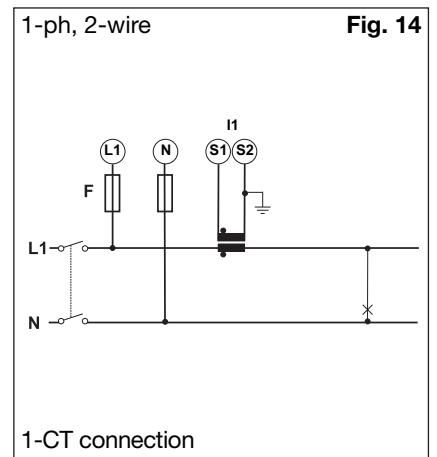
System type selection: 3-Ph.1



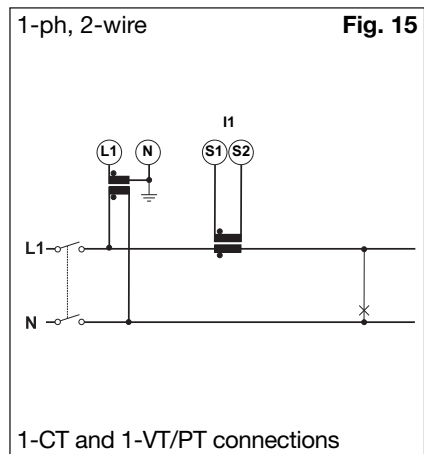
System type selection: 2-Ph



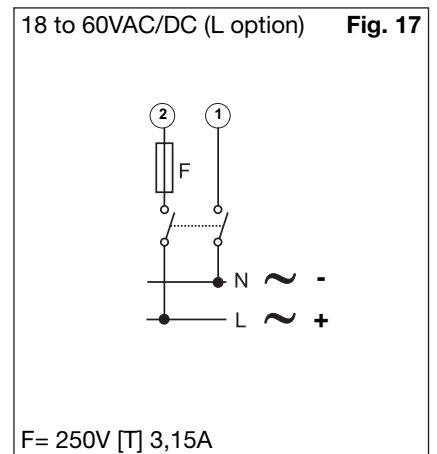
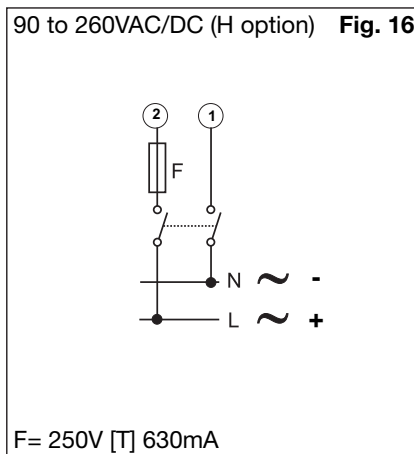
System type selection: 1-Ph



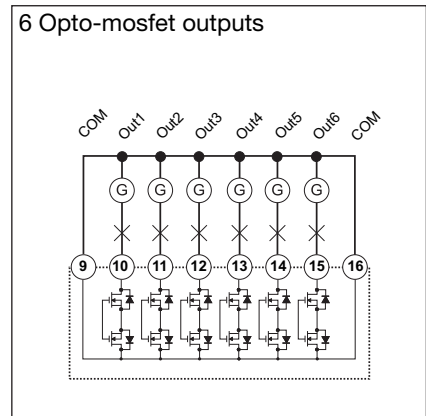
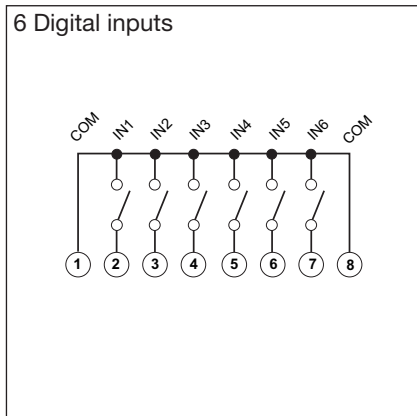
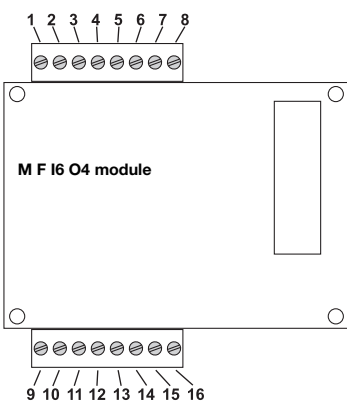
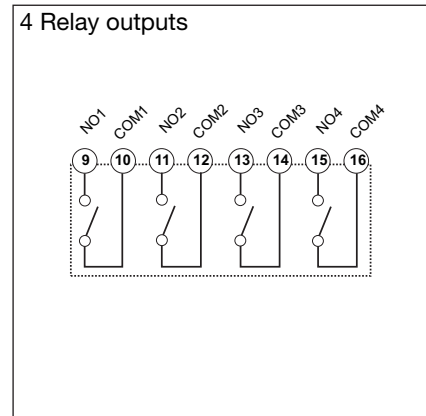
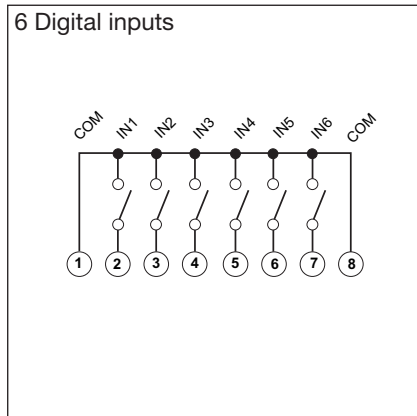
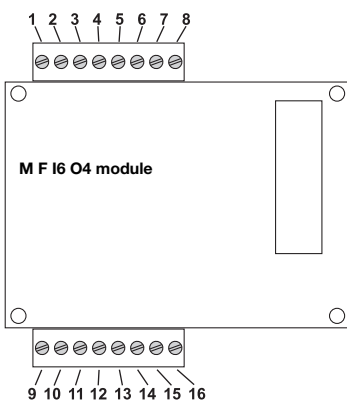
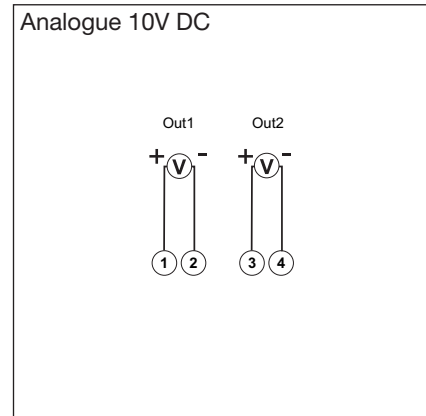
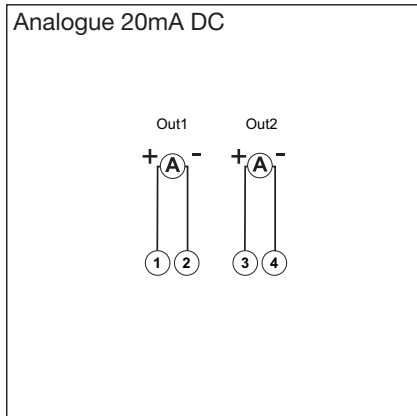
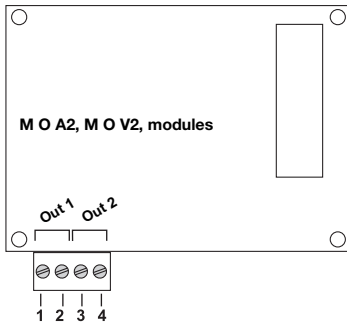
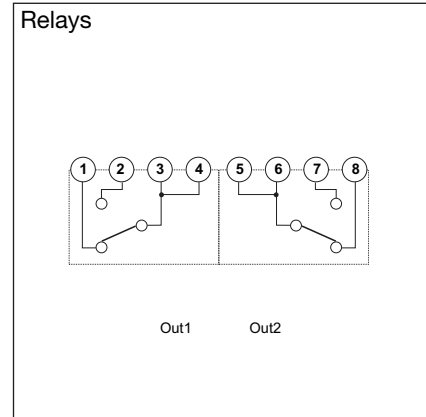
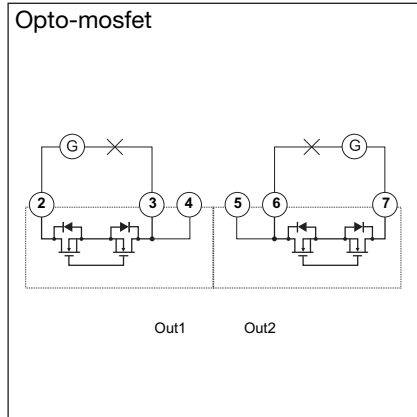
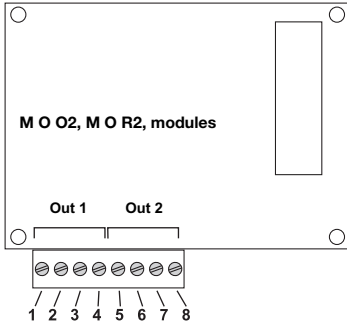
System type selection: 1-Ph (cont.)



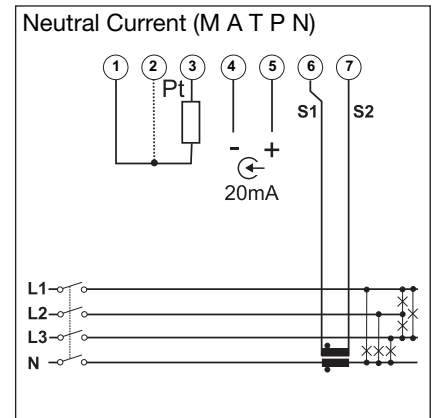
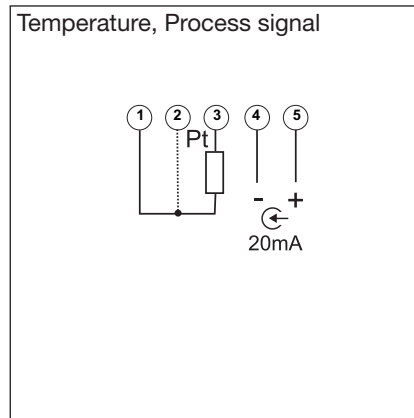
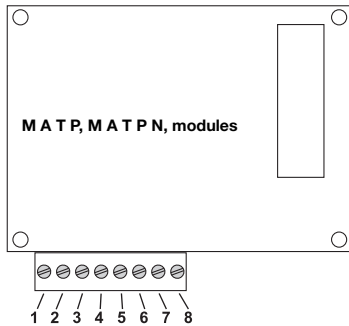
Power Supply



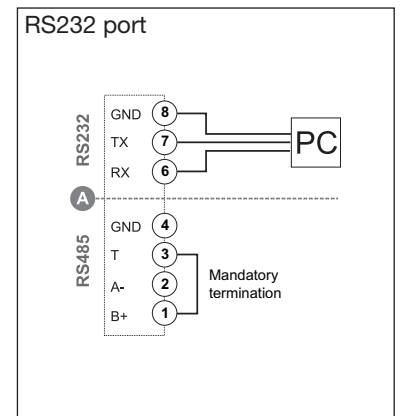
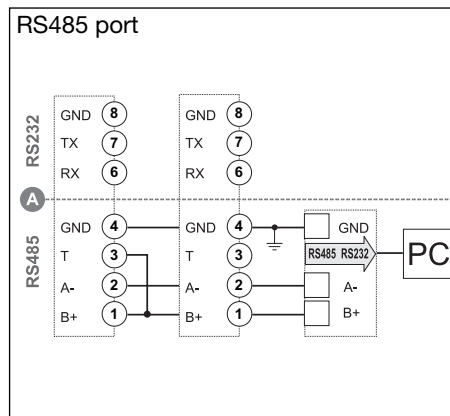
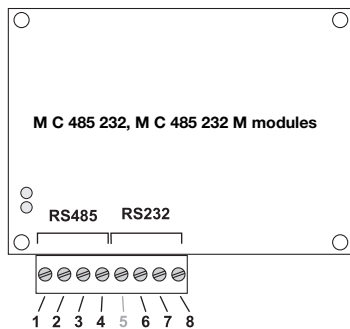
Static, relay, analogue out. and digital in. wiring diagrams



Temperature, process signal and true In wiring diagrams

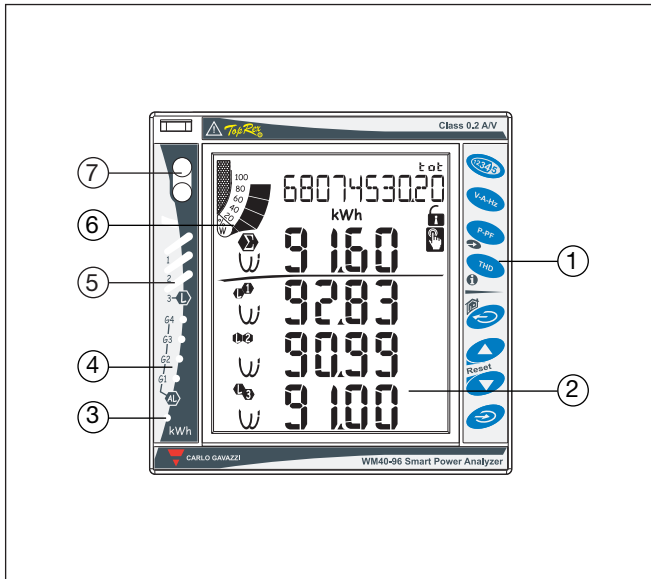


RS485 and RS232 wiring diagrams



NOTE. RS485: additional devices provided with RS485 are connected in parallel. The termination of the serial output is carried out only on the last instrument of the network, by means of a jumper between (B+) and (T). **A**: the communication RS232 and RS485 ports **can't be** connected and used simultaneously.

Front panel description



1. **Key-pad**
To program the configuration parameters and scroll the variables on the display.
2. **Display**
LCD-type with alphanumeric indications to:
 - display configuration parameters;
 - display all the measured variables.
3. **kWh LED**
Red LED blinking proportional to the energy being measured.
4. **Alarm LED's**
Red LED's light-on when virtual alarms are activated.
5. **Multiple bar-graph**
To show at a glance the status of the single phases L1-L2-L3.
6. **Main bar-graph**
To display the power consumption versus the installed power.
7. **Optical communication port**
To program the working parameters, to read the measurements and to download the stored data.

Dimensions and Panel cut-out

