

Hour meter

24 x 48 digital hours meters

Types FSA01, FSA02

CARLO GAVAZZI



- 8-digit LCD display
- 8 mm digits
- Reset button with locking function
- 8 years battery lifetime
- Electrical or manual reset input
- Setting time mode (through electrical control)
- For front panel mounting
- 24 x 48 mm housing

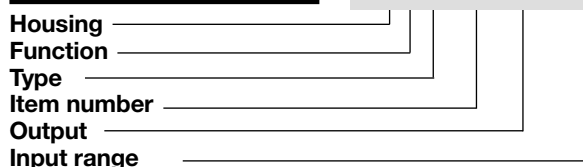
Product Description

24 x 48 mm hour meters for flush mounting. 10 to 260 V AC or DC input. The front key, which can be locked, allows fast and easy input

reset. NPN input to set the time range (Mode) and to enable the device reset.

Ordering Key

FSA 01 X W24



Type Selection

Mounting	Input	Housing	Model	Time range
Front panel	10 to 260 V DC/AC	24 x 48 mm	FSA01XW24	99999h 59m or 99999.99h
Front panel	10 to 260 V DC/AC	24 x 48 mm	FSA02XW24	9999h 59m 59s or 9999999.99s

General Specifications

Power supply	Non-replaceable lithium battery (lifetime up to 8 years at 20°C)
Display	
Counting range	0 to 99999999 (with zero suppression)
Digit height	8 mm
Environment	(EN 60529)
Degree of protection	IP 65 front
Pollution degree	2
Operating temperature	-10° to +55°C, R.H.<85%
Storage temperature	-20° to +70°C
Weight	50 g
Panel cut out	22,2 ^{+0,3} x 45 ^{+0,6} mm
Screw terminals	
Tightening torque	Max. 0.5 Nm according to IEC EN 60947
Accuracy	<100 ppm
CE Marking	Yes
EMC	
Immunity	Electromagnetic Compatibility According to EN 61000-6-2
Emission	According to EN 55011 ClassB

Input Specifications

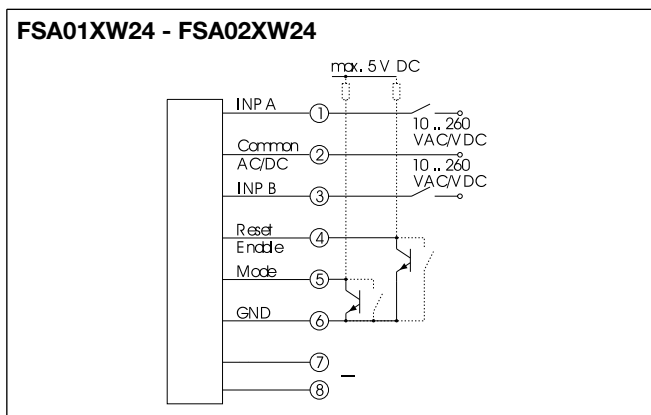
Input timer	
Input type	Optocoupler (10 to 260 V AC/DC)
Low level	0 to 2 V AC/DC
High level	10 to 260 V AC/DC
Input resistance	≈160 kΩ
Reset	
Input type	Optocoupler (10 to 260 V AC/DC)
Low level	0 to 2V AC/DC
High level	10 to 260 V AC/DC
Min pulse time	16 ms
Max frequency	30 Hz
Input resistance	≈160 kΩ
Electrical locking of the reset key	
Input type	NPN open collector
Low level	0 to 0,7 VDC
High level	3 to 5 VDC
Input resistance	≈2,2 MΩ
Time range switching	
Input type	NPN open collector
Low level	0 to 0,7 V DC
High level	3 to 30 V DC
Input resistance	≈2,2 MΩ



Pin assignment and adjustable operating modes

Screw terminal	1	2	3	4	5	6	7	8
	INP A	Common	INP B	Reset Enable	Time range control input (Mode)	GND	-	-
FSA01XW24	Timer input	Common connection for INP A and INP B	Reset input	Reset key locking input (NPN)	Not active= 99999h 59m	0 VDC	No function	No function
FSA02XW24					Not active= 9999h 59m 59s			

Wiring Diagram



Dimensions

