

# Extension Modules NE1/4-D, NE1/4-D/230

CARLO GAVAZZI



- 4 NO safety outputs
- 1 NO feedback output
- 24 Vac / Vdc, 110 or 230 Vac power supply
- Suitable for application up to safety category 4 according to EN 954-1
- Approvals:



## Product Description

Extension module according to EN 60204-1, EN202/1 and /2, EN 418, EN 1088 and EN 954-1. The zero delay extension modules increase the number of safety outputs. They must be used in conjunction with

a safety module and allow to keep the same safety category. They also provide a NC feedback output to control the internal force guided relay integrity.

## Ordering Key

**NE1/4-D/230**

Case \_\_\_\_\_  
 Application \_\_\_\_\_  
 Controlled Devices \_\_\_\_\_  
 Safety Outputs \_\_\_\_\_  
 Safety Category \_\_\_\_\_  
 Power Supply \_\_\_\_\_

## Type Selection

Power supply	References
24 VAC/VDC	NE1/4-D
110 VAC	NE1/4-D/110
230 VAC	NE1/4-D/230

## Electrical Specifications

Power supply	NE1/4-D	NE1/4-D/110	NE1/4-D/230
	24 Vac -15/+10% 50-60 Hz	110 Vac -15/+10% 50-60 Hz	230 Vac -15/+10% 50-60 Hz
	24 Vdc -15/+10%		
Power consumption	4 VA / 4 W		
Input current/voltage	150mA @24Vdc, without load		
Safety outputs	4 NO		
Auxiliary outputs	1 NC Relay		

Switching voltage/ current /capability	NE1/4-D	NE1/4-D/110	NE1/4-D/230
	24 Vdc / 6A / 2000 VA	110 Vac / 6A / 2000 VA	230 Vac / 6A / 2000 VA
Contact fuse protection	6 A fast or 4 A delayed		
Insulation voltage	Pollution degree: 2 Overvoltage Cat.: 3/250 V Basis insulation: Overvoltage category: 3/250 V		

## Time Specifications

Delay on energisation	150 ms
Delay on de-energisation	< 30 ms
Channel simultaneity	∞

## Environmental Specifications

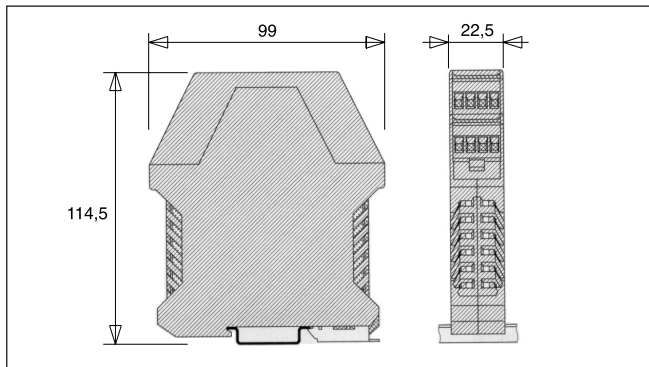
Operating temperature	-25°C to + 55°C
Storage temperature	-25°C to + 65°C

## Mechanical Specifications

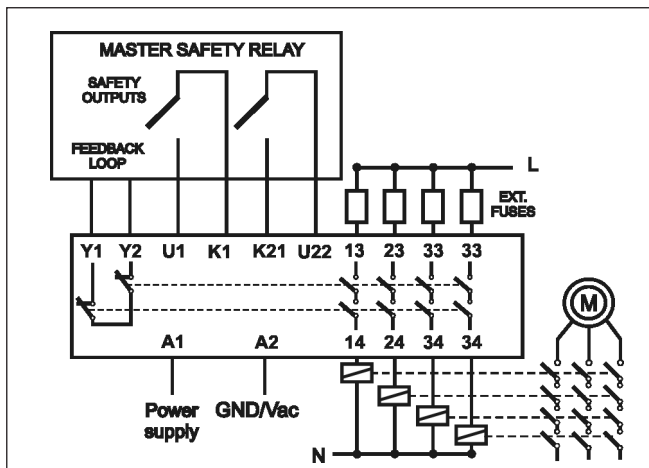
Protection degree terminals	IP 20
Protection degree housing	IP 40
Housing material	Polyamid PA6.6
Housing type	22.5 housing models
Mounting	DIN rail

Max cross section of external conductors	2.5 mm <sup>2</sup> flexible wire 2.5 mm <sup>2</sup> rigid wire
Dimensions (H x W x D)	99x22.5x114.5 mm
Weight	NE1/4-D: 170 g NE1/4-D/110: 240 g NE1/4-D/230: 240 g

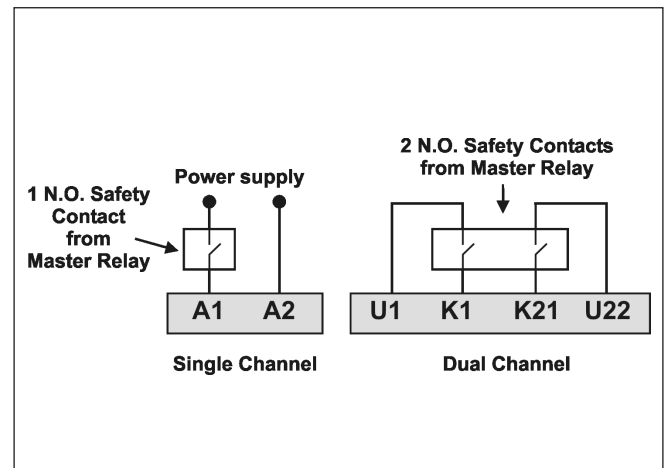
### Dimensions



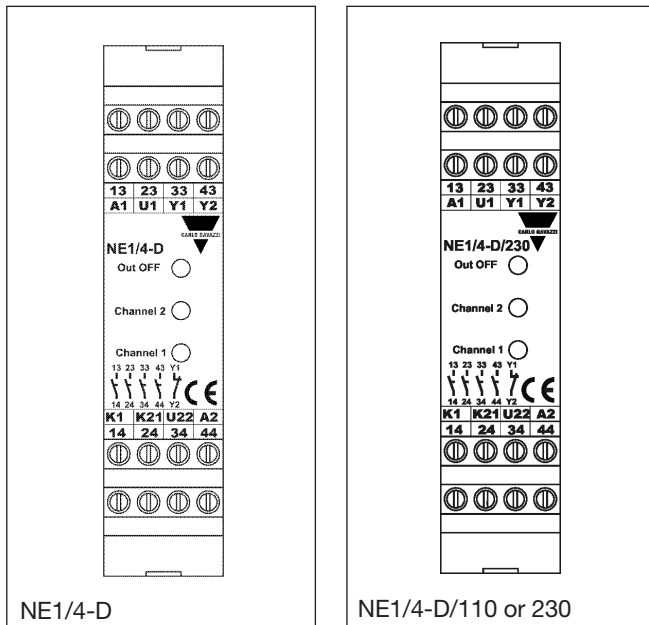
### Wiring Diagrams



### Application



### Connection Sample



### Connections

Terminal Function	Connection
A1	+24 Vdc or AC supply
A2	GND or AC supply
U1-K1	First input channel (N.O. Safety contact from the master relay)
K21-U22	Second input channel (N.O. Safety contact from the master relay)
Y1-Y2	FEEDBACK output (to connect to the master relay)
13-14	First safety output (N.O.)
23-24	Second safety output (N.O.)
33-34	Third safety output (N.O.)
43-44	Fourth safety output (N.O.)