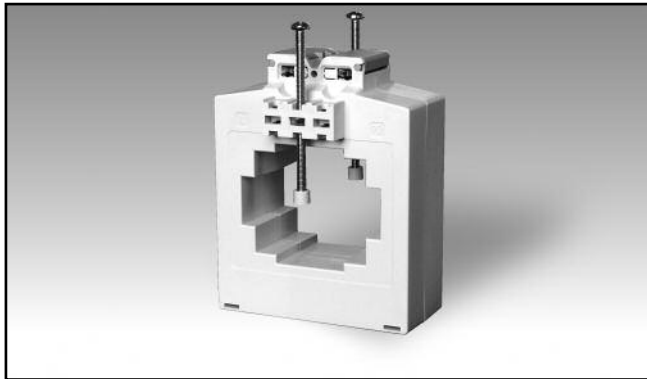


# Accessories

## AC Current Transformer (max 64x20 mm bus-bar)

### Type CTD-4X



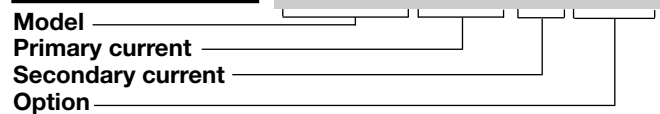
- Bus-bar type current transformer
- 0.5 class, currents from 150 to 1600 A
- Removable panel fixing clips
- Up to 6 Bus-bar isolated fixing screws
- Double screw terminals (up to 8-wire connections)
- Sealable terminal block covers

### Product Description

Cable/Bus-bar type current transformer with DIN-rail/bus-bar and panel mounting facility.

Rated primary currents from 150 A to 1600 A.

### Ordering Key **CTD-4X 1250 5A XXX**



### Optional fixing kit: **CTD-kit**

### Type Selection

Primary current	Secondary current	Option
From 150 to 1600A (Refer to Range Table)	1A 5A	<b>XXX:</b> none <b>XTX:</b> tropicalization <b>2XX:</b> class 0.2S (depending on the primary current)

### Input Specifications

Operating frequency	45 to 65 Hz
Max. system voltage	0.72 kV
Rated insulation level	3 kV/1 min. @ 50 Hz
Insulation class	E (max 75°C)
Short-time current rating $I_{th}$ $I_{dyn}$	Typical 100 $I_n$ / 1 s 2.5 $I_{th}$ The short-time thermal current $I_{th}$ is anyway limited by the cable/bus-bar size
Extended current rating	Refer to Range Table
Security factor (FS)	≤ 5 (Class: 0.5, 1 and 3)

Special features	Six plastic caps for cable/bus-bar fixing screws 1 A secondary current, Class 0.2S Tropicalization
Working temperature	-25°C to: refer to Range Table (-13°F to: refer to Range Table) (R.H. < 90% non condensing @ 40°C)
Storage temperature	-30°C to +70°C (-22°F to 158°F) (R.H. < 90% non condensing @ 40°C)
Approvals	CE, cURus and CSA
Connection Cable cross section area	Screw type From 1.5 to 6 mm <sup>2</sup> Min/Max screws tightening torque relevant to terminal block screws: From 1 to 2 Nm Max screws tightening torque relevant to the cable/bus-bar fixing screws: 0,3 Nm
Protection degree	IP00 IP20 (with sealable terminal block covers + wire terminals)
Cable diameter	Max. 51 mm
Bus-bar size Horizontal Vertical	Max. 64x20, 51x43 mm Max. 51x31 mm
Weight	From 450 to 700 g

### General Specifications

Standards	According to EN60044-1
Housing	ABS, self-extinguishing: UL 94 V-0
Mounting	Panel mounting
Standard accessories	Two terminal block screws. Two cable/bus-bar fixing screws. Two plastic caps for cable/bus-bar fixing screws. Two panel mounting fixing clips. Two sealable terminal block covers.
Optional accessories	Extended fixing kit: CTD-kit Two panel mounting fixing clips. Six cable/bus-bar fixing screws.

### Output Specifications

Rated secondary current	5 A or 1 A
-------------------------	------------

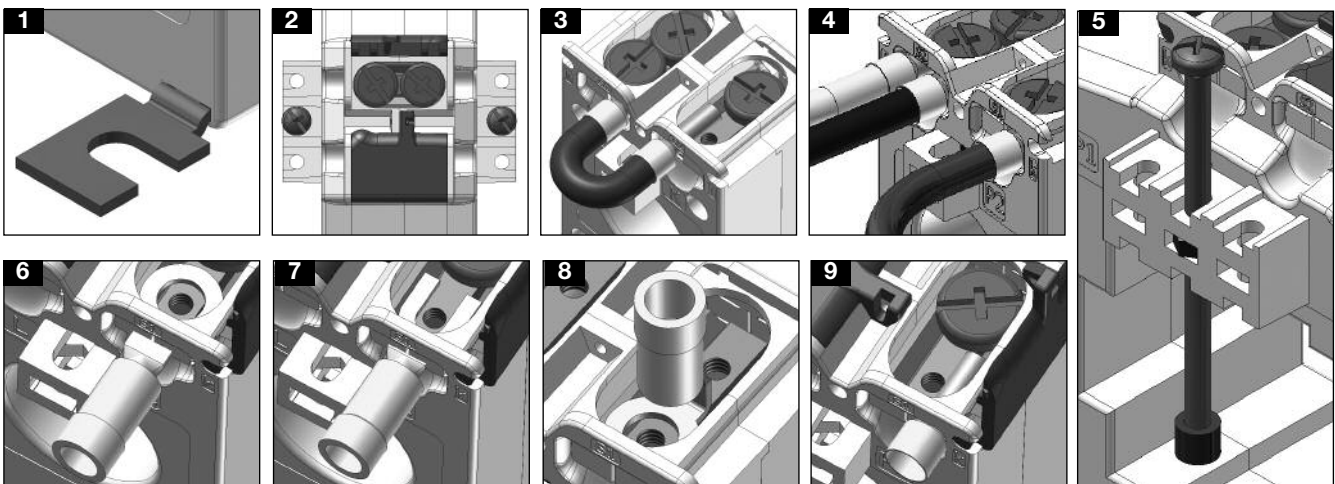
## Range Table

Model CTD-4X from 150A to 700A					
Primary Current	Temperature	Extended current rating	Burden (VA)		
			CL 0.5	CL 1	(CL 3) 5P5
150	(@60°C/140°F)	120%		2.5	(5)
200	(@60°C/140°F)	120%		3.25	(6)
250	(@60°C/140°F)	120%	2.5	4.5	2
30	(@60°C/140°F)	120%	3	4	3
400	(@60°C/140°F)	120%	6	9	3
500	(@60°C/140°F)	120%	10	12.5	4
600	(@60°C/140°F)	120%	11	13.5	4
700	(@60°C/140°F)	120%	12.5	15	5

Model CTD-4X from 750A to 1600A					
Primary Current	Temperature	Extended current rating	Burden (VA)		
			CL 0.5	CL 1	CL 5P5
750	(@50°C/122°F)	120%	13	15.5	5
800	(@50°C/122°F)	120%	14	16.5	5
1000	(@50°C/122°F)	120%	17.5	20	6
1200	(@50°C/122°F)	100% (+)	20	22.5	6
1250	(@50°C/122°F)	100% (+)	20	22.5	6
1500	(@50°C/122°F)	100% (*)	27.5	30	8
1600	(@50°C/122°F)	100% (*)	27.5	30	8

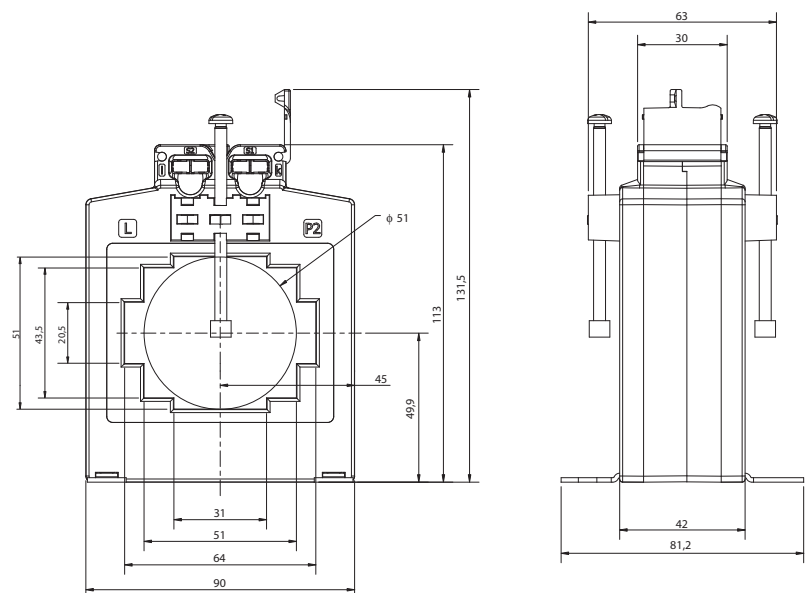
(\*) A max overload of 120% for 1 min. every 30 min. is allowed.  
 (+) A continuous overload of 120% of the range is allowed @ amb. temp. 40°C max.

## Benefits



- Easy and quick mounting on a panel (see figure 1).
- Protection of screw terminals using specific sealable covers to assure always the best safety (see figure 3).
- Bridging of current transformer output without changing the connection of the secondary, so to avoid any output overvoltage during either the maintenance or the installation procedure (see figure 4).
- Easy output and earth connection (see fig. 5).
- Screw terminals compatible with any kind of wire terminals (see figure 6-7-8-9).
- Multiple screws provided with isolation cap screws to grant a strong and reliable fixing of the current transformer to the bus-bar (see figure 10).

## Dimensions (mm)



## Wiring Diagram

