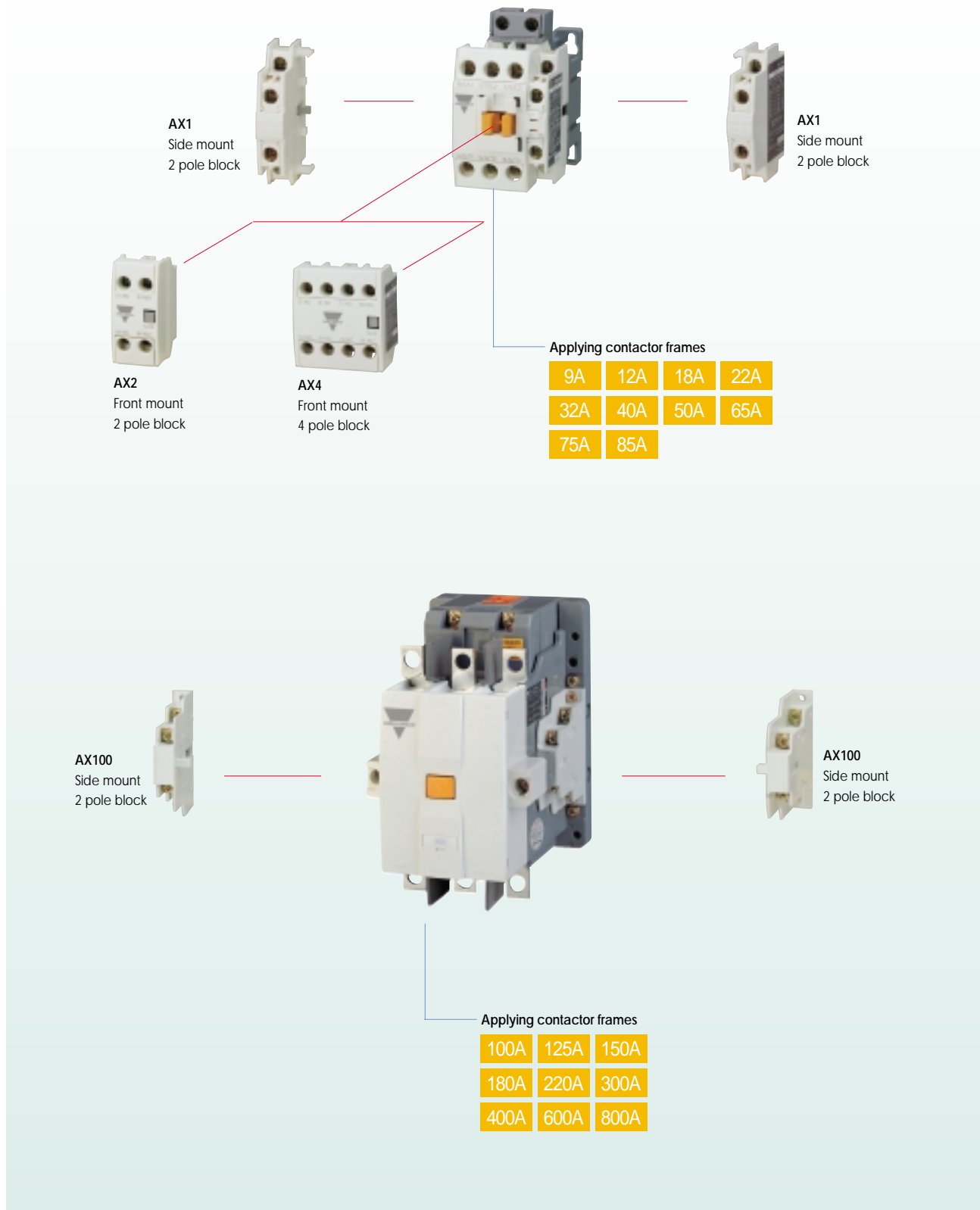


Accessories

Auxiliary contact

Option



Type

Applying contactors	Mounting type	Poles	Composition	Type	
CGC-9 to 85 type (9 to 85A frame)	Front mount	2 pole	2NO	AX2-20	
			2NC	AX2-02	
			1NO+1NC	AX2-11	
			4 pole	4NO	AX4-40
				3NO+1NC	AX4-31
				2NO+2NC	AX--22
				1NO+3NC	AX4-13
				4NC	AX4-04
	Side mount	2 pole	1NO+1NC	AX1-11	
		1NC			
CGC-100 to 800 type (100 to 800A frame)	Side mount	2pole	1NO+1NC	AX100-11	

Contact ratings

		AX2	AX4	AX1	AX100
Continuous current, Ith		16A	16A	16A	16A
AC15 duty (A600)	120V	6A	6A	6A	6A
	240V	3A	3A	5A	5A
	480V	1.5A	1.5A	3A	3A
	600V	2A	2A	3A	3A
DC13 duty (P600)	125V	1.1A	1.1A	1.1A	1.1A
	250V	0.55A	0.55A	0.55A	0.55A
	440V	0.31A	0.31A	0.31A	0.31A
	600V	0.2A	0.2A	0.2A	0.2A

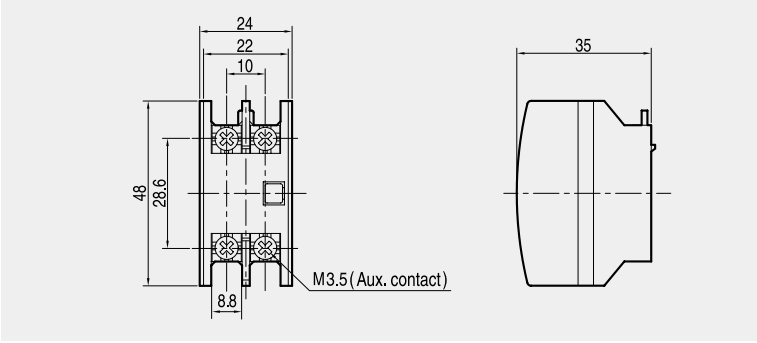
Performance

		AX2	AX4	AX1	AX100
Operation cycles/hour		1800	1800	1800	1800
Mechanical lifetime (mil. operations)		20	20	25	10
Electrical lifetime, (mil. operations)					
AC15 duty	220V	0.5	0.5	0.5	0.5
	440V	0.5	0.5	0.5	0.5
AC12 duty	220V	0.25	0.25	0.25	0.25
	440V	0.25	0.25	0.25	0.25
DC13, 12 duty	24~220V	0.5	0.5	0.5	0.5

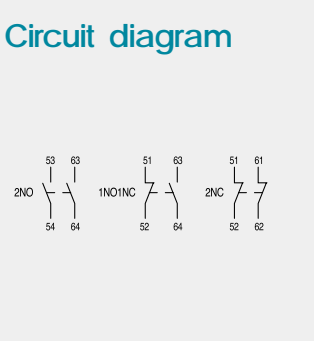
Auxiliary contact blocks, front mount



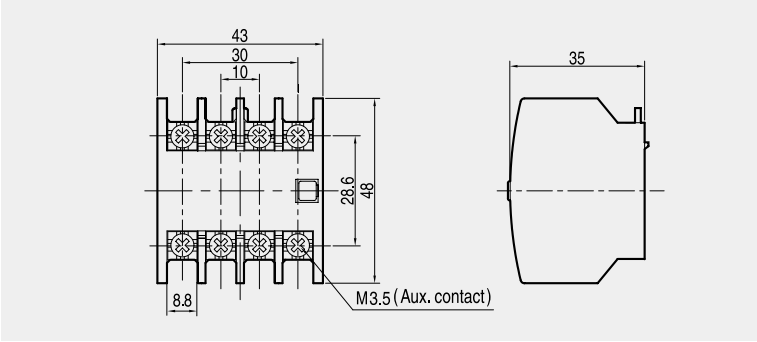
AX2



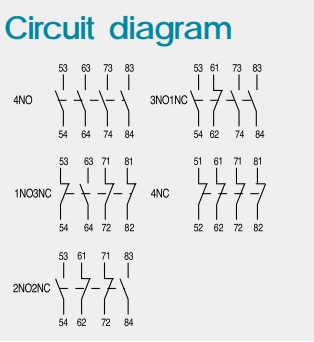
50g



AX4

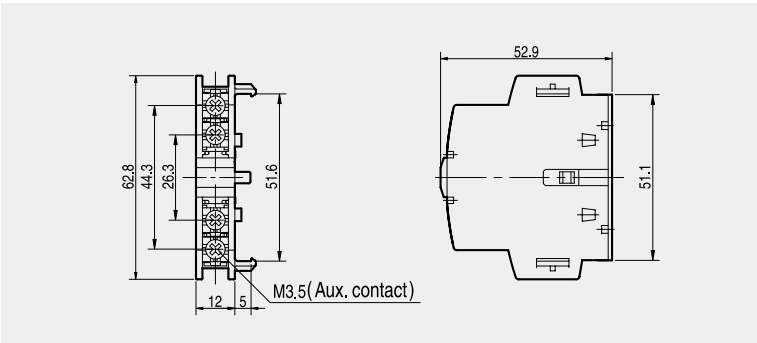


45g

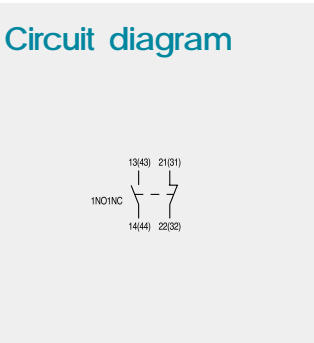


Auxiliary contact blocks, side mount

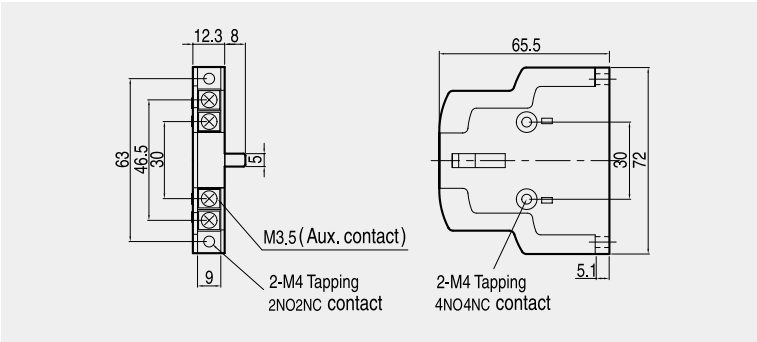
AX1



33g



AX100



45g

