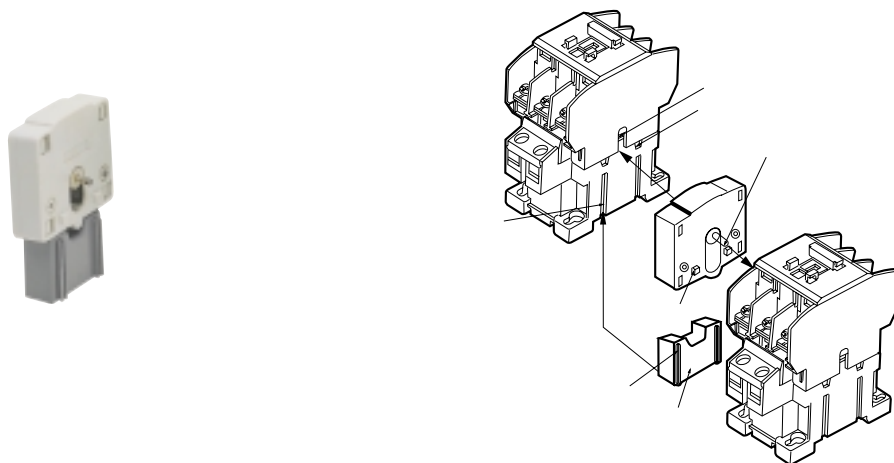


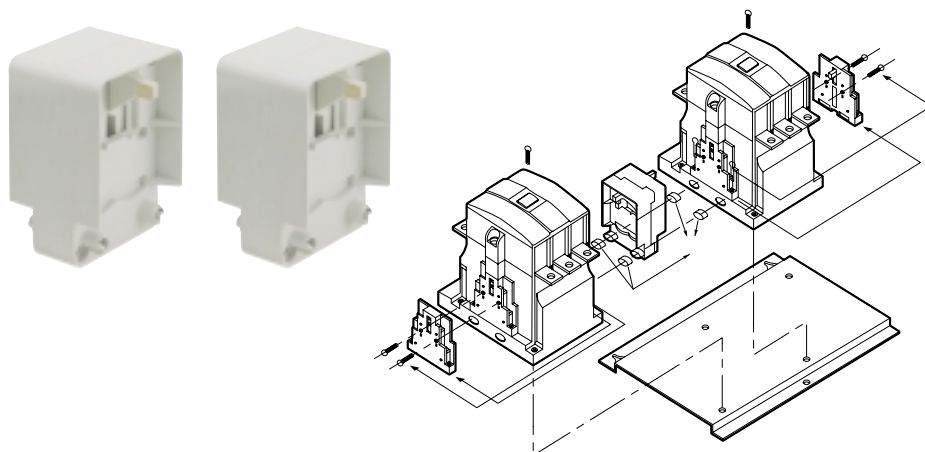
Mechanical interlock, AR-85W

- for contactor frames **9A** **12A** **18A** **22A** **32A** **40A** **50A** **65A** **75A** **85A**



Mechanical interlock, AR-150W and AR-400W

AR-150 W: **100A** **125A** **150A** **AR-400W :** **180A** **220A** **300A** **400A**



Mechanical interlock, AR-800W

- for contactor frames **600A** **800A**

